



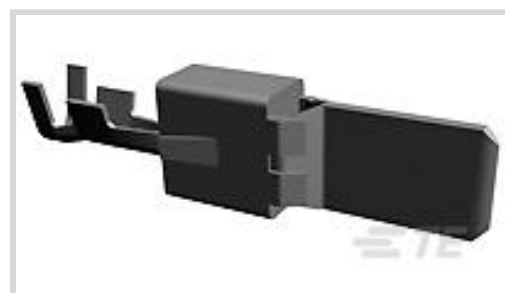
AMP | Timer Connector System

TE Internal #: 963768-2

Automotive Terminals, Tab, Mating Tab Width 9.5 mm [.374 in], Tab Thickness .047 in [1.2 mm], 9 – 7 AWG Wire Size, Timer Connector System

[View on TE.com >](#)

Terminals & Splices > Automotive Terminals > TIMER, RECEPTACLE AND TAB



Terminal Type: **Tab**

Mating Tab Width: **9.5 mm [.374 in]**

Mating Tab Thickness: **1.2 mm [.047 in]**

Terminal Transmits: **41 – 100 A (High Power)**

Wire Size: **9 – 7 AWG**

[All TIMER, RECEPTACLE AND TAB \(344\)](#)

Features

Product Type Features

Receptacle Style	180°
Sealable	No
Primary Locking Feature	Locking Lance

Contact Features

Contact Size	9.5mm
Contact Fabrication	Stamped & Formed
Typical Current Rating	78 A
Crimp Type	F-Crimp
Terminal Type	Tab
Mating Tab Width	9.5 mm[.374 in]
Mating Tab Thickness	1.2 mm[.047 in]
Interface Plating	Tin (Sn)
Contact Termination Area Plating Material	Tin (Sn)

Termination Features

Termination Method to Wire & Cable	Crimp
Product Terminates To	Wire

Dimensions



Wire Size	6 – 10 mm ²
Wire Size Search	7 AWG, 8 AWG, 9 AWG
Tab Length	13.9 mm [.547 in]
Wire Insulation Diameter	4.6 – 6.6 mm [.181 – .26 in]

Usage Conditions

Insulation Option	Uninsulated
Operating Temperature (Max)	80 °C, 85 °C, 90 °C, 100 °C, 105 °C, 110 °C, 120 °C, 125 °C, 130 °C [176 °F][185 °F][194 °F][212 °F][221 °F][230 °F][248 °F][257 °F][266 °F]
Operating Temperature Range	-40 – 130 °C [-40 – 266 °F]

Operation/Application

Compatible With Wire Base Material	Copper
------------------------------------	--------

Industry Standards

Agency/Standard	LV214
-----------------	-------

Packaging Features

Packaging Method	Reel
Packaging Quantity	530

Other

Customer Preferred Contact	No
Terminal Transmits	41 – 100 A (High Power)

Product Compliance

[For compliance documentation, visit the product page on TE.com>](#)

EU RoHS Directive 2011/65/EU	Compliant
EU ELV Directive 2000/53/EC	Compliant
China RoHS 2 Directive MIIT Order No 32, 2016	No Restricted Materials Above Threshold
EU REACH Regulation (EC) No. 1907/2006	Current ECHA Candidate List: JUNE 2022 (224) Candidate List Declared Against: JAN 2022 (223) SVHC > Threshold: Not Yet Reviewed
Halogen Content	Low Halogen - Br, Cl, F, I < 900 ppm per homogenous material. Also BFR/CFR/PVC Free

Solder Process Capability

Not applicable for solder process capability

Product Compliance Disclaimer

This information is provided based on reasonable inquiry of our suppliers and represents our current actual knowledge based on the information they provided. This information is subject to change. The part numbers that TE has identified as EU RoHS compliant have a maximum concentration of 0.1% by weight in homogenous materials for lead, hexavalent chromium, mercury, PBB, PBDE, DBP, BBP, DEHP, DIBP, and 0.01% for cadmium, or qualify for an exemption to these limits as defined in the Annexes of Directive 2011/65/EU (RoHS2). Finished electrical and electronic equipment products will be CE marked as required by Directive 2011/65/EU. Components may not be CE marked. Additionally, the part numbers that TE has identified as EU ELV compliant have a maximum concentration of 0.1% by weight in homogenous materials for lead, hexavalent chromium, and mercury, and 0.01% for cadmium, or qualify for an exemption to these limits as defined in the Annexes of Directive 2000/53/EC (ELV). Regarding the REACH Regulation, the information TE provides on SVHC in articles for this part number is based on the latest European Chemicals Agency (ECHA) 'Guidance on requirements for substances in articles' posted at this URL: <https://echa.europa.eu/guidance-documents/guidance-on-reach>

Compatible Parts



TE Part # 962932-1
MPT REC 9.5 Contact SRC Sn



TE Part # CAT-AM705-T273
AMP MCP, RECEPTACLE AND TAB



TE Part # CAT-AM705-CH8173
AMP MCP, UNSEALED CONNECTOR HOUSING



TE Part # 1-1579007-7
EXTRACTION TOOL



TE Part # 1355290-5
2POS,9.5X1.2,TAB HSG,UNSLD,COD B



TE Part # 1355290-6
2POS,9.5X1.2,TAB HSG,UNSLD,COD C



TE Part # 2-2836360-2
OCEAN_2.0_Applicator-S-200F280F



TE Part # 2836360-2
OCEAN_2.0_Applicator-S-200F280F



TE Part # 7-2836360-2
OCEAN_2.0_Applicator-S-200F280F



KIT
TE Part # 7-2836360-7
OCEAN_2.0_SPARE_PART_KIT-200F280F



TE Part # 1564744-1
2 POS. TAB 9.5X1.2,TAB HSG

Also in the Series | **Timer Connector System**



Automotive Connector Caps & Covers (11)



Automotive Connector Locks & Position Assurance(16)



Automotive Housings(219)



Automotive Seals & Cavity Plugs(31)



Automotive Terminals(138)



Crimp Terminal Housings(13)



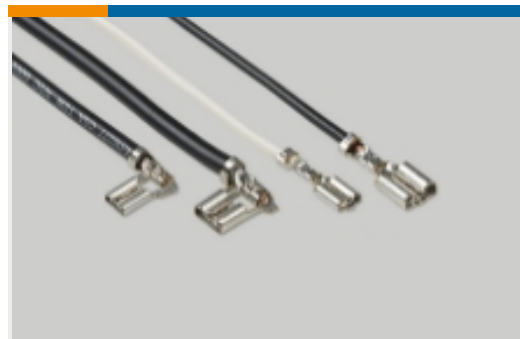
Insertion & Extraction Tools(20)



Other Automotive Connector Accessories(1)

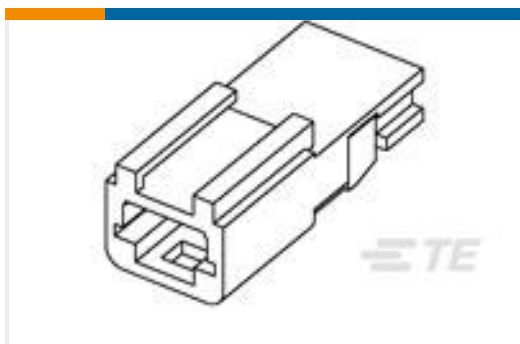


PCB Headers & Receptacles(78)

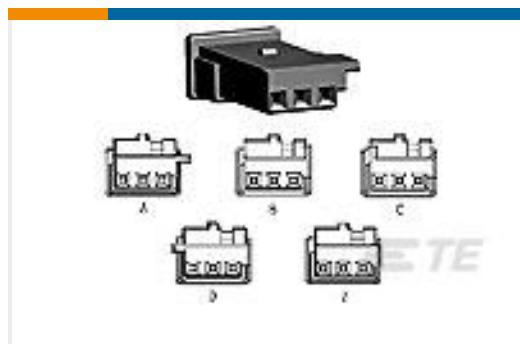


Quick Disconnects(4)

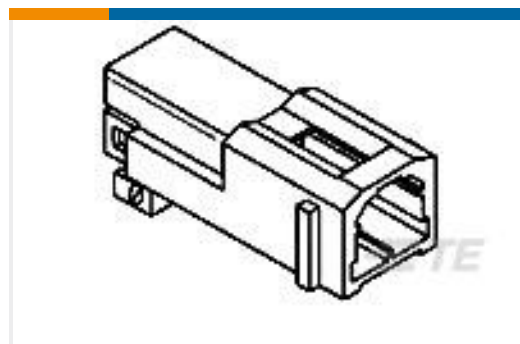
Customers Also Bought



TE Part #1612035-1
025 G 4POS CAP W TO W



TE Part #3-1718346-1
3POS MQS REC COD C



TE Part #368545-1
070 MLC CAP 2P HSG



TE Part #1544970-1
SEAL, NG9K



TE Part #1-2310922-2
2POS,8MM HV,REC HSG,90D,ASSY, SEALED,V0,



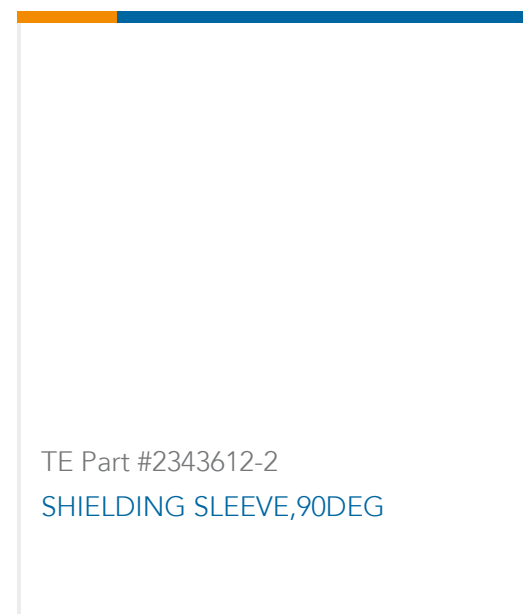
TE Part #2310488-2
PROTECTION COVER, V0



TE Part #1813018-4
MINI FUSE RECEPTACLE



TE Part #2321525-1
32POS,TH 025,REC HSG ASSY,UNSLD



Documents

Product Drawings

[TAB 9.5x1.2 CONTACT CF SRC Sn](#)

English

CAD Files

[3D PDF](#)

3D

[Customer View Model](#)

[ENG_CVM_CVM_963768-2_C.2d_dxf.zip](#)

English

[Customer View Model](#)

[ENG_CVM_CVM_963768-2_C.3d_igs.zip](#)

English

[Customer View Model](#)

[ENG_CVM_CVM_963768-2_C.3d_stp.zip](#)

English

By downloading the CAD file I accept and agree to the [Terms and Conditions](#) of use.

Datasheets & Catalog Pages

[Timer Interconnection System](#)

English

Product Specifications

[Application Specification](#)

German

[Application Specification](#)

English

Product Environmental Compliance

[Product Compliance](#)

English

[Product Compliance](#)

English