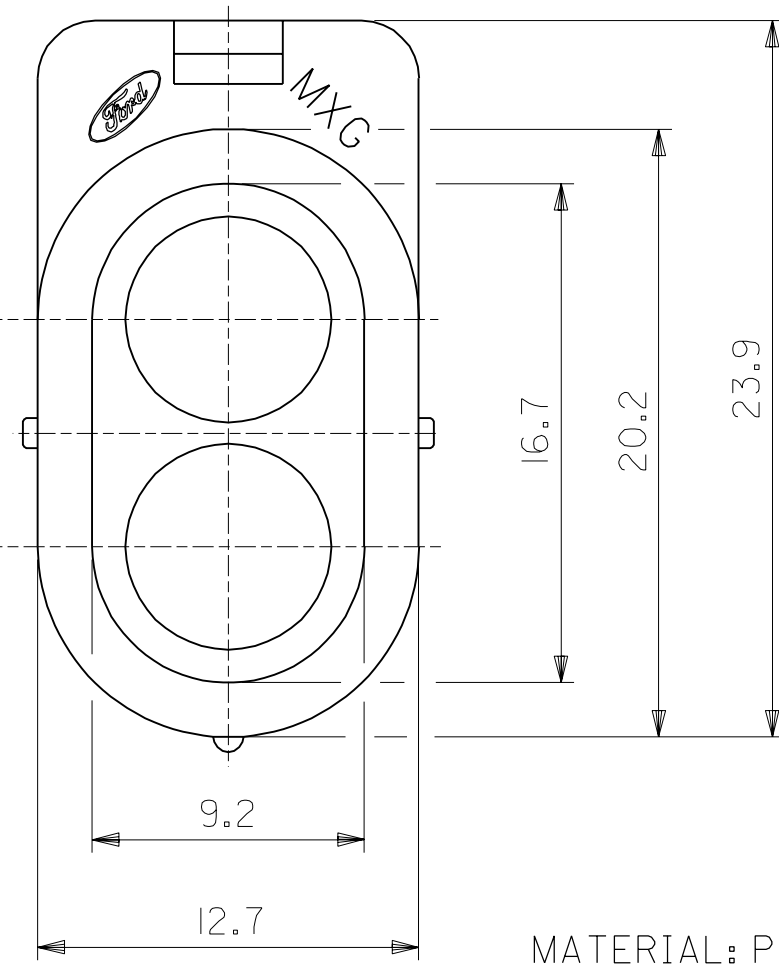
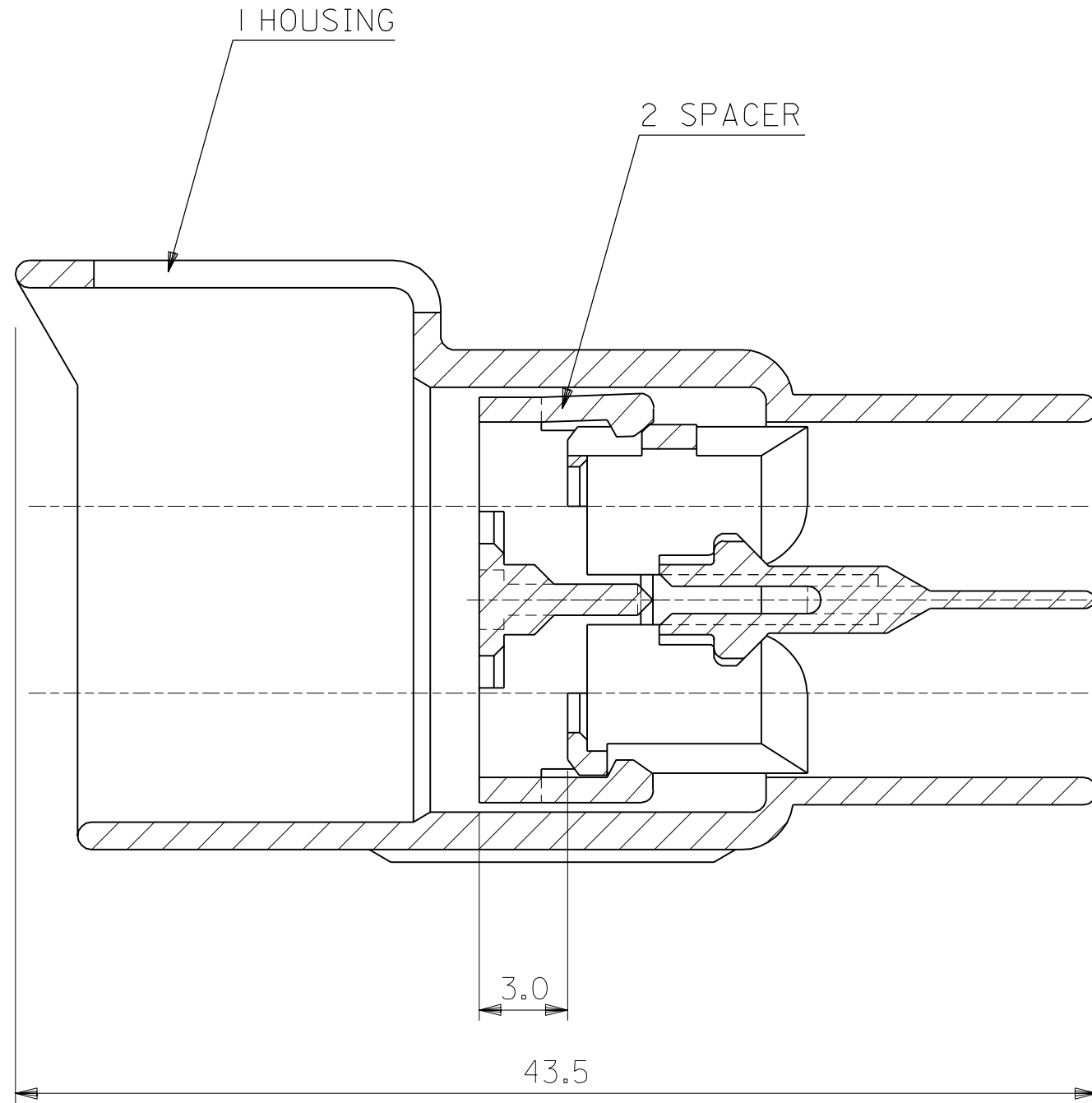


MOLEX NO.	COLOR	FARBE	RAL
98018-0001	BLACK	SCHWARZ	9005
98018-0002	BROWN	BRAUN	8017
98018-0003	BLUE	BLAU	5015
98018-0004	GREEN	GRUEN	6001
98018-0005	YELLOW	GELB	1018
98018-0006	GREY	GRAU	7035
98018-0007	ORANGE	ORANGE	1007
98018-0008	NATURAL	NATUR	-



MATERIAL: PBTP 30% GV

PART NO.  
DWG. NO.

FOR PREVIOUS  
DRAWING ISSUES  
SEE "EDIS"

ECN MXG 1028  
01.03.93  
H. DIETZ  
D LTR REVISIONS

DIMENSIONS SHOWN ( METRIC ) INCH		DRWG BY DT
UNLESS OTHERWISE SPECIFIED TOLERANCES: ANGULAR ±		
		CHK'D BY ARE
3 PLACE	±	
2 PLACE	±	
1 PLACE	± 0.2	APP'D BY APO
DRAFT WHERE APPLICABLE MUST REMAIN WITHIN DIMENSIONS		SCALE
DESIGN DIMENSION (PRIMARY)	<input checked="" type="checkbox"/> (MM) <input type="checkbox"/> IN.	
EQUIVALENT DIMENSION (SECONDARY)	<input type="checkbox"/> (MM) <input type="checkbox"/> IN.	

REVISE ONLY ON CAD SYSTEM		SH.	REV.
CADCAM FILENAME SDA98018 DCN	THIS DRAWING CONTAINS INFORMATION THAT IS PROPRIETARY TO MOLEX INC. & SHOULD NOT BE USED WITHOUT WRITTEN PERMISSION		
TITLE 2-WAY HOUSING FOR MALE TERMINAL			
MOLEX MOLEX EUROPE		SHEET NO. 1 / 1	DATE 87 / 02 / 19
PART NO. SEE TABLE	DWG NO. SDA-98018	SIZE B	