

917571-1 ✓ ACTIVE

AMPMODU

TE Internal #: 917571-1

Connector Contact, Pin, Wire-to-Board, 1 Position, .059 in [1.5 mm]

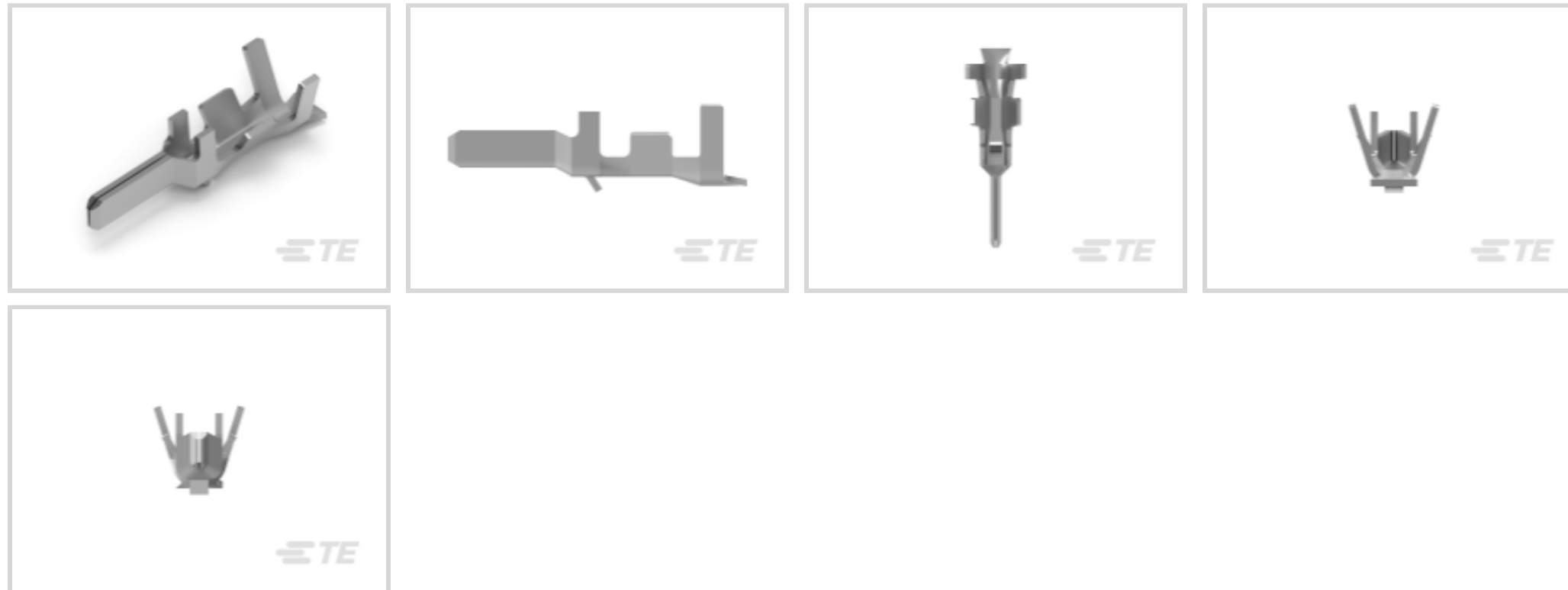
Centerline, 30 – 26 AWG Wire Size, .05 – .15 mm² Wire Size, Pre-

Tin, Reel

[View on TE.com >](#)



Connectors > PCB Connectors > Wire-to-Board Connectors > Wire-to-Board Connector Contacts



Contact Type: **Pin**

Connector System: **Wire-to-Board**

Number of Positions: **1**

Centerline (Pitch): **1.5 mm [.059 in]**

Wire Size: **30 – 26 AWG**

Features

Product Type Features

Connector System	Wire-to-Board
Sealable	No
Connector & Contact Terminates To	Wire & Cable

Configuration Features

Number of Positions	1
---------------------	---

Contact Features

Mating Tab Width	.8 mm[.031 in]
Mating Tab Thickness	.33 mm[.013 in]
Contact Base Material	Brass
Contact Type	Pin
Contact Mating Area Plating Material	Pre-Tin
Contact Current Rating (Max)	1 A

Mechanical Attachment

Connector Mounting Type	Board Mount
-------------------------	-------------



Housing Features

Centerline (Pitch)	1.5 mm[.059 in]
--------------------	-----------------

Dimensions

	.059 in
Accepts Wire Insulation Diameter Range	.7 – .98 mm[.028 – .039 in]
Wire Size	.05 – .15 mm ²

Usage Conditions

Operating Temperature Range	-40 – 105 °C[-40 – 221 °F]
-----------------------------	----------------------------

Operation/Application

Circuit Application	Power & Signal
---------------------	----------------

Packaging Features

Packaging Quantity	10000
Packaging Method	Reel

Product Compliance

[For compliance documentation, visit the product page on TE.com>](#)

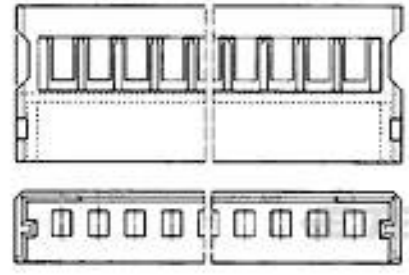
EU RoHS Directive 2011/65/EU	Compliant
EU ELV Directive 2000/53/EC	Compliant
China RoHS 2 Directive MIIT Order No 32, 2016	No Restricted Materials Above Threshold
EU REACH Regulation (EC) No. 1907/2006	Current ECHA Candidate List: JUNE 2022 (224) Candidate List Declared Against: JUNE 2022 (224) Does not contain REACH SVHC
Halogen Content	Low Halogen - Br, Cl, F, I < 900 ppm per homogenous material. Also BFR/CFR/PVC Free
Solder Process Capability	Not applicable for solder process capability

Product Compliance Disclaimer

This information is provided based on reasonable inquiry of our suppliers and represents our current actual knowledge based on the information they provided. This information is subject to change. The part numbers that TE has identified as EU RoHS compliant have a maximum concentration of 0.1% by weight in homogenous materials for lead, hexavalent chromium, mercury, PBB, PBDE, DBP, BBP, DEHP, DIBP, and 0.01% for cadmium, or qualify for an exemption to these limits as defined in the Annexes of Directive 2011/65/EU (RoHS2). Finished electrical and electronic equipment products will be CE marked as required by Directive 2011/65/EU. Components may not be CE marked. Additionally, the part numbers that TE has identified as EU ELV compliant have a maximum concentration of 0.1% by weight in homogenous materials for lead, hexavalent chromium, and mercury, and 0.01% for cadmium, or qualify for an exemption to these limits as defined in the Annexes of Directive 2000/53/EC (ELV). Regarding the REACH Regulation, the information TE provides

on SVHC in articles for this part number is based on the latest European Chemicals Agency (ECHA) 'Guidance on requirements for substances in articles' posted at this URL: <https://echa.europa.eu/guidance-documents/guidance-on-reach>

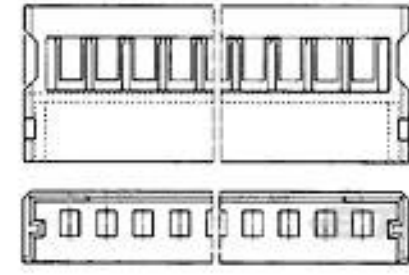
Compatible Parts



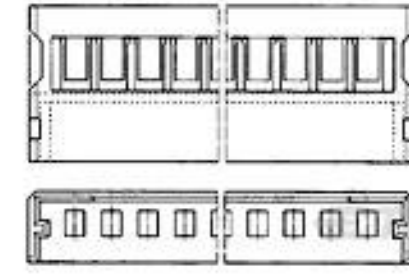
TE Part # 1-917572-2
1.5 B-T-W PLUG HSG 12P BLACK



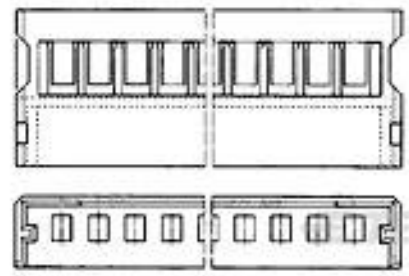
TE Part # 917572-7
1.5 B-T-W PLUG HSG 7P BLACK



TE Part # 917572-9
1.5 B-T-W PLUG HSG 9P BLACK



TE Part # 1-917572-1
1.5 B-T-W PLUG HSG 11P BLACK



TE Part # 917572-4
1.5 B-T-W PLUG HSG 4P BLACK

Customers Also Bought



TE Part #1-1903130-6
DYNAMIC 1200D TAB HSG 12P F/H



TE Part #2174065-4
REC. CONT. FMG. M-MOTOR PLUS



TE Part #747275-1
037 LP HDF STRAIN RELIEF



TE Part #178964-6
DYNAMIC 3100D TAB HSG 12P FREE



TE Part #175286-5
DYNAMIC D-3 TAB CONT. L PRE-TIN



TE Part #1473381-1
PC I/O REC KIT BAG /1PCS.



TE Part #2174054-1
ENC. CBL I/O KIT 100SET , M-MOTOR PLUS



TE Part #1-234156-0
CRIMPER,WIRE SPECIAL

Documents

Product Drawings
1.5 BTW POST CONTACT
English



CAD Files

3D PDF

3D

Customer View Model

[ENG_CVM_CVM_917571-1_E_c-917571-1-e.2d_dxf.zip](#)

English

Customer View Model

[ENG_CVM_CVM_917571-1_E_c-917571-1-e.3d_igs.zip](#)

English

Customer View Model

[ENG_CVM_CVM_917571-1_E_c-917571-1-e.3d_stp.zip](#)

English

By downloading the CAD file I accept and agree to the [Terms and Conditions](#) of use.

Product Specifications

Application Specification

Japanese

Product Environmental Compliance

Product Compliance

English

Product Compliance

English