

PLEASE CHECK WWW.MOLEX.COM FOR LATEST PART INFORMATION

Part Number: [90170-0010](#)
Status: **Active**
Overview: [QF-50™](#)
Description: 2.54mm Pitch QF-50™, Strain Relief, DIN 41651, Standard Low Profile, 10 Circuits

Documents:

[3D Model](#) [Packaging Specification PK-90170-001 \(PDF\)](#)
[Drawing \(PDF\)](#) [RoHS Certificate of Compliance \(PDF\)](#)
[Product Specification PS-99020-0015 \(PDF\)](#)

General

| | |
|---------------------|-------------------------------------|
| Product Family | Ribbon Cable / Wire Trap Connectors |
| Series | 90170 |
| Component Type | Strain Relief |
| Glow-Wire Compliant | No |
| Overview | QF-50™ |
| Product Name | QF-50™ |
| UPC | 800753531956 |

Physical

| | |
|-------------------------------|----------------|
| Circuits (Loaded) | N/A |
| Circuits (maximum) | 10 |
| Color - Resin | Black |
| Entry Angle | N/A |
| Lock to Mating Part | Yes |
| Material - Plating Mating | N/A |
| Material - Resin | Polyester |
| Net Weight | 0.410/g |
| Number of Rows | 2 |
| PCB Locator | No |
| PCB Retention | None |
| Packaging Type | Bag |
| Pitch - Mating Interface | 1.27mm |
| Polarized to Mating Part | No |
| Stackable | No |
| Temperature Range - Operating | -25°C to +85°C |
| Wire Insulation Diameter | N/A |
| Wire Size AWG | N/A |
| Wire/Cable Type | Ribbon Cable |

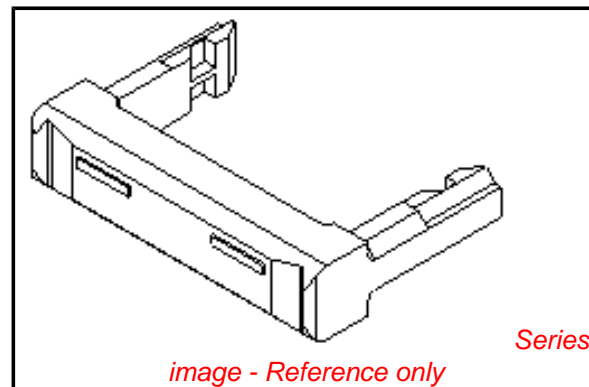
Electrical

| | |
|-------------------------------|------------|
| Current - Maximum per Contact | 1A |
| Voltage - Maximum | 250V AC/DC |

Material Info

Reference - Drawing Numbers

| | |
|-------------------------|---------------|
| Packaging Specification | PK-90170-001 |
| Product Specification | PS-99020-0015 |
| Sales Drawing | SD-90170 |



EU RoHS

ELV and RoHS Compliant
REACH SVHC Contains SVHC: No
Low-Halogen Status
Not Low-Halogen

China RoHS



Need more information on product environmental compliance?

Email productcompliance@molex.com
 For a multiple part number RoHS Certificate of Compliance, [click here](#)

Please visit the [Contact Us](#) section for any non-product compliance questions.

Search Parts in this Series

90170Series

Use With

5320 , 90635