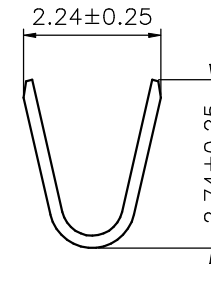
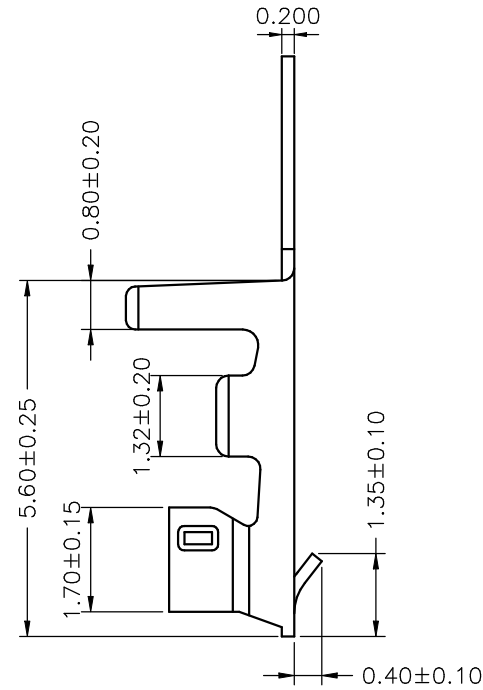
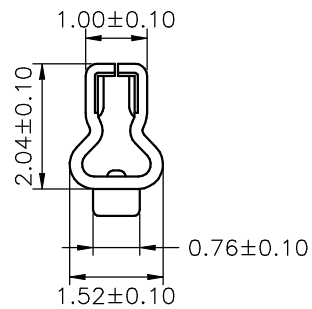
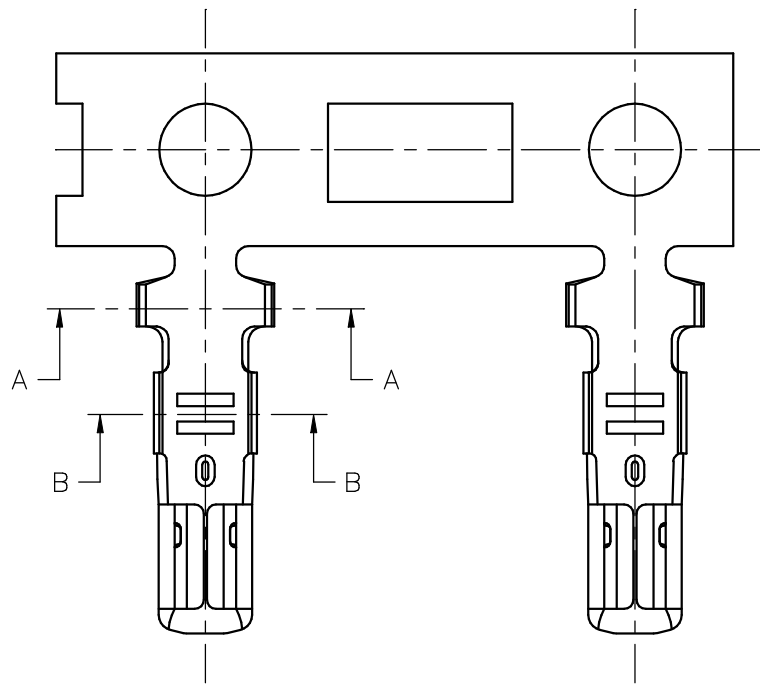
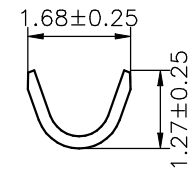


REV	DATE	DESCRIPTION	REVISOR
1.0			



SEC:A-A



SEC:B-B

CJT® CHANGJIANG CONNECTORS CO., LTD.
CHANGJIANG CONNECTORS

Ordering information & Specifications

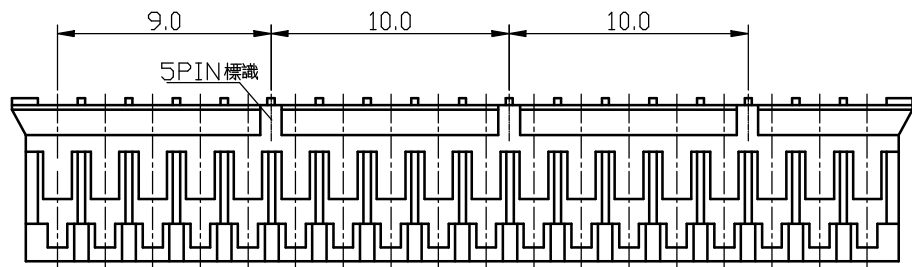
Unit:mm

Part No	Wire Range	Insultion O.D.	Material	Finish	Qty/reel
A2001-TP	AWG# 24-# 30	1.50mm(max)	Phosphor Bronze	Tin-plated	10,000 pcs

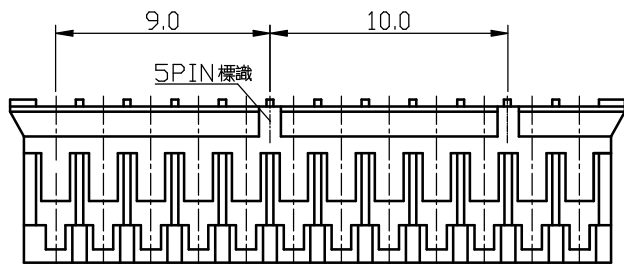
Note:e-stamping before Tin-plated

Specification

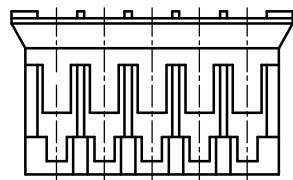
Client:		Drawing No: A2001-T	
Tolerance	Draw By: LIZhiQiang	Date: 2008-05-15	Unit:mm Scale:Enone
X. X ≤ 0.25	Checked: HE.	Date: 2008-05-15	
X. XX ≤ 0.15	Approved:	Date:	
X. XXX ≤ 0.10	Material:	Edition: A	



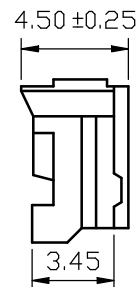
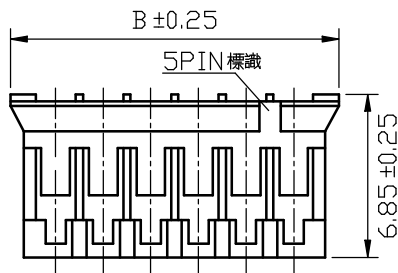
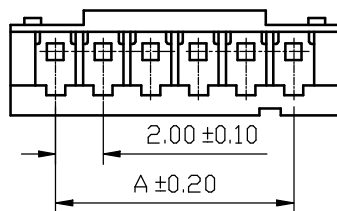
18P



12P~16P



2P~5P



SPECIFICATIONS

Current Rating: 1A AC,DC
 Voltage Rating: 100V AC,DC
 Temperature Range: -25°C ~ +85°C
 Contact resistance: 20mΩ MAX.
 Insulation Resistance: 1000MΩ Min.
 Withstanding Voltage: 800V AC/minute
 Material: Nylon 66,UL94V-0

REV	DATE	DESCRIPTTON	REVISER
1.0			

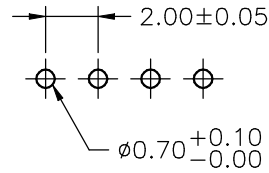
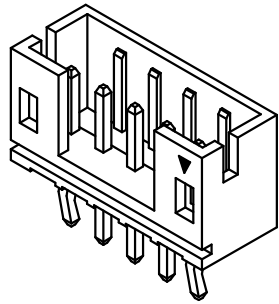
Ordering Information & Dimensions:

PART NO.	Dimensions	
	A	B
A2001H-2P	2.00	5.80
A2001H-3P	4.00	7.80
A2001H-4P	6.00	9.80
A2001H-5P	8.00	11.80
A2001H-6P	10.00	13.80
A2001H-7P	12.00	15.80
A2001H-8P	14.00	17.80
A2001H-9P	16.00	19.80
A2001H-10P	18.00	21.80
A2001H-11P	20.00	23.80
A2001H-12P	22.00	25.80
A2001H-13P	24.00	27.80
A2001H-14P	26.00	29.80
A2001H-15P	28.00	31.80
A2001H-16P	30.00	33.80
A2001H-17P	32.00	35.80
A2001H-18P	34.00	37.80
A2001H-19P	36.00	39.80
A2001H-20P	38.00	41.80



Specification

Client:		Drawing No: A2001H-NP	
Tolerance	Draw By: LIZhiQiang	Date: 2008-05-15	Unit:mm Scale:Enone
X. X ≤ 0.25	Checked: HE.	Date: 2008-05-15	
X. XX ≤ 0.15	Approved:	Date:	
X. XXX ≤ 0.10	Material:	Edition: A	



P.C.B LAYOUT

Ordering Information:

A2001WV-XP-X

1 2

1.Part No.

2.Style:

1-Type 1

2-Type 2

3-Type 3

SPECIFICATIONS

Current Rating: 2A AC,DC

Voltage Rating: 100V AC,DC

Temperature Range: -25°C ~ +85°C

Contact Resistance: 10mΩ Max.

Insulation Resistance: 1000MΩ Min.

Withstanding Voltage: 800V AC/minute

Pin Material: Brass/Tin-plated

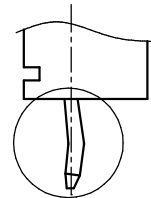
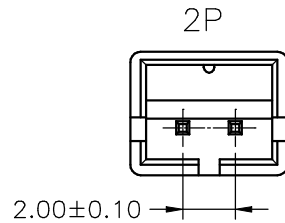
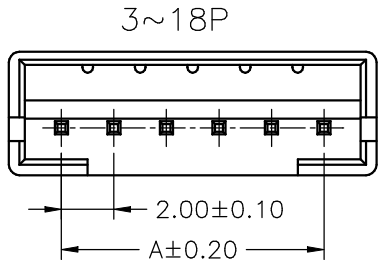
Material: Nylon 66,UL94V-0

Color: Natural(White)

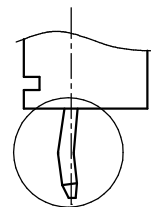
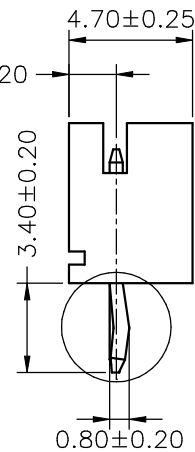
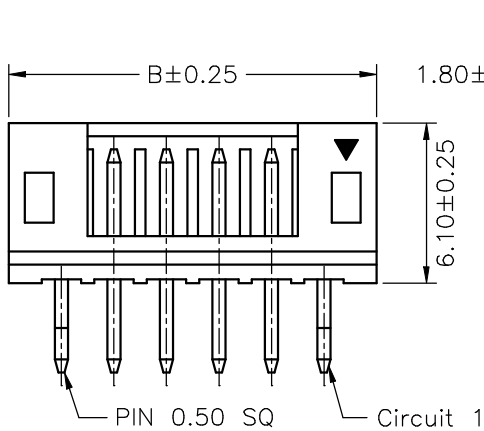
REV	DATE	DESCRIPTION	REVISER
1.0			

Ordering Information & Dimensions

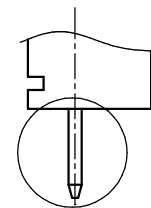
PART NO.	Dimensions	
	A	B
A2001WV-2P	2.00	6.00
A2001WV-3P	4.00	8.00
A2001WV-4P	6.00	10.00
A2001WV-5P	8.00	12.00
A2001WV-6P	10.00	14.00
A2001WV-7P	12.00	16.00
A2001WV-8P	14.00	18.00
A2001WV-9P	16.00	20.00
A2001WV-10P	18.00	22.00
A2001WV-11P	20.00	24.00
A2001WV-12P	22.00	26.00
A2001WV-13P	24.00	28.00
A2001WV-14P	26.00	30.00
A2001WV-15P	28.00	32.00
A2001WV-16P	30.00	34.00
A2001WV-17P	32.00	36.00
A2001WV-18P	34.00	38.00



TYPE 1



TYPE 2



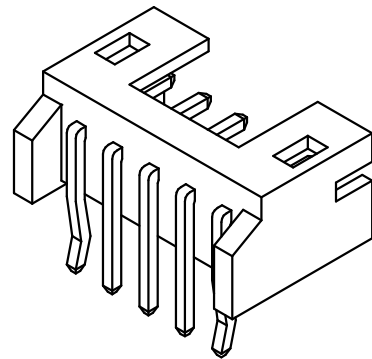
TYPE 3

CJT® CHANGJIANG CONNECTORS CO., LTD.
CHANGJIANG CONNECTORS

Specification

Client:		Drawing No: A2001WV-NP	
Tolerance	Draw By: LIZhiQiang	Date: 2008-05-15	Unit:mm Scale:Enone
X. X ≤ 0.25	Checked: HE.	Date: 2008-05-15	
X. XX ≤ 0.15	Approved:	Date:	
X. XXX ≤ 0.10	Material:	Edition: A	

REV	DATE	DESCRIPTION	REVISER
1.0			



Ordering Information:

A2001WR-XP-X

1 2

1.Part No.

2.Style:

1-Type 1

2-Type 2

SPECIFICATIONS

Current Rating: 2A AC,DC

Voltage Rating: 100V AC,DC

Temperature Range: -25°C ~ +85°C

Contact Resistance: 10mΩ Max.

Insulation Resistance: 1000MΩ Min.

Withstanding Voltage: 800V AC/minute

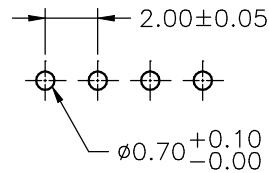
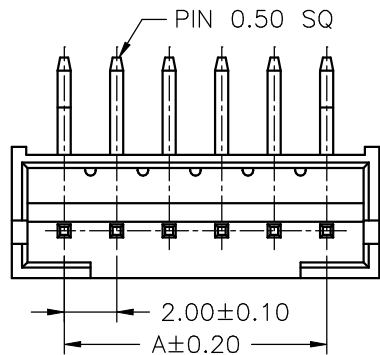
Pin Material: Brass/Tin-plated

Material: Nylon 66,UL94V-0

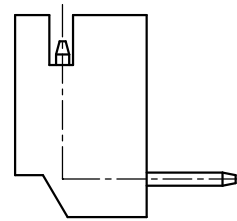
Color: Natural(White)

Ordering Information & Dimensions

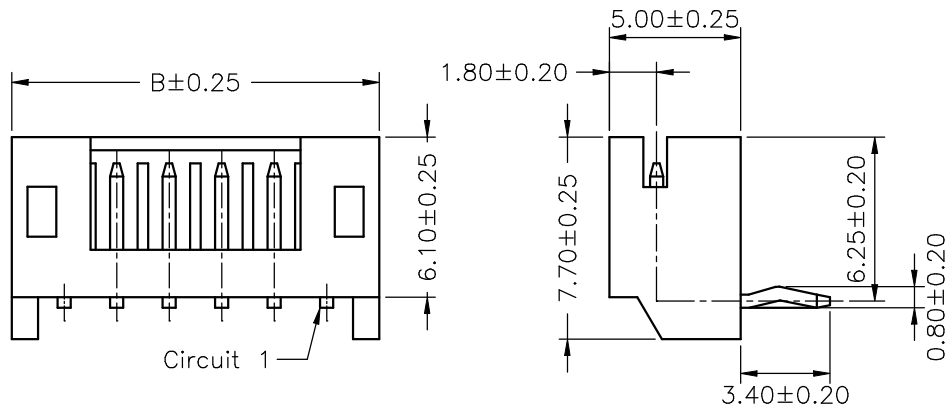
PART NO.	Dimensions	
	A	B
A2001WR-2P	2.00	6.00
A2001WR-3P	4.00	8.00
A2001WR-4P	6.00	10.00
A2001WR-5P	8.00	12.00
A2001WR-6P	10.00	14.00
A2001WR-7P	12.00	16.00
A2001WR-8P	14.00	18.00
A2001WR-9P	16.00	20.00
A2001WR-10P	18.00	22.00
A2001WR-11P	20.00	24.00
A2001WR-12P	22.00	26.00
A2001WR-13P	24.00	28.00
A2001WR-14P	26.00	30.00
A2001WR-15P	28.00	32.00
A2001WR-16P	30.00	34.00



P.C.B LAYOUT



TYPE 2



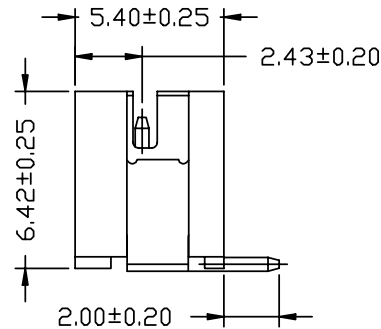
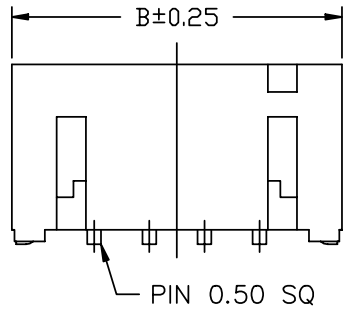
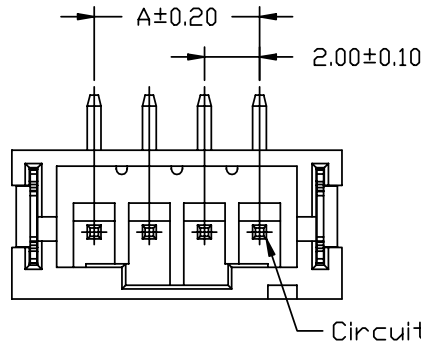
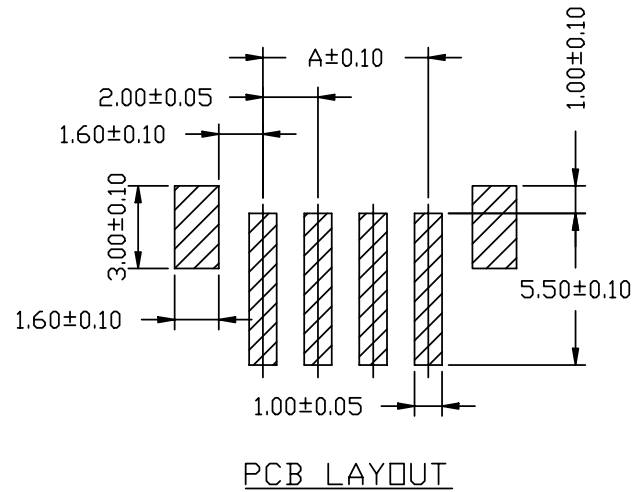
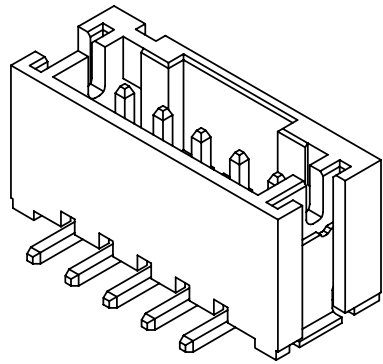
TYPE 1

CJT[®] CHANGJIANG CONNECTORS CO., LTD.
CHANGJIANG CONNECTORS

Specification

Client:		Drawing No: A2001WR-NP	
Tolerance	Draw By: LIZhiQiang	Date: 2008-05-15	Unit:mm Scale:Enone
X. X ≤ 0.25	Checked: HE.	Date: 2008-05-15	
X. XX ≤ 0.15	Approved:	Date:	
X. XXX ≤ 0.10	Material:	Edition: A	

REV	DATE	DESCRIPTION	REVISER
1.0			



SPECIFICATIONS
 Current Rating: 2A AC,DC
 Voltage Rating: 100V AC,DC
 Temperature Range: -25°C ~ +85°C
 Contact Resistance: 10mΩ Max.
 Insulation Resistance: 1000MΩ Min.
 Withstanding Voltage: 800V AC/minute
 Pin Material: Brass/Tin-plated
 Solder Tabs: Brass/Tin-plated
 Material: Nylon 6T,UL94V-0
 Color: Natural(Beige)

Ordering Information & Dimensions:

PART NO.	Dimensions	
	A	B
A2001WV-S-2P	2.00	8.00
A2001WV-S-3P	4.00	10.00
A2001WV-S-4P	6.00	12.00
A2001WV-S-5P	8.00	14.00
A2001WV-S-6P	10.00	16.00
A2001WV-S-7P	12.00	18.00
A2001WV-S-8P	14.00	20.00
A2001WV-S-9P	16.00	22.00
A2001WV-S-10P	18.00	24.00
A2001WV-S-11P	20.00	26.00
A2001WV-S-12P	22.00	28.00
A2001WV-S-13P	24.00	30.00
A2001WV-S-14P	26.00	32.00
A2001WV-S-15P	28.00	34.00
A2001WV-S-16P	30.00	36.00



Specification

Client:		Drawing No: A2001WV-S-NP	
Tolerance	Draw By: LIZhiQiang	Date: 2008-05-15	Unit:mm Scale:Enone
X. X ≤ 0.25	Checked: HE.	Date: 2008-05-15	
X. XX ≤ 0.15	Approved:	Date:	
X. XXX ≤ 0.10	Material:	Edition: A	

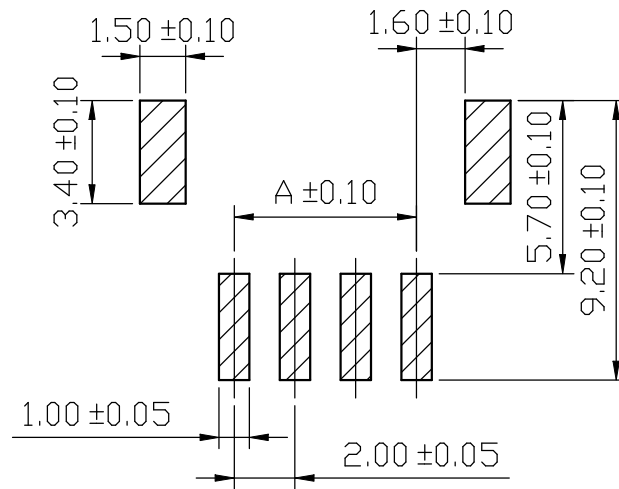
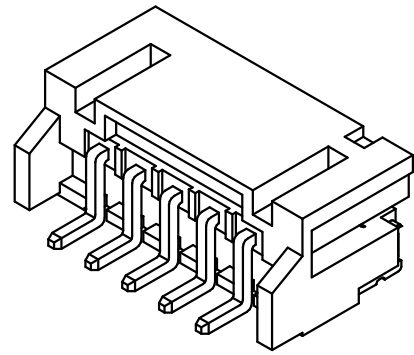
REV	DATE	DESCRIPTION	REVISER
1.0			

SPECIFICATIONS

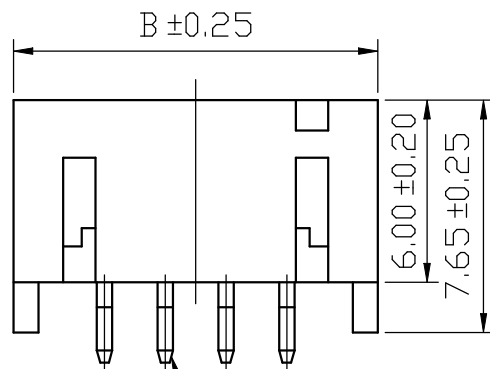
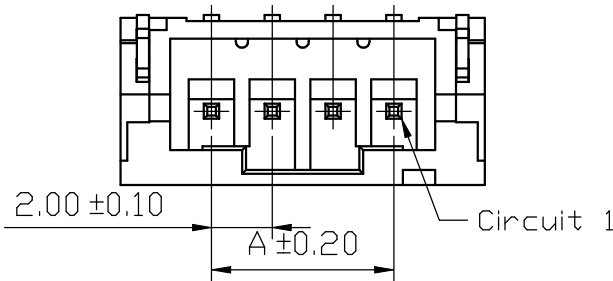
Current Rating: 2A AC,DC
Voltage Rating: 100V AC,DC
Temperature Range: -25°C ~ +85°C
Contact Resistance: 10mΩ Max.
Insulation Resistance: 1000MΩ Min.
Withstanding Voltage: 800V AC/minute
Pin Material: Brass/Tin-plated
Solder Tabs: Brass/Tin-plated
Material: Nylon 6T,UL94V-0
Color: Natural(Beige)

Ordering Information & Dimensions

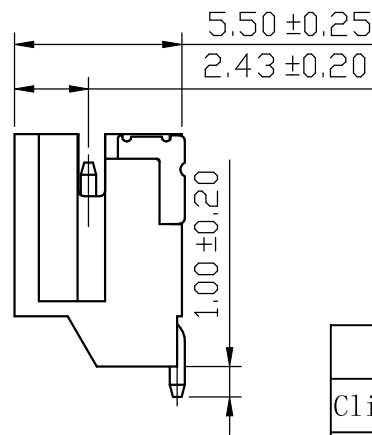
PART NO.	Dimensions	
	A	B
A2001WR-S-2P	2.00	8.00
A2001WR-S-3P	4.00	10.00
A2001WR-S-4P	6.00	12.00
A2001WR-S-5P	8.00	14.00
A2001WR-S-6P	10.00	16.00
A2001WR-S-7P	12.00	18.00
A2001WR-S-8P	14.00	20.00
A2001WR-S-9P	16.00	22.00
A2001WR-S-10P	18.00	24.00
A2001WR-S-11P	20.00	26.00
A2001WR-S-12P	22.00	28.00
A2001WR-S-13P	24.00 </td <td>30.00</td>	30.00
A2001WR-S-14P	26.00	32.00
A2001WR-S-15P	28.00	34.00
A2001WR-S-16P	30.00	36.00



PCB LAYOUT



PIN 0.50 SQ



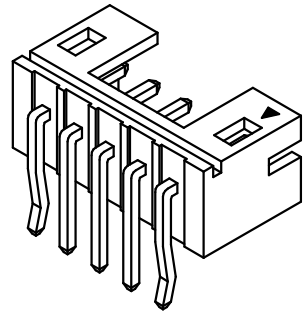
Specification

Client:		Drawing No: A2001WR-S-NP	
Tolerance	Draw By: LIZhiQiang	Date: 2008-05-15	Unit:mm Scale:Enone
X. X ≤ 0.25	Checked: HE.	Date: 2008-05-15	
X. XX ≤ 0.15	Approved:	Date:	
X. XXX ≤ 0.10	Material:	Edition: A	

REV	DATE	DESCRIPTION	REVISOR
1.0			

SPECIFICATIONS

Current Rating: 2A AC,DC
Voltage Rating: 100V AC,DC
Temperature Range: -25°C ~ +85°C
Contact Resistance: 10mΩ Max.
Insulation Resistance: 1000MΩ Min.
Withstanding Voltage: 800V AC/minute
Pin Material: Brass/Tin-plated
Material: Nylon 46,UL94V-0
Color: Natural(Beige)

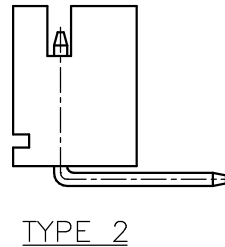
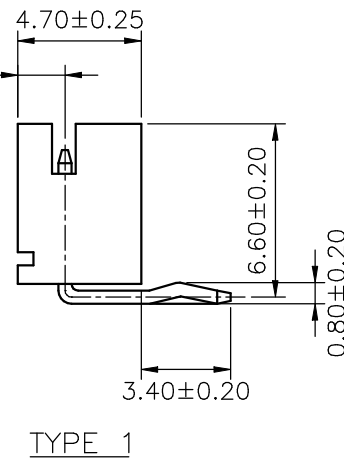
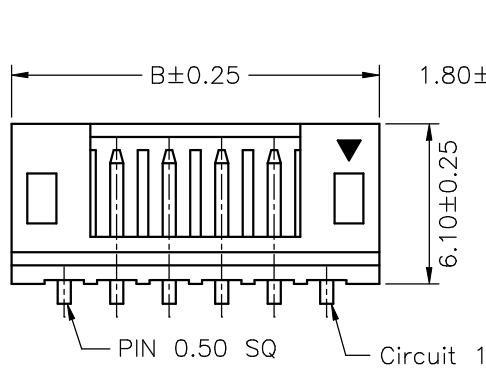
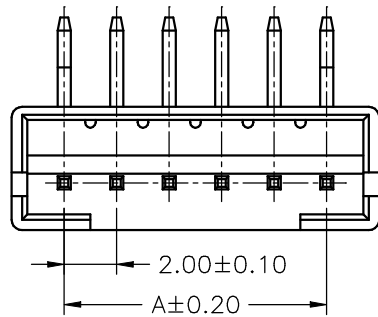
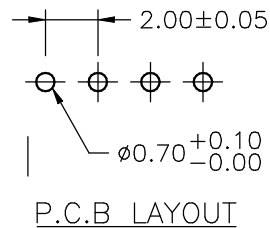


Ordering Information:
A2001WVR-XP-X-46
 1 2

1.Part No.
2.Style:
 1-Type 1
 2-Type 2

Ordering Information & Dimensions

PART NO.	Dimensions	
	A	B
A2001WVR-2P	2.00	6.00
A2001WVR-3P	4.00	8.00
A2001WVR-4P	6.00	10.00
A2001WVR-5P	8.00	12.00
A2001WVR-6P	10.00	14.00
A2001WVR-7P	12.00	16.00
A2001WVR-8P	14.00	18.00
A2001WVR-9P	16.00	20.00
A2001WVR-10P	18.00	22.00
A2001WVR-11P	20.00	24.00
A2001WVR-12P	22.00	26.00
A2001WVR-13P	24.00	28.00
A2001WVR-14P	26.00	30.00
A2001WVR-15P	28.00	32.00
A2001WVR-16P	30.00	34.00
A2001WVR-17P	32.00	36.00
A2001WVR-18P	34.00	38.00



CJT® CHANGJIANG CONNECTORS CO., LTD.
CHANGJIANG CONNECTORS

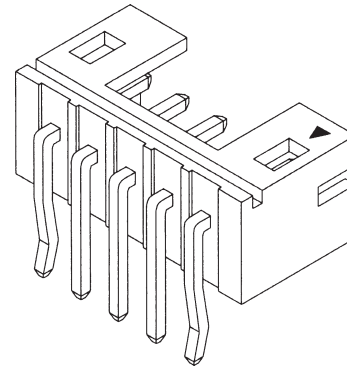
Specification

Client:		Drawing No: A2001WVR-NP	
Tolerance	Draw By: LIZhiQiang	Date: 2008-05-15	Unit:mm Scale:Enone
X.X ≤ 0.25	Checked: HE.	Date: 2008-05-15	
X.XX ≤ 0.15	Approved:	Date:	
X.XXX ≤ 0.10	Material:	Edition: A	

REV	DATE	DESCRIPTION	REVISOR
1.0			

SPECIFICATIONS

Current Rating: 2A AC,DC
Voltage Rating: 100V AC,DC
Temperature Range: -25°C ~ +85°C
Contact Resistance: 10mΩ Max.
Insulation Resistance: 1000MΩ Min.
Withstanding Voltage: 800V AC/minute
Pin Material: Brass/Tin-plated
Material: Nylon 46,UL94V-0
Color: Natural(Beige)



Ordering Information:

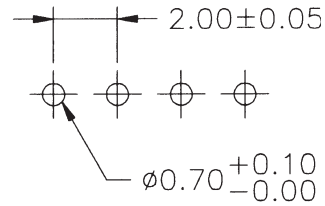
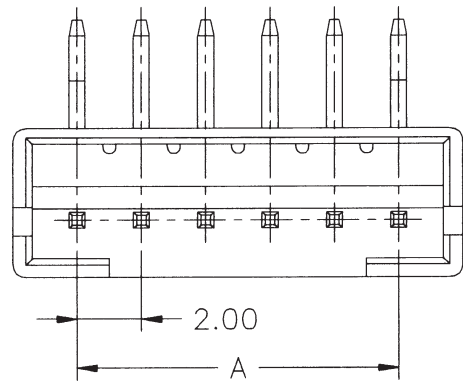
A2001WVR-XP - *
1 2

- 1.Part No.
2.Style:
1-Type 1
2-Type 2

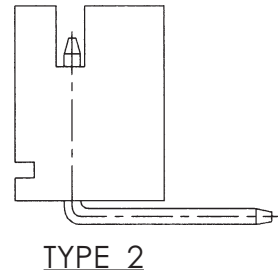
Ordering Information & Dimensions:

PART NO.	Dimensions	
	A	B
A2001WVR-2P	2.00	6.00
A2001WVR-3P	4.00	8.00
A2001WVR-4P	6.00	10.00
A2001WVR-5P	8.00	12.00
A2001WVR-6P	10.00	14.00
A2001WVR-7P	12.00	16.00
A2001WVR-8P	14.00	18.00
A2001WVR-9P	16.00	20.00
A2001WVR-10P	18.00	22.00
A2001WVR-11P	20.00	24.00
A2001WVR-12P	22.00	26.00
A2001WVR-13P	24.00	28.00
A2001WVR-14P	26.00	30.00
A2001WVR-15P	28.00	32.00
A2001WVR-16P	30.00	34.00
A2001WVR-17P	32.00	36.00
A2001WVR-18P	34.00	38.00
A2001WVR-19P	36.00	40.00
A2001WVR-20P	38.00	42.00

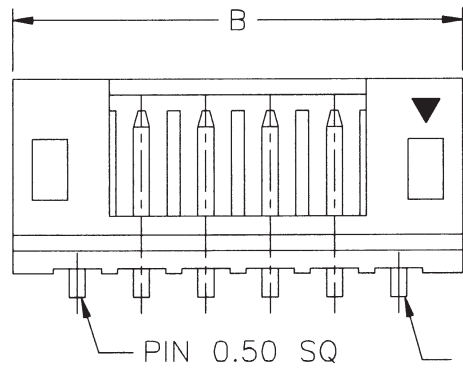
Unit:mm



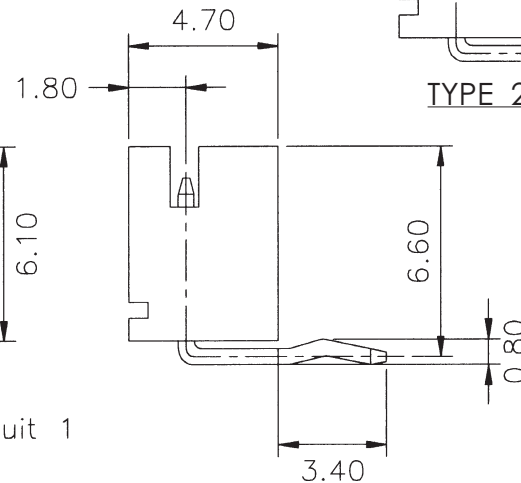
P.C.B LAYOUT



TYPE 2



Circuit 1



TYPE 1

CJT® **CHANGJIANG CONNECTORS CO., LTD.**
CHANGJIANG CONNECTORS

Specification

Client:		Drawing No: A2001WVR-NP	
Tolerance	Draw By: LIZhiQiang	Date: 2008-05-15	Unit:mm Scale:Enone
X. X ≤ 0.25	Checked: HE.	Date: 2008-05-15	
X. XX ≤ 0.15	Approved:	Date:	
X. XXX ≤ 0.10	Material:	Edition: A	