



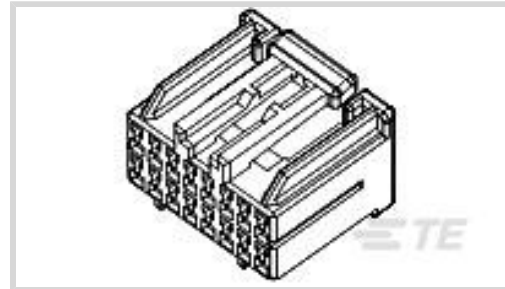
AMP | Multilock Connector System

TE Internal #: 917989-2

Housing for Female Terminals, Wire-to-Device / Wire-to-Board, 22 Position, .138 in / .118 in [3 mm / 3.5 mm] Centerline, Multilock Connector System

[View on TE.com >](#)

Connectors > Automotive Connectors > Connector Housings > MULTILOCK, CONNECTOR HOUSING



Connector & Housing Type: **Housing for Female Terminals**

Mating Tab Width: **1 mm, 1.8 mm [.039 in, .071 in]**

Connector System: **Wire-to-Board, Wire-to-Device**

Number of Positions: **22**

Centerline (Pitch): **3 mm, 3.5 mm [.118 in, .138 in]**

[All MULTILOCK, CONNECTOR HOUSING \(576\)](#)

Features

Product Type Features

| | |
|---------------------------|-------------------------------|
| Connector & Housing Shape | Rectangular |
| Connector & Housing Type | Housing for Female Terminals |
| Connector System | Wire-to-Board, Wire-to-Device |
| Sealable | No |
| Hybrid Connector | Yes |
| Primary Locking Feature | Integrated in Housing |

Configuration Features

| | |
|---------------------|----|
| Number of Positions | 22 |
| Number of Rows | 2 |

Electrical Characteristics

| | |
|------------------------------|--------|
| Operating Voltage | 12 VDC |
| Nominal Voltage Architecture | 12 V |

Body Features

| | |
|-----------------------|-------|
| Cable Exit Angle | 180° |
| Body Material | PBT |
| Primary Product Color | Black |



Contact Features

| | |
|------------------|---------------------------------|
| Contact Size | 1.8mm, 1mm |
| Contact Type | Receptacle |
| Mating Tab Width | 1 mm, 1.8 mm [.039 in][.071 in] |

Mechanical Attachment

| | |
|-----------------------------|----------------------------|
| Mounting Feature | Without |
| Terminal Position Assurance | Yes |
| Strain Relief | Without |
| Mating Alignment Type | Polarized |
| Mating Alignment | With |
| Connector Mounting Type | Cable Mount (Free-Hanging) |

Housing Features

| | |
|--------------------|---------------------------------|
| Centerline (Pitch) | 3 mm, 3.5 mm [.118 in][.138 in] |
|--------------------|---------------------------------|

Dimensions

| | |
|--------------------|--------------------|
| Product Width | 35.2 mm [1.386 in] |
| Product Length | 21 mm [.827 in] |
| Product Height | 18.4 mm [.724 in] |
| Row-to-Row Spacing | 5.2 mm [.205 in] |

Usage Conditions

| | |
|-----------------------------|--|
| Operating Temperature (Max) | 70 °C, 75 °C, 80 °C, 85 °C, 90 °C, 100 °C, 105 °C [158 °F][167 °F][176 °F][185 °F][194 °F][212 °F][221 °F] |
| Operating Temperature Range | -30 – 105 °C [-22 – 221 °F] |

Operation/Application

| | |
|---------------------|--------|
| Circuit Application | Signal |
|---------------------|--------|

Industry Standards

| | |
|------------------------|---------|
| UL Flammability Rating | UL 94HB |
|------------------------|---------|

Packaging Features

| | |
|--------------------|-----|
| Packaging Quantity | 100 |
| Packaging Method | Bag |

Other

| | |
|-------------|-----|
| Serviceable | Yes |
|-------------|-----|



Connector Position Assurance Capable

No

Product Compliance

[For compliance documentation, visit the product page on TE.com>](#)

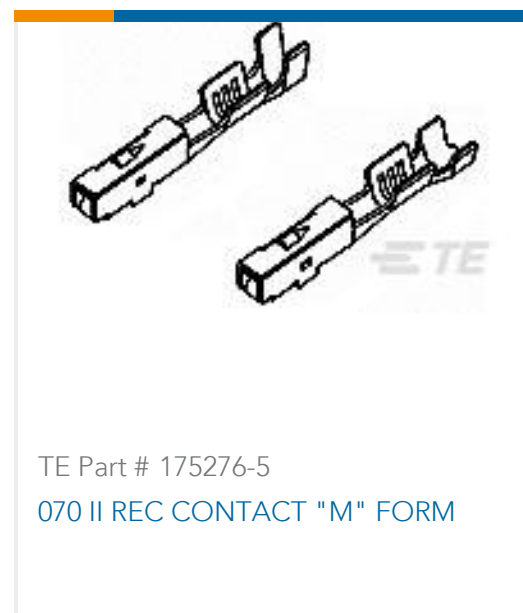
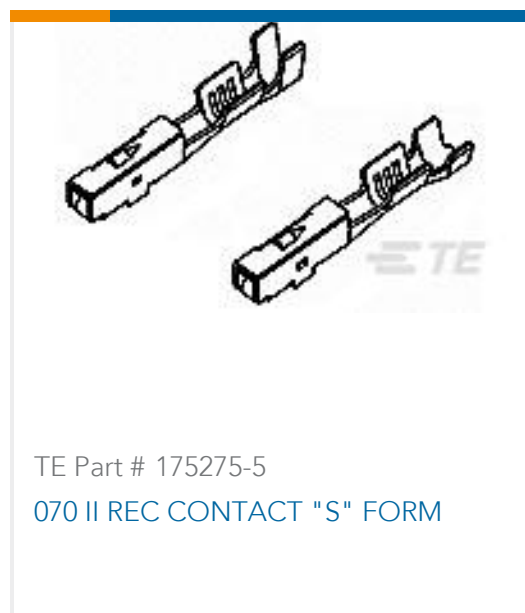
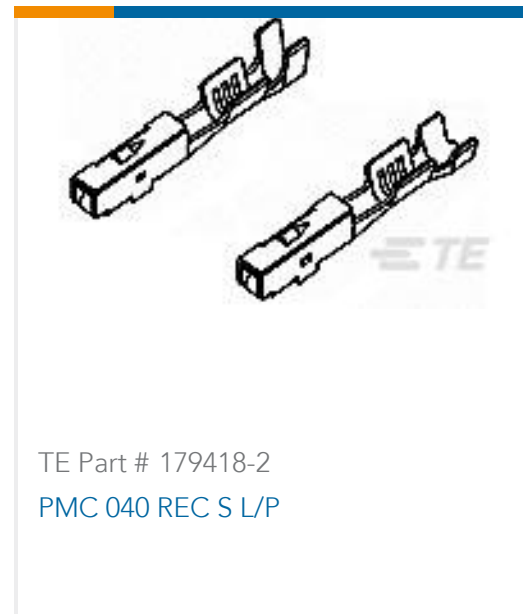
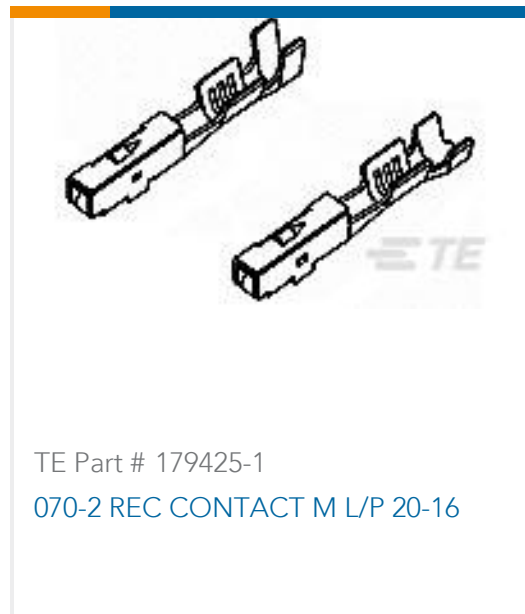
| | |
|---|---|
| EU RoHS Directive 2011/65/EU | Compliant |
| EU ELV Directive 2000/53/EC | Compliant |
| China RoHS 2 Directive MIIT Order No 32, 2016 | No Restricted Materials Above Threshold |
| EU REACH Regulation (EC) No. 1907/2006 | Current ECHA Candidate List: JUNE 2022 (224) Candidate List Declared Against: JUNE 2022 (224) Does not contain REACH SVHC |
| Halogen Content | Low Halogen - Br, Cl, F, I < 900 ppm per homogenous material. Also BFR/CFR/PVC Free |
| Solder Process Capability | Not applicable for solder process capability |

Product Compliance Disclaimer

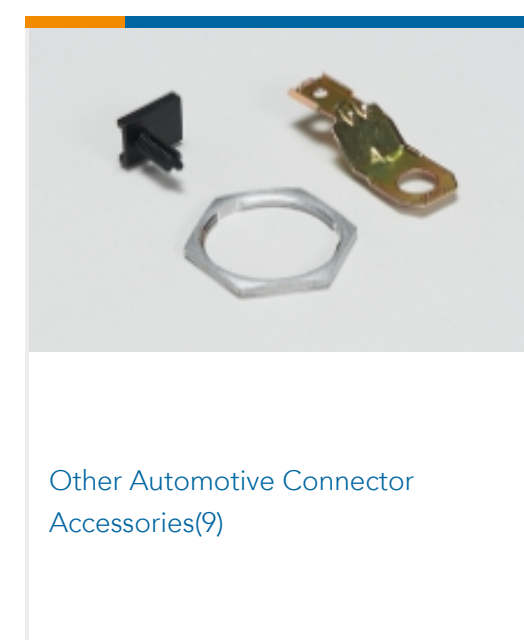
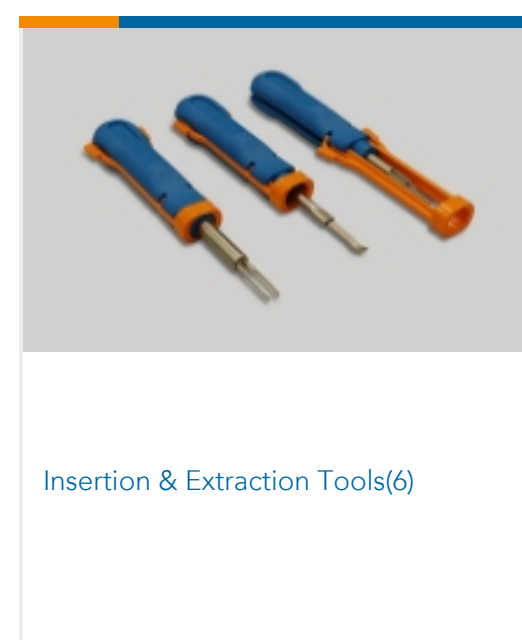
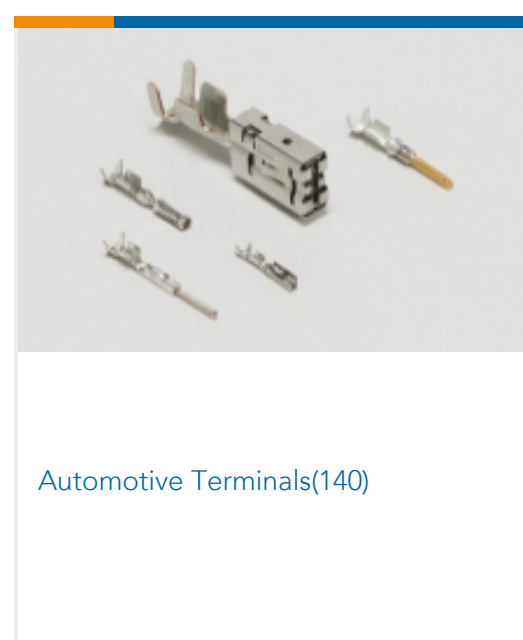
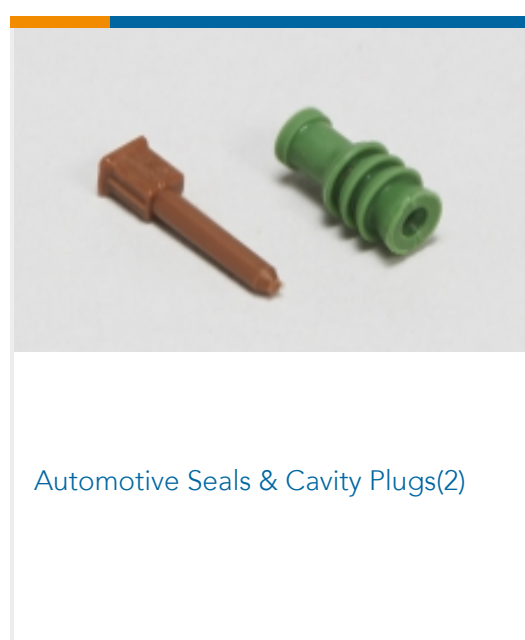
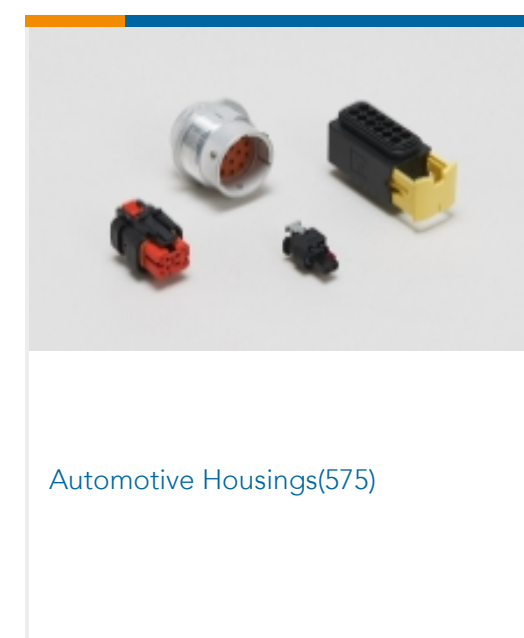
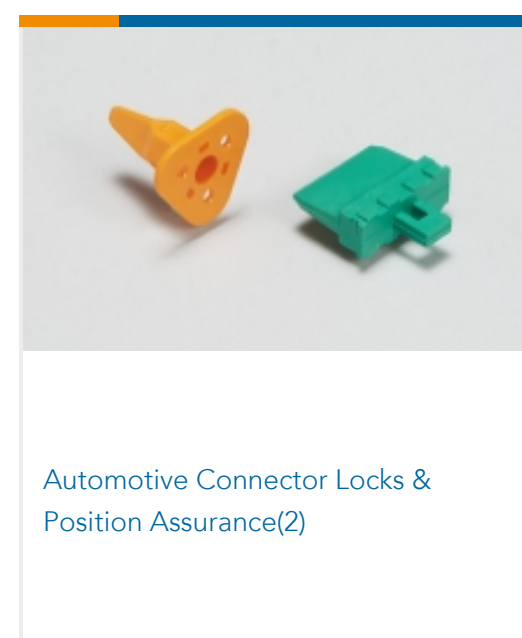
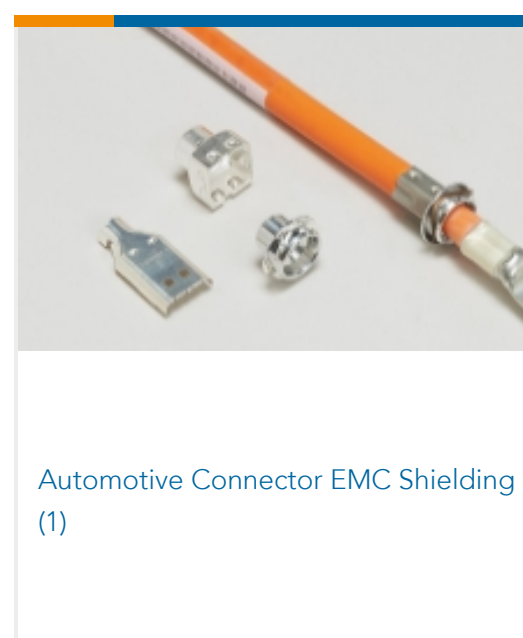
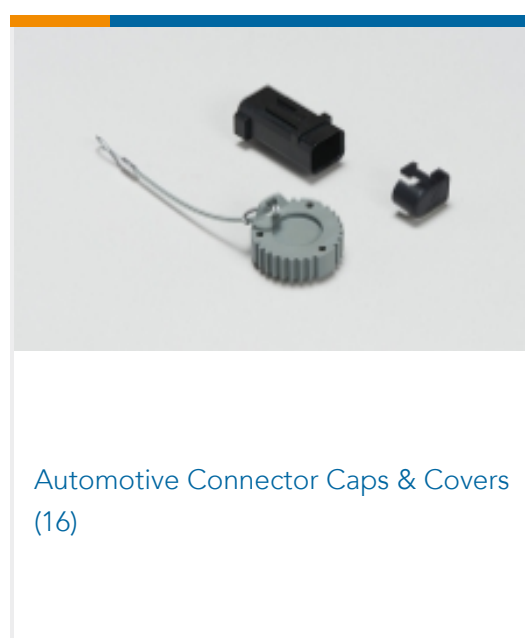
This information is provided based on reasonable inquiry of our suppliers and represents our current actual knowledge based on the information they provided. This information is subject to change. The part numbers that TE has identified as EU RoHS compliant have a maximum concentration of 0.1% by weight in homogenous materials for lead, hexavalent chromium, mercury, PBB, PBDE, DBP, BBP, DEHP, DIBP, and 0.01% for cadmium, or qualify for an exemption to these limits as defined in the Annexes of Directive 2011/65/EU (RoHS2). Finished electrical and electronic equipment products will be CE marked as required by Directive 2011/65/EU. Components may not be CE marked. Additionally, the part numbers that TE has identified as EU ELV compliant have a maximum concentration of 0.1% by weight in homogenous materials for lead, hexavalent chromium, and mercury, and 0.01% for cadmium, or qualify for an exemption to these limits as defined in the Annexes of Directive 2000/53/EC (ELV). Regarding the REACH Regulation, the information TE provides on SVHC in articles for this part number is based on the latest European Chemicals Agency (ECHA) 'Guidance on requirements for substances in articles' posted at this URL: <https://echa.europa.eu/guidance-documents/guidance-on-reach>

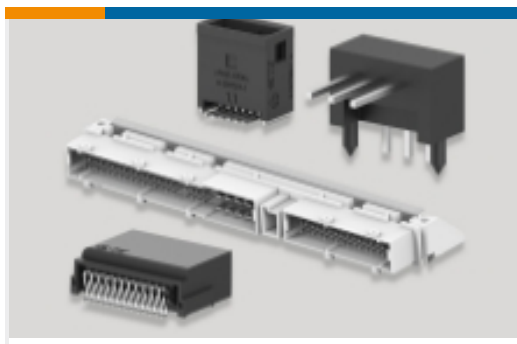
Compatible Parts

| | | | |
|---|--|---|--|
|  <p>TE Part # CAT-M9194-T273 MULTILOCK, RECEPTACLE AND TAB</p> |  <p>TE Part # CAT-HPCH5372 HIGH PIN COUNT HEADER</p> |  <p>TE Part # CAT-LMPH9507 LOW & MEDIUM POWER HEADER</p> |  <p>TE Part # 9-1438845-1 040/070 34 POSN CAP ASSEMBLY HORIZONTAL</p> |
|---|--|---|--|



Also in the Series | Multilock Connector System





PCB Headers & Receptacles(129)

Customers Also Bought

TE Part #1-967623-1
TIMER, CONNECTOR HOUSINGTE Part #174923-1
MULTILOCK, CONNECTOR HOUSINGTE Part #175268-1
MULTILOCK, RECEPTACLE AND TAB

Documents

Product Drawings

[HYBRID MK-2 PLUG HSG ASSY 22P](#)

English

CAD Files

Customer View Model

[ENG_CVM_CVM_917989-2_C.2d_dxf.zip](#)

English

[3D PDF](#)

3D

Customer View Model

[ENG_CVM_CVM_917989-2_C.3d_igs.zip](#)

English

Customer View Model

[ENG_CVM_CVM_917989-2_C.3d_stp.zip](#)

English

By downloading the CAD file I accept and agree to the [Terms and Conditions](#) of use.

Datasheets & Catalog Pages

[MULTILOCK Connector System](#)

English

Product Specifications

[Application Specification](#)

English



[Instruction Sheets](#)

[Instruction Sheet \(U.S.\)](#)

[Japanese](#)