



MQS

TE Internal #: 953122-5

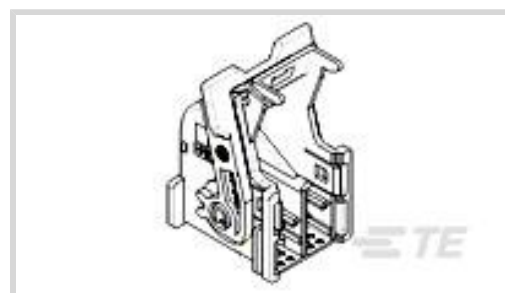
Automotive Connector Caps & Covers, Cover Assembly, Cable Exit

Angle 15°, Black, PBT GF, Wire-to-Board / Wire-to-Device, 40

Position, MQS

[View on TE.com >](#)

Connectors > Automotive Connectors > Connector Accessories > Connector Caps & Covers



Protection & Strain Relief Accessory Type: **Cover Assembly**

Cable Exit Angle: **15°**

Strain Relief: **With**

Primary Product Color: **Black**

Primary Product Material: **PBT GF**

Features

Product Type Features

Protection & Strain Relief Accessory Type	Cover Assembly
Connector System	Wire-to-Board, Wire-to-Device

Configuration Features

Number of Positions	40
---------------------	----

Body Features

Cable Exit Angle	15°
Primary Product Color	Black
Primary Product Material	PBT GF

Mechanical Attachment

Strain Relief	With
---------------	------

Usage Conditions

Operating Temperature (Max)	70 °C, 75 °C, 80 °C, 85 °C, 90 °C, 100 °C [158 °F][167 °F][176 °F][185 °F][194 °F][212 °F]
Operating Temperature Range	-40 – 100 °C[-40 – 212 °F]

Packaging Features

Packaging Quantity	180
Packaging Method	Box



Product Compliance

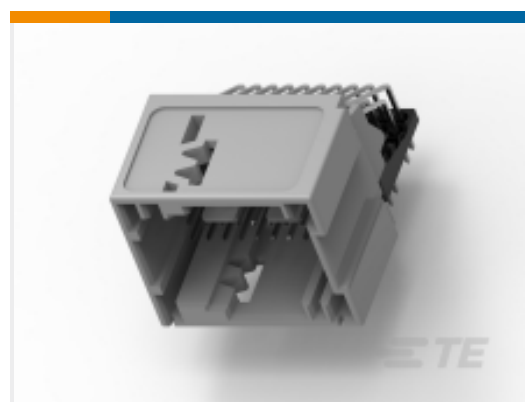
[For compliance documentation, visit the product page on TE.com>](#)

EU RoHS Directive 2011/65/EU	Compliant
EU ELV Directive 2000/53/EC	Compliant
China RoHS 2 Directive MIIT Order No 32, 2016	No Restricted Materials Above Threshold
EU REACH Regulation (EC) No. 1907/2006	Current ECHA Candidate List: JUNE 2022 (224) Candidate List Declared Against: JAN 2022 (223) SVHC > Threshold: Not Yet Reviewed
Halogen Content	Low Halogen - Br, Cl, F, I < 900 ppm per homogenous material. Also BFR/CFR/PVC Free
Solder Process Capability	Not reviewed for solder process capability

Product Compliance Disclaimer

This information is provided based on reasonable inquiry of our suppliers and represents our current actual knowledge based on the information they provided. This information is subject to change. The part numbers that TE has identified as EU RoHS compliant have a maximum concentration of 0.1% by weight in homogenous materials for lead, hexavalent chromium, mercury, PBB, PBDE, DBP, BBP, DEHP, DIBP, and 0.01% for cadmium, or qualify for an exemption to these limits as defined in the Annexes of Directive 2011/65/EU (RoHS2). Finished electrical and electronic equipment products will be CE marked as required by Directive 2011/65/EU. Components may not be CE marked. Additionally, the part numbers that TE has identified as EU ELV compliant have a maximum concentration of 0.1% by weight in homogenous materials for lead, hexavalent chromium, and mercury, and 0.01% for cadmium, or qualify for an exemption to these limits as defined in the Annexes of Directive 2000/53/EC (ELV). Regarding the REACH Regulation, the information TE provides on SVHC in articles for this part number is based on the latest European Chemicals Agency (ECHA) 'Guidance on requirements for substances in articles' posted at this URL: <https://echa.europa.eu/guidance-documents/guidance-on-reach>

Compatible Parts



TE Part # 1745060-1
40pos MQS .63 header 90deg



TE Part # 953118-5
40W MQS STRAIGHT HEADER

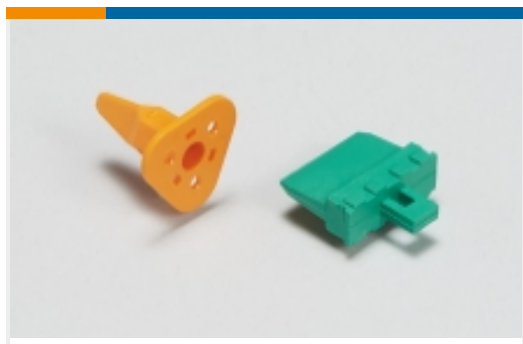
Also in the Series | **MQS**



Automotive Connector Caps & Covers (132)



Automotive Connector EMC Shielding (2)



Automotive Connector Locks & Position Assurance(29)



Automotive Housings(489)



Automotive Seals & Cavity Plugs(26)



Automotive Terminals(96)



Insertion & Extraction Tools(42)



Other Automotive Connector Accessories(13)



PCB Headers & Receptacles(207)

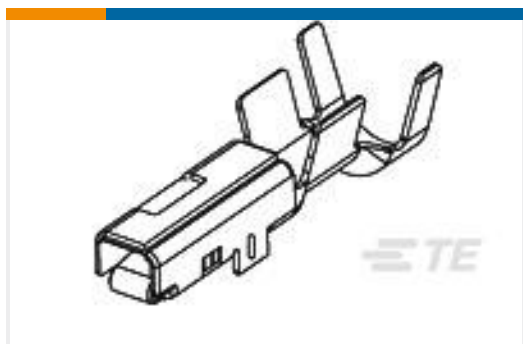
Customers Also Bought



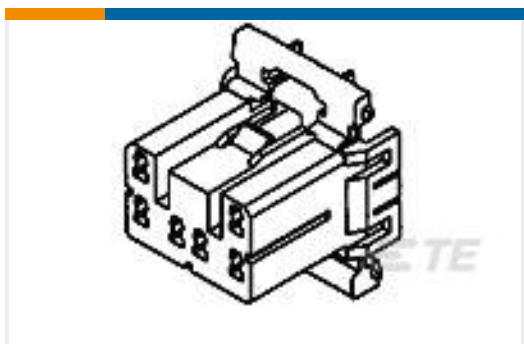
TE Part #953119-1
20POS MQS REC



TE Part #1743465-1
2.8MM MCP-E N-SLD REC(LL) CONT



TE Part #368289-1
090 II SEALED REC



TE Part #368540-2
070 MLC PLUG 8P HSG BLACK



TE Part #4-2098922-4
SDM,54P PLUG ASY,RHL,KEY D



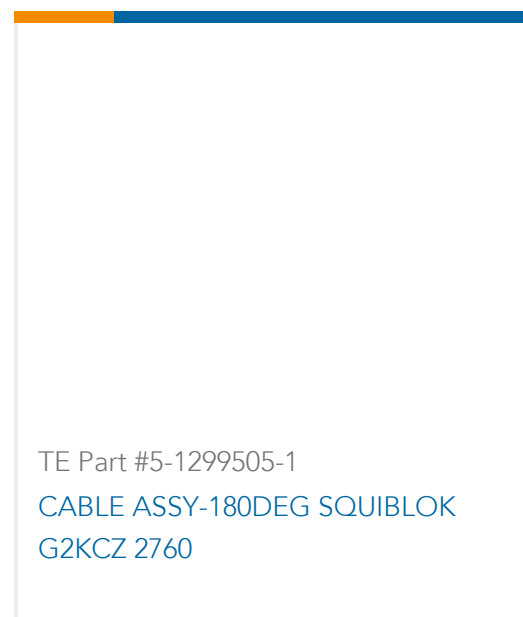
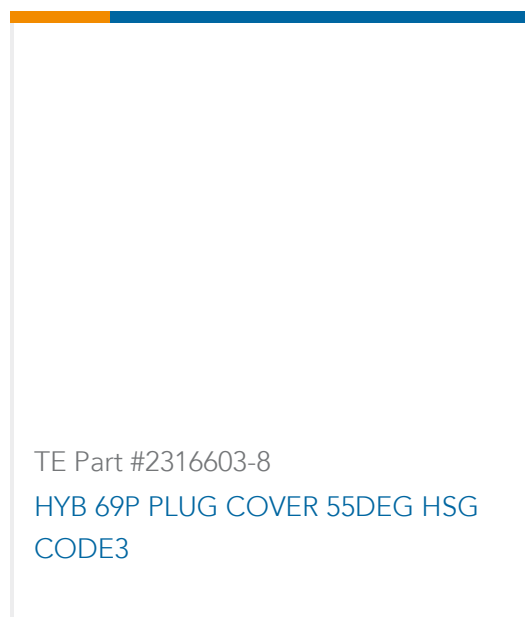
TE Part #5-2112502-7
38POS, MIXED,REC HSG,ASSY, SEALED



TE Part #1-1897725-3
MT-2 SLD 10 CAP HSG GRY



TE Part #2109263-1
LOWER COVER HSG-GSUV IEC



Documents

Product Drawings

[COVER ASSY 40 W MQS](#)

English

CAD Files

Customer View Model

[ENG_CVM_953122-5_O.3d_igs.zip](#)

English

Customer View Model

[ENG_CVM_953122-5_O.3d_stp.zip](#)

English

Customer View Model

[ENG_CVM_953122-5_O.2d_dxf.zip](#)

English

3D PDF

English

By downloading the CAD file I accept and agree to the [Terms and Conditions](#) of use.

Product Specifications

[Product Specification](#)

French

Instruction Sheets

[Instruction Sheet \(non U.S.\)](#)

French