



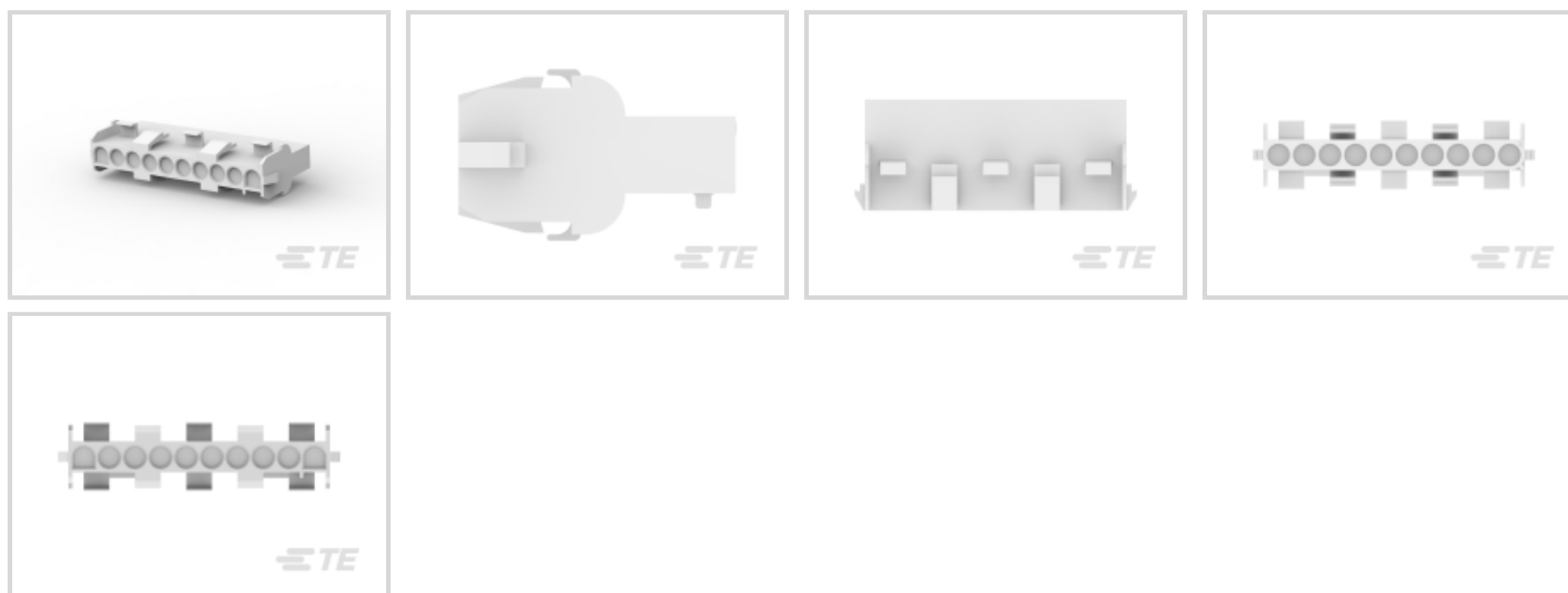
MATE-N-LOK | Universal MATE-N-LOK

TE Internal #: 926309-3

Rectangular Power Connectors, Housing, Receptacle, Wire-to-Wire / Wire-to-Panel, 10 Position, .25 in [6.35 mm] Centerline, Universal MATE-N-LOK

[View on TE.com >](#)

Connectors > Power Connectors > Rectangular Power > Rectangular Power Connectors



Rectangular Power Connector Type: **Housing**

Connector & Housing Type: **Receptacle**

Connector System: **Wire-to-Panel, Wire-to-Wire**

Number of Positions: **10**

Centerline (Pitch): **6.35 mm [.25 in]**

Features

Product Type Features

Rectangular Power Connector Type	Housing
Connector & Housing Type	Receptacle
Connector System	Wire-to-Panel, Wire-to-Wire
Sealable	No
Connector & Contact Terminates To	Wire & Cable

Configuration Features

Number of Positions	10
Number of Power Positions	0
Number of Signal Positions	0
Number of Rows	1

Electrical Characteristics

Operating Voltage	600 VAC
-------------------	---------

Contact Features

Multiple Contact Types	Without
------------------------	---------



Contact Layout	Inline
Contact Retention Within Housing	Without
Contact Type	Pin
Termination Features	
Termination Method to Wire & Cable	Crimp
Mechanical Attachment	
Panel Mount Feature	With
Panel Mount Feature Type	Patch & Tabs
Connector Mounting Type	Panel Mount
Housing Features	
Centerline (Pitch)	6.35 mm [.25 in]
Housing Color	Natural
Housing Material	PA 6.6
Dimensions	
Panel Thickness	.76 – 2.29 mm [.03 – .09 in]
Usage Conditions	
Operating Temperature Range	-55 – 105 °C [-67 – 221 °F]
Operation/Application	
Assembly Integration Feature	Without
Circuit Application	Power & Signal
Industry Standards	
UL Flammability Rating	UL 94V-0
Glow Wire Rating	Standard Part - Not Glow Wire
UL Rating	Recognized
Agency/Standard Number	E28476
VDE Tested	Yes
Agency/Standard	CSA, UL
Packaging Features	
Packaging Method	Bag
Packaging Quantity	700



Product Compliance

[For compliance documentation, visit the product page on TE.com>](#)

EU RoHS Directive 2011/65/EU	Compliant
EU ELV Directive 2000/53/EC	Compliant
China RoHS 2 Directive MIIT Order No 32, 2016	No Restricted Materials Above Threshold
EU REACH Regulation (EC) No. 1907/2006	Current ECHA Candidate List: JUNE 2022 (224) Candidate List Declared Against: JAN 2022 (223) SVHC > Threshold: Not Yet Reviewed
Halogen Content	Low Halogen - Br, Cl, F, I < 900 ppm per homogenous material. Also BFR/CFR/PVC Free
Solder Process Capability	Not applicable for solder process capability

Product Compliance Disclaimer

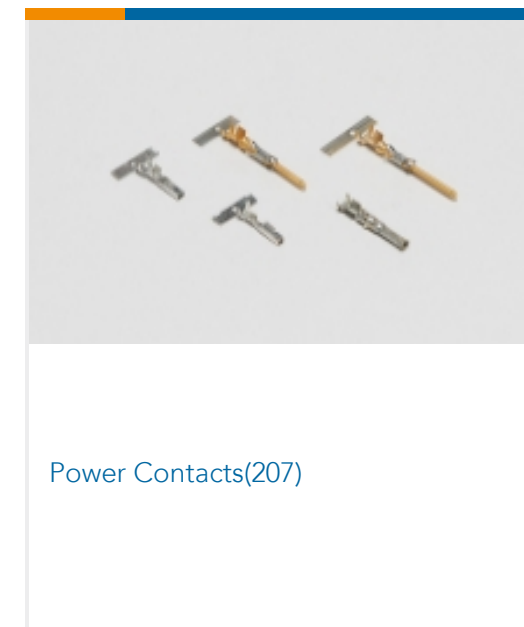
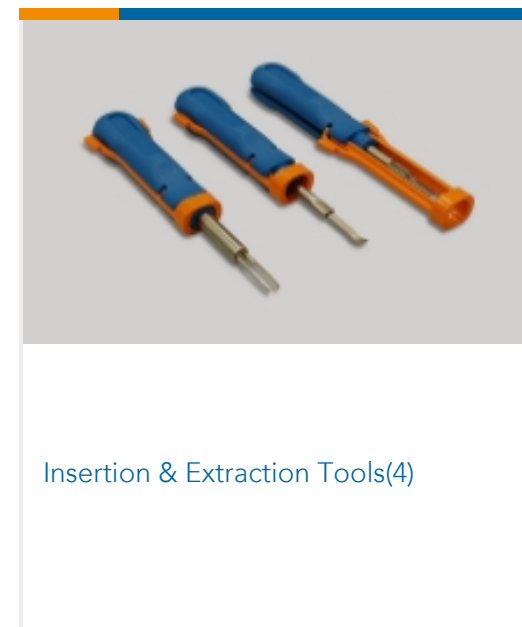
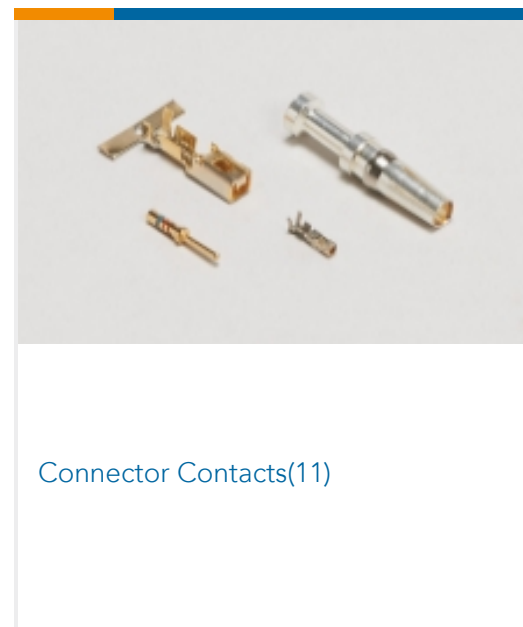
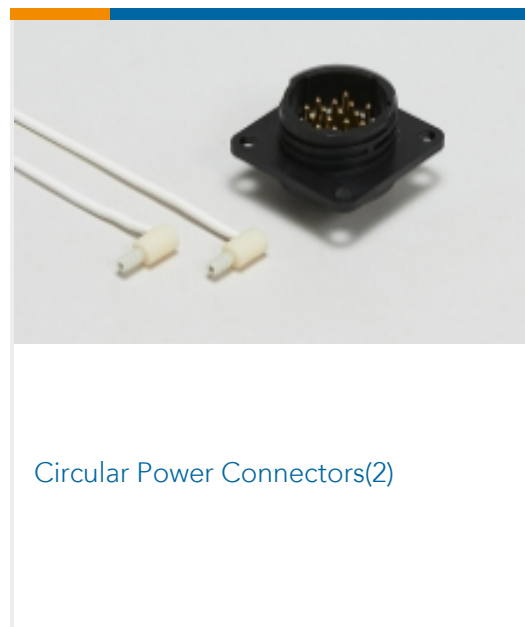
This information is provided based on reasonable inquiry of our suppliers and represents our current actual knowledge based on the information they provided. This information is subject to change. The part numbers that TE has identified as EU RoHS compliant have a maximum concentration of 0.1% by weight in homogenous materials for lead, hexavalent chromium, mercury, PBB, PBDE, DBP, BBP, DEHP, DIBP, and 0.01% for cadmium, or qualify for an exemption to these limits as defined in the Annexes of Directive 2011/65/EU (RoHS2). Finished electrical and electronic equipment products will be CE marked as required by Directive 2011/65/EU. Components may not be CE marked. Additionally, the part numbers that TE has identified as EU ELV compliant have a maximum concentration of 0.1% by weight in homogenous materials for lead, hexavalent chromium, and mercury, and 0.01% for cadmium, or qualify for an exemption to these limits as defined in the Annexes of Directive 2000/53/EC (ELV). Regarding the REACH Regulation, the information TE provides on SVHC in articles for this part number is based on the latest European Chemicals Agency (ECHA) 'Guidance on requirements for substances in articles' posted at this URL: <https://echa.europa.eu/guidance-documents/guidance-on-reach>

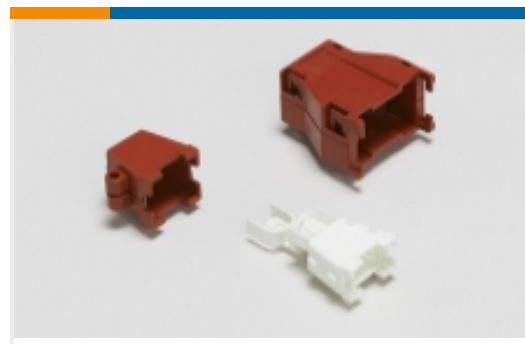
Compatible Parts

 <p>TE Part # 640309-6 UMNL PIN 12-10 AU/PHBZ</p>	 <p>TE Part # 350690-2 UMNL PIN 24-18 AUBR L/P</p>	 <p>TE Part # 926902-3 UNIV-MNL SPLIT ST</p>	 <p>TE Part # 350550-7 UMNL SOK 20-14 AU/BR L/P</p>
--	--	---	--

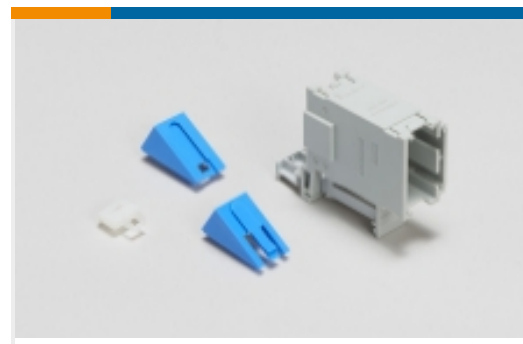


Also in the Series | **Universal MATE-N-LOK**

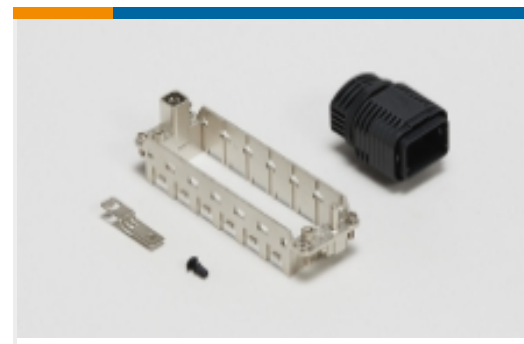




Rectangular Boots & Strain Relief(35)



Rectangular Connector Adapters(7)



Rectangular Connector Hardware(1)



Rectangular Connector Housings(2)



Rectangular Connector Keying Plugs(3)



Rectangular Connector Locking(4)



Rectangular Connector Seals(26)



Rectangular Power Connectors(729)

Customers Also Bought



TE Part #5-166051-1
HD 20 SOCKET ON MINI-REEL 500



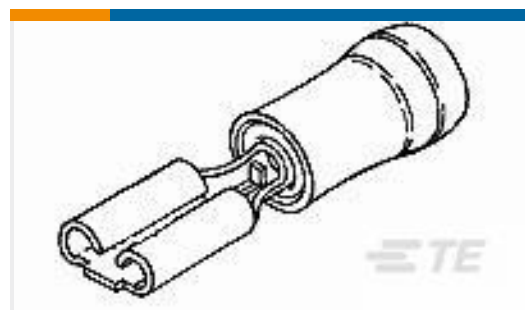
TE Part #350779-4
04P UMNL PLUG HSG UL94VO



TE Part #34151
PG R 22-16 COMM 22-18 MIL 5/16



TE Part #927231-3
HONHUS UMNL V0 9-P



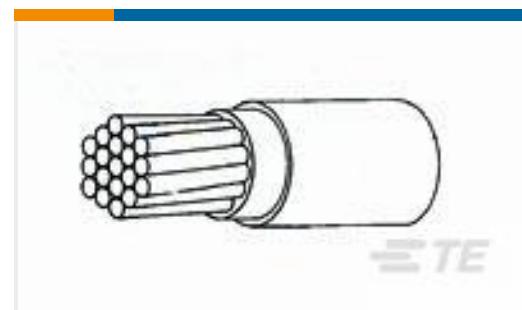
TE Part #165565-2
2,8 PIDG FASTON REC



TE Part #485003-1
RING 22-18 AWG 0.0195 X 0.5 NPST



TE Part #5-166053-1
COSI PIN CONTACT HD20 DF; 24-20 AWG



TE Part #2820203012
44A0111-20-0



TE Part #926647-2
15P UN-MNL AUFN-GEH

Documents



Product Drawings

10P UN-MNL AUFN-GEH

English

CAD Files

3D PDF

3D

Customer View Model

[ENG_CVM_CVM_926309-3_G_c-926309-3-g.2d_dxf.zip](#)

English

Customer View Model

[ENG_CVM_CVM_926309-3_G_c-926309-3-g.3d_igs.zip](#)

English

Customer View Model

[ENG_CVM_CVM_926309-3_G_c-926309-3-g.3d_stp.zip](#)

English

By downloading the CAD file I accept and agree to the [Terms and Conditions](#) of use.

Datasheets & Catalog Pages

SOFT_SHELL_PIN_SOCKET_CONNECTORS_STANDARD_DENSITY

English

2_PIECE_POWER_CONNECTORS_qrg_4-1773458-1

English

Product Specifications

Universal MATE-N-LOK Connector

English

Instruction Sheets

Instruction Sheet (U.S.)

English

Agency Approvals

CSA Certificate

English