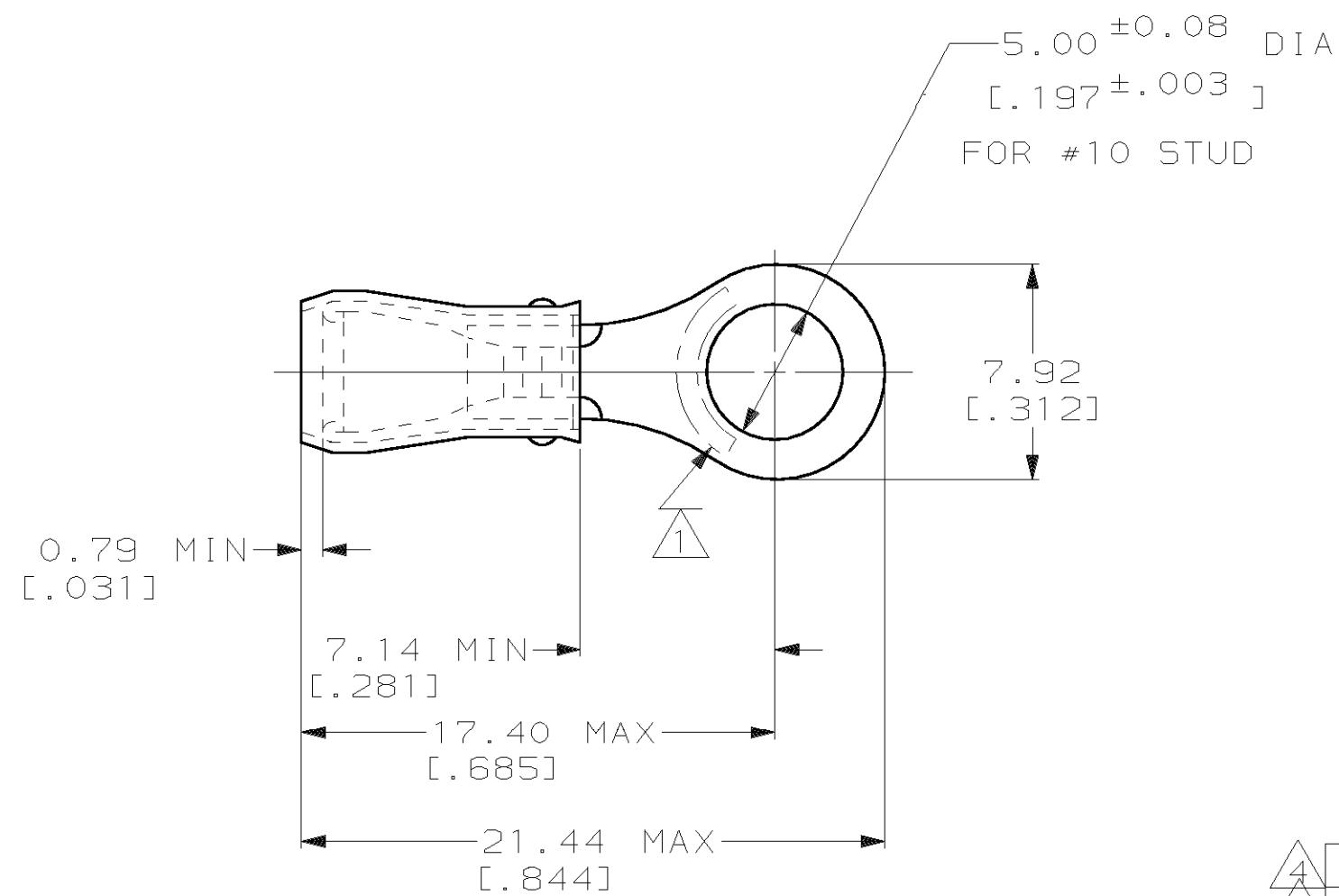


THIS DRAWING IS UNPUBLISHED. RELEASED FOR PUBLICATION, 19 .
 © COPYRIGHT 19 BY AMP INCORPORATED. ALL INTERNATIONAL RIGHTS RESERVED.

LOC	DIST	P	F	REVISIONS				
G	14			ZONE	LTR	DESCRIPTION	DATE	APPD
					R	REV PER OG3A-0246-01	26JUL01	SR TM

AMP WIRE RANGE	UL Listed	SR LR7189 Certified
22-16 AWG SOLID OR STRANDED	22-16 AWG SOLID OR STRANDED	22-16 AWG SOLID OR STRANDED



- ① STAMP AMP 22-18* APPROX AS SHOWN
22-16 TERMINALS ARE STAMPED 22-18 IN
ACCORDANCE WITH MILITARY SPEC MIL-T-7928
COMMERCIAL WIRE RANGE IS 22-16
- 2 WIRE INSUL DIA, 2.67-3.56 [.105-.140]
- 3 TONGUE MATERIAL THK, 0.79±0.05 [.031±.002]
- ④ SUPERSEDED BY 8-36154-5

④	-	25	LOOSE PIECE, BLS	9-36154-4
④	-	5	LOOSE PIECE, BLS	8-36154-4
-	-	50	LOOSE PIECE, BAG	8-36154-5
-	-	100	LOOSE PIECE, BOX	8-36154-1
-	MS 25036-103 CLASS 2	5000	ON TAPE, REEL	2-36154-2
-	MS 25036-103 CLASS 1 & 2	1000	LOOSE PIECE	36154
	MILITARY P/N AND CLASS	QUANTITY	PACKAGE TYPE	PART NO

AMP INCORPORATED
CUSTOMER SERVICE SYSTEMS

FOR ADDITIONAL
 PRODUCT INFORMATION OR
 COPIES OF DRAWINGS
 AND TECHNICAL DOCUMENTS

FOR APPLICATION
 TOOLING INFORMATION

FOR ORDER ENTRY

PRODUCT INFORMATION CENTER
 1-800-522-6752

TOOLING ASSISTANCE CENTER
 1-800-722-1111

1-800-526-5142

MAX RECOMMENDED OPERATING
 TEMPERATURE:
 105°C [221°F]

VOLTAGE RATING:
 300 V MAX

WIRE CROSS SECTIONAL AREA RANGE:
 0.26-1.65mm² [509-3,260] CIR MILS

THIS DRAWING IS A CONTROLLED DOCUMENT FOR
 AMP INCORPORATED. IT IS SUBJECT TO CHANGE
 AND THE CONTROLLING ENGINEERING ORGANIZATION
 SHOULD BE CONTACTED FOR THE LATEST REVISION.

DO NOT SCALE PRINT.
 UNLESS SPECIFIED
 DIMENSIONS IN mm [INCHES]
 TOLERANCES ON:
 2 PLC DEC ± 0.20[.008]
 3 PLC DEC ± -
 ANGLES ± -

MATERIAL
 COPPER ASTM B-152
 SLEEVE RED NYLON

FINISH
 TIN PLATE
 PER ASTM B 545

DR 02/16/93
 DK SCHRUM

CHK 4/28/93
 RE HERSEY

APPD 4/28/93
 ML ELLIS

APPD 4/28/93
 M BARNABA

PRODUCT SPEC
 UL 486A

APPLICATION SPEC
 NOT AVAILABLE

WEIGHT -

AMP AMP Incorporated
 Harrisburg, PA 17105-3608

NAME
 TERMINAL, RING TONGUE,
 PIDG™, WIRE SIZE : 22-16 AWG

SIZE **B** CAGE CODE 00779 DRAWING NO **C-36154**

SCALE 4:1 SHEET 1 OF 1