



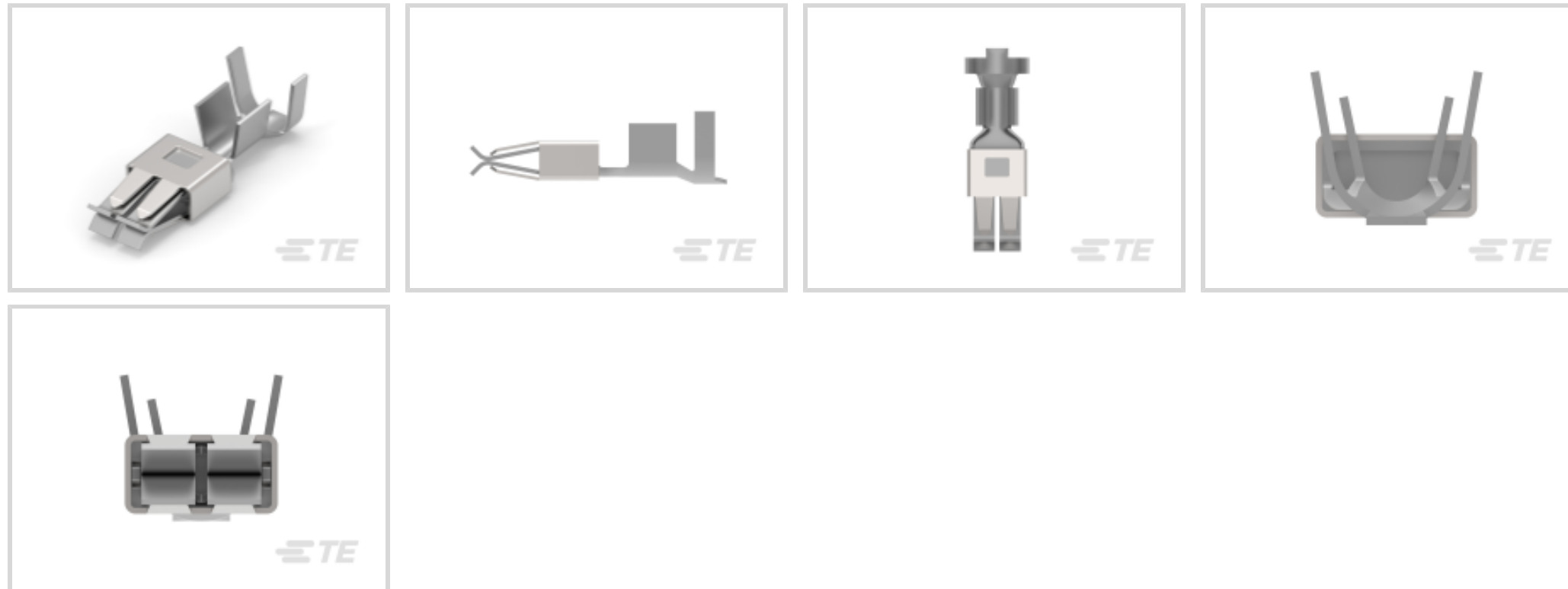
AMP | Timer Connector System

TE Internal #: 963894-1

Automotive Terminals, Receptacle, Mating Tab Width 5.8 mm [.228 in], Tab Thickness .031 in [.8 mm], 13 – 11 AWG Wire Size, Timer Connector System

[View on TE.com >](#)

Terminals & Splices > Automotive Terminals > TIMER, RECEPTACLE AND TAB



Terminal Type: **Receptacle**

Mating Tab Width: **5.8 mm [.228 in]**

Mating Tab Thickness: **.8 mm [.031 in]**

Terminal Transmits: **25 – 40 A (Power)**

Wire Size: **13 – 11 AWG**

[All TIMER, RECEPTACLE AND TAB \(344\)](#)

## Features

### Product Type Features

Sealable	No
Primary Locking Feature	Clean Body

### Contact Features

Contact Size	6.3mm
Contact Fabrication	Stamped & Formed
Crimp Type	F-Crimp
Terminal Type	Receptacle
Mating Tab Width	5.8 mm[.228 in]
Mating Tab Thickness	.8 mm[.031 in]
Interface Plating	Tin (Sn)
Contact Termination Area Plating Material	Tin (Sn)

### Termination Features

--	--



Termination Method to Wire & Cable	Crimp
------------------------------------	-------

Product Terminates To	Wire
-----------------------	------

### Dimensions

Wire Size	2.5 – 4 mm <sup>2</sup>
-----------	-------------------------

Wire Size Search	11 AWG, 12 AWG, 13 AWG
------------------	------------------------

Wire Insulation Diameter	4.5 – 4.8 mm [.177 – .188 in]
--------------------------	-------------------------------

### Usage Conditions

Insulation Option	Uninsulated
-------------------	-------------

Operating Temperature (Max)	80 °C, 85 °C, 90 °C, 100 °C, 105 °C, 110 °C, 120 °C, 125 °C [176 °F][185 °F][194 °F][212 °F] [221 °F][230 °F][248 °F][257 °F]
-----------------------------	---

Operating Temperature Range	-40 – 125 °C [-40 – 257 °F]
-----------------------------	-----------------------------

### Operation/Application

Compatible With Wire Base Material	Copper
------------------------------------	--------

### Packaging Features

Packaging Method	Reel
------------------	------

Packaging Quantity	2300
--------------------	------

### Other

Terminal Transmits	25 – 40 A (Power)
--------------------	-------------------

## Product Compliance

[For compliance documentation, visit the product page on TE.com>](#)

EU RoHS Directive 2011/65/EU	Compliant
------------------------------	-----------

EU ELV Directive 2000/53/EC	Compliant
-----------------------------	-----------

China RoHS 2 Directive MIIT Order No 32, 2016	No Restricted Materials Above Threshold
---	---

EU REACH Regulation (EC) No. 1907/2006	Current ECHA Candidate List: JUNE 2022 (224) Candidate List Declared Against: JAN 2022 (223) SVHC > Threshold: Not Yet Reviewed
--	--

Halogen Content	Low Halogen - Br, Cl, F, I < 900 ppm per homogenous material. Also BFR/CFR/PVC Free
-----------------	---

Solder Process Capability	Not applicable for solder process capability
---------------------------	--

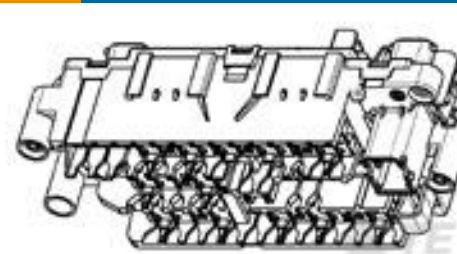
Product Compliance Disclaimer

This information is provided based on reasonable inquiry of our suppliers and represents our current actual knowledge based on the information they provided. This information is subject to change. The part numbers that TE has identified as EU RoHS compliant have a maximum concentration of 0.1% by weight in homogenous materials for lead, hexavalent chromium, mercury, PBB, PBDE, DBP, BBP, DEHP, DIBP, and 0.01% for cadmium, or qualify for an exemption to these limits as defined in the Annexes of Directive 2011/65/EU (RoHS2). Finished electrical and electronic equipment products will be CE marked as required by Directive 2011/65/EU. Components may not be CE marked. Additionally, the part numbers that TE has identified as EU ELV compliant have a maximum concentration of 0.1% by weight in homogenous materials for lead, hexavalent chromium, and mercury, and 0.01% for cadmium, or qualify for an exemption to these limits as defined in the Annexes of Directive 2000/53/EC (ELV). Regarding the REACH Regulation, the information TE provides on SVHC in articles for this part number is based on the latest European Chemicals Agency (ECHA) 'Guidance on requirements for substances in articles' posted at this URL: <https://echa.europa.eu/guidance-documents/guidance-on-reach>

## Compatible Parts



TE Part # 2305570-1  
TERMINAL CUTTER, SIDE FEED



TE Part # 1544266-1  
FUSE BOX ASSY LEADFRAME BFH12



TE Part # 1544647-1  
BFH 5



TE Part # 2-2266639-1  
OCEAN\_2.0\_Applicator-S-120F1800V



TE Part # 2-2266639-2  
OCEAN\_2.0\_Applicator-S-120F1800VA



TE Part # 2266639-1  
OCEAN\_2.0\_Applicator-S-120F1800V



TE Part # 2266639-2  
OCEAN\_2.0\_Applicator-S-120F1800VA



TE Part # 6-1579018-9  
EXTRACTION TOOL



TE Part # 7-2266639-1  
OCEAN\_2.0\_Applicator-S-120F1800V



TE Part # 7-2266639-2  
OCEAN\_2.0\_Applicator-S-120F1800VA



**KIT**  
REPRESENTATION ONLY

TE Part # 7-2266639-7  
OCEAN\_2.0\_SPARE\_PART\_KIT-120F1800V

## Also in the Series | Timer Connector System



Automotive Connector Caps & Covers (11)



Automotive Connector Locks & Position Assurance(16)



Automotive Housings(219)



Automotive Seals & Cavity Plugs(31)



Automotive Terminals(138)



Crimp Terminal Housings(13)



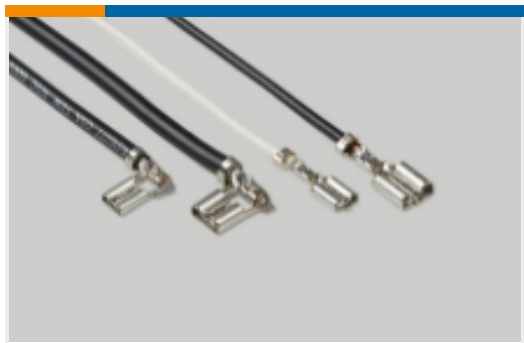
Insertion & Extraction Tools(20)



Other Automotive Connector Accessories(1)



PCB Headers & Receptacles(78)



Quick Disconnects(4)

## Customers Also Bought



TE Part #2177909-1  
MCON 0.50 TERMINAL



TE Part #1241978-2  
JPT A REC 2.8 Contact SRC Sn



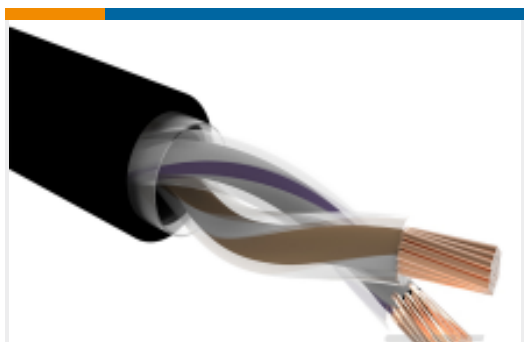
TE Part #1379659-3  
8W PLUG HOUSING ASSY BLUE



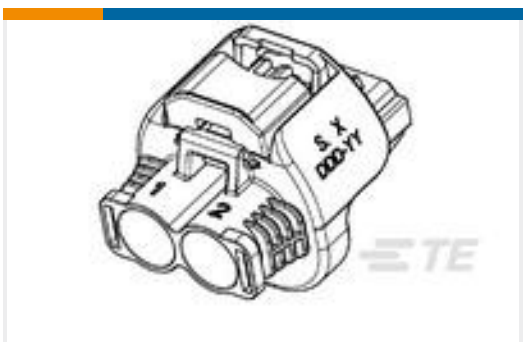
TE Part #1544107-1  
CLIPS 8 MM G2 MAXI



TE Part #1544965-1  
8MM NG1+ TERMINAL



TE Part #CQ55993001  
ACW4249-0.75-0/1/6/9-0

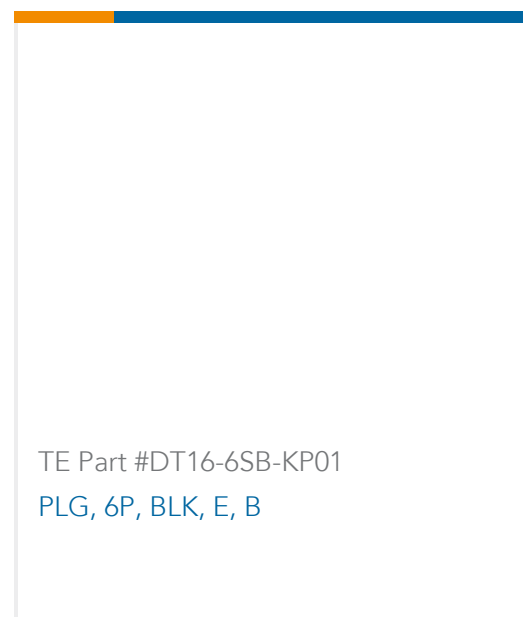
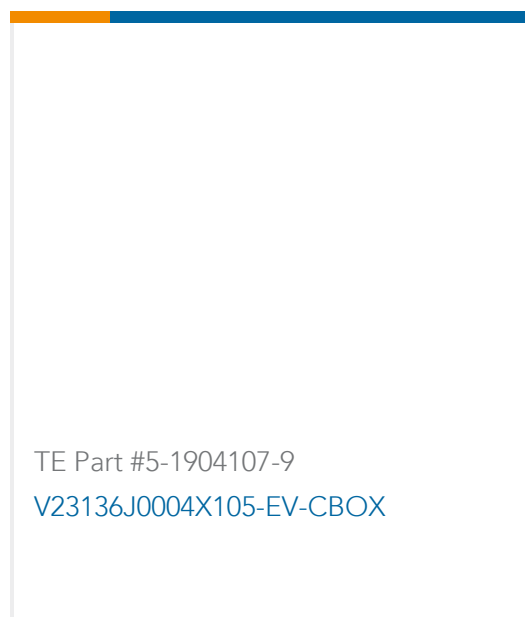


TE Part #1544978-1  
RECEPT HSG ASSY, 8MM NG1+, 2W, SEALED



TE Part #1801620-2  
2 MICRORELAYS HOLDER





## Documents

### Product Drawings

[STECKHUELSE 6,3](#)

English

### CAD Files

[3D PDF](#)

3D

Customer View Model

[ENG\\_CVM\\_CVM\\_963894-1\\_J.2d\\_dxf.zip](#)

English

Customer View Model

[ENG\\_CVM\\_CVM\\_963894-1\\_J.3d\\_igs.zip](#)

English

Customer View Model

[ENG\\_CVM\\_CVM\\_963894-1\\_J.3d\\_stp.zip](#)

English

By downloading the CAD file I accept and agree to the [Terms and Conditions](#) of use.

### Datasheets & Catalog Pages

[Timer Interconnection System](#)

English