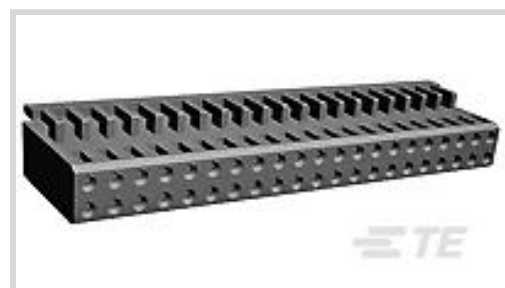




Connectors > PCB Connectors > Wire-to-Board Connectors > Wire-to-Board Connector Assemblies & Housings



Connector Product Type: **Housing**

Connector & Housing Type: **Receptacle**

Connector System: **Wire-to-Board**

Number of Positions: **6**

Centerline (Pitch): **2.54 mm [.1 in]**

Features

Product Type Features

Connector Product Type	Housing
Connector & Housing Type	Receptacle
Connector System	Wire-to-Board
Connector & Contact Terminates To	Wire & Cable

Configuration Features

Number of Positions	6
Number of Rows	2

Electrical Characteristics

Operating Voltage	250 VAC
-------------------	---------

Contact Features

Contact Type	Socket
Contact Current Rating (Max)	3 A

Termination Features

Termination Method to Wire & Cable	Crimp
------------------------------------	-------

Mechanical Attachment

Strain Relief	Without
PCB Mount Retention	With
Mating Retention	Without



Connector Mounting Type	Cable Mount (Free-Hanging)
-------------------------	----------------------------

Housing Features

Housing Entry Configuration	Both Ends Closed
Housing Material	Crastin SK642FR
Centerline (Pitch)	2.54 mm [.1 in]
Housing Color	Black

Dimensions

Connector Length	7.62 mm [.29 in]
Row-to-Row Spacing	2.54 mm [.1 in]

Usage Conditions

Operating Temperature Range	-65 – 105 °C [-85 – 221 °F]
-----------------------------	-----------------------------

Operation/Application

Circuit Application	Signal
---------------------	--------

Industry Standards

UL Flammability Rating	UL 94V-0
------------------------	----------

Packaging Features

Packaging Quantity	1000
Packaging Method	Bag

Product Compliance

[For compliance documentation, visit the product page on TE.com>](#)

EU RoHS Directive 2011/65/EU	Compliant
EU ELV Directive 2000/53/EC	Compliant
China RoHS 2 Directive MIIT Order No 32, 2016	No Restricted Materials Above Threshold
EU REACH Regulation (EC) No. 1907/2006	Current ECHA Candidate List: JUNE 2022 (224) Candidate List Declared Against: JAN 2022 (223) SVHC > Threshold: Not Yet Reviewed
Halogen Content	Not Low Halogen - contains Br or Cl > 900 ppm.
Solder Process Capability	Not applicable for solder process capability

Product Compliance Disclaimer

This information is provided based on reasonable inquiry of our suppliers and represents our current actual knowledge based on the information they provided. This information is subject to change. The part numbers that TE has identified as EU RoHS compliant have a maximum concentration of 0.1% by weight in homogenous materials for lead, hexavalent chromium, mercury, PBB, PBDE, DBP, BBP, DEHP, DIBP, and 0.01% for cadmium, or qualify for an exemption to these limits as defined in the Annexes of Directive 2011/65/EU (RoHS2). Finished electrical and electronic equipment products will be CE marked as required by Directive 2011/65/EU. Components may not be CE marked. Additionally, the part numbers that TE has identified as EU ELV compliant have a maximum concentration of 0.1% by weight in homogenous materials for lead, hexavalent chromium, and mercury, and 0.01% for cadmium, or qualify for an exemption to these limits as defined in the Annexes of Directive 2000/53/EC (ELV). Regarding the REACH Regulation, the information TE provides on SVHC in articles for this part number is based on the latest European Chemicals Agency (ECHA) 'Guidance on requirements for substances in articles' posted at this URL: <https://echa.europa.eu/guidance-documents/guidance-on-reach>

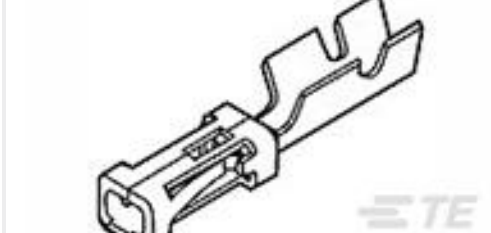
Compatible Parts



TE Part # 826470-3
2X3P MOD II SHROUDED HEADER, RT ANG.



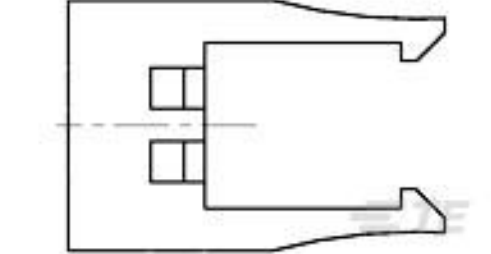
TE Part # 826469-3
2X3P MOD II SHROUDED HEADER, ST



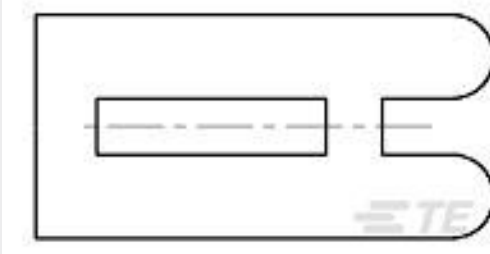
TE Part # 1-141708-1
MOD IV RECEPTACLE, CRIMP SNAP IN, LP



TE Part # 141708-1
MOD-4 REC.CONT.SCP.



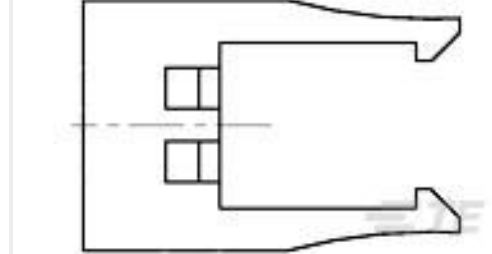
TE Part # 926477-1
RETENTION FORK



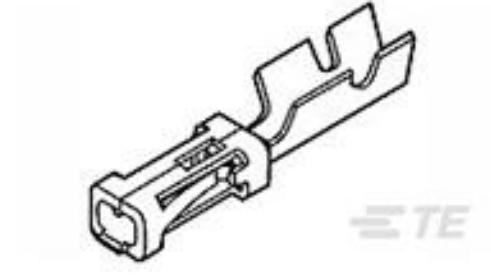
TE Part # 926498-3
MOD2 KODIERSTUECK



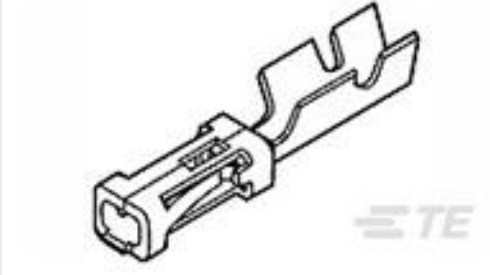
TE Part # 167021-2
MOD-4 REC.CONT.SCP.



TE Part # 926477-3
MOD4 RASTHAKEN



TE Part # 167301-4
MOD-4 REC.CONT.SCP



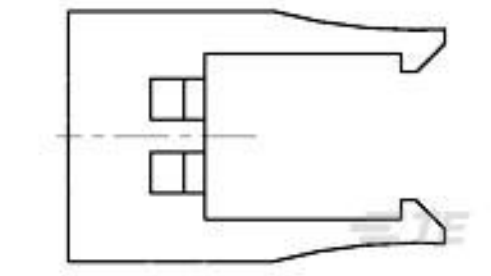
TE Part # 2-167301-4
MOD-4 REC.CONT.SCP



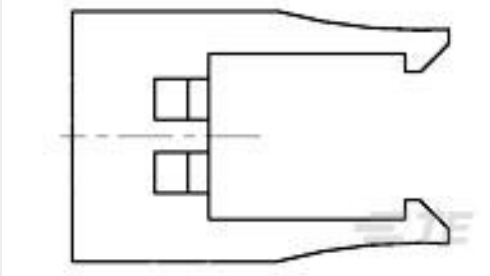
TE Part # 2-167301-2
MOD-4 REC.CONT.SCP



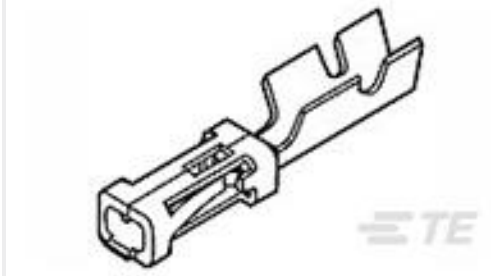
TE Part # 167024-1
MOD-4 REC.CONT.SCP.



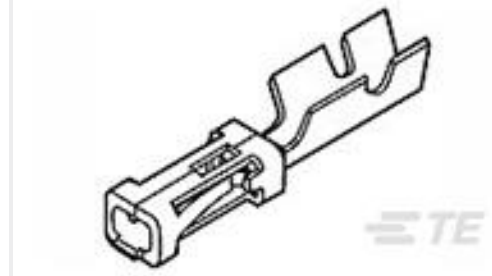
TE Part # 926478-1
RETENTION FORK



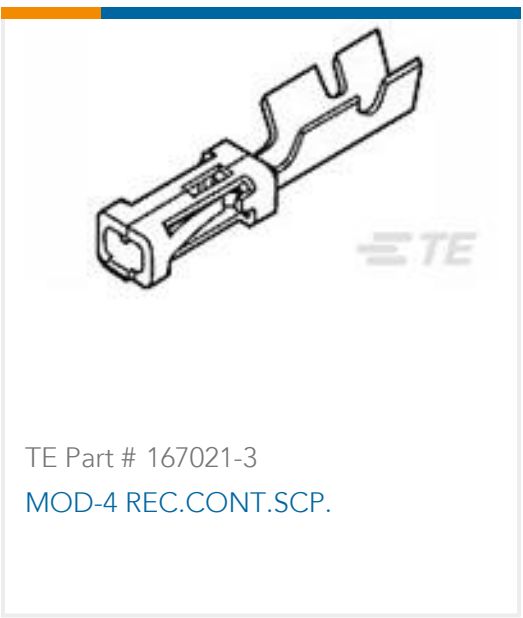
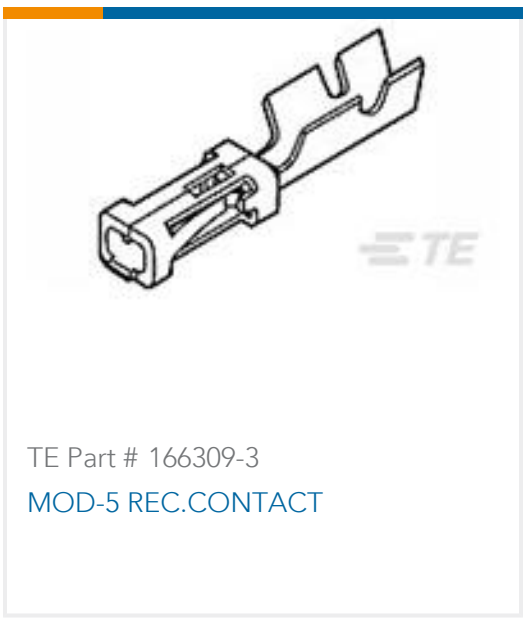
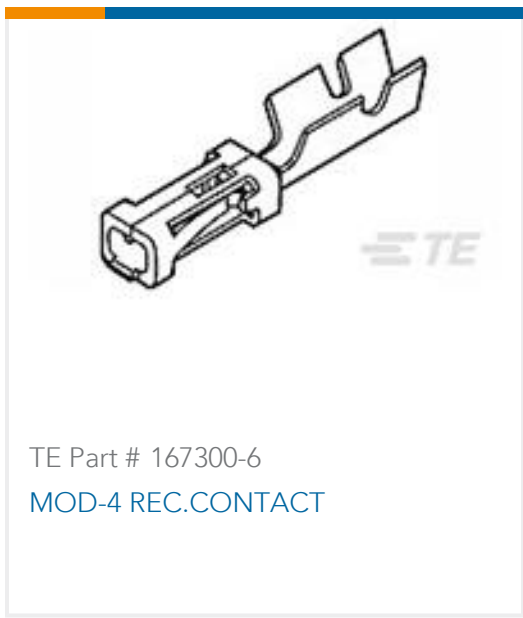
TE Part # 926478-3
MOD4 RASTHAKEN



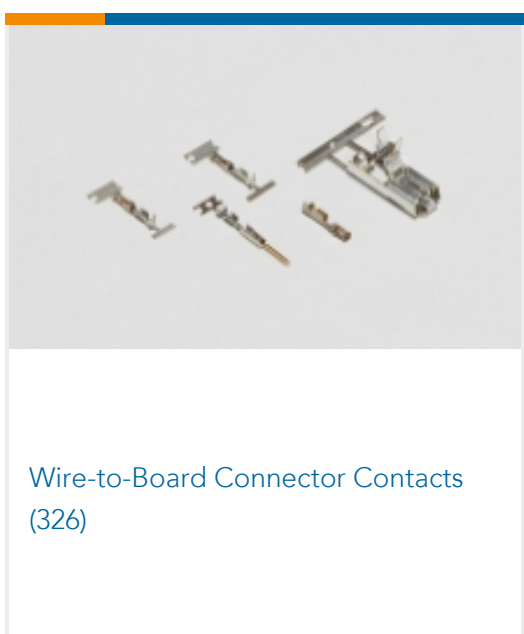
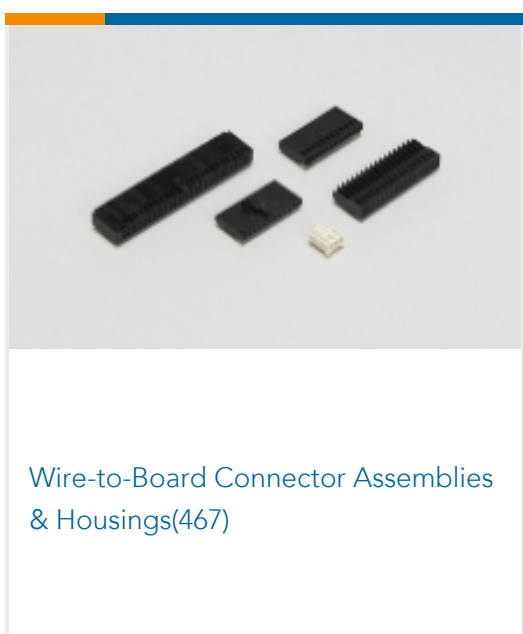
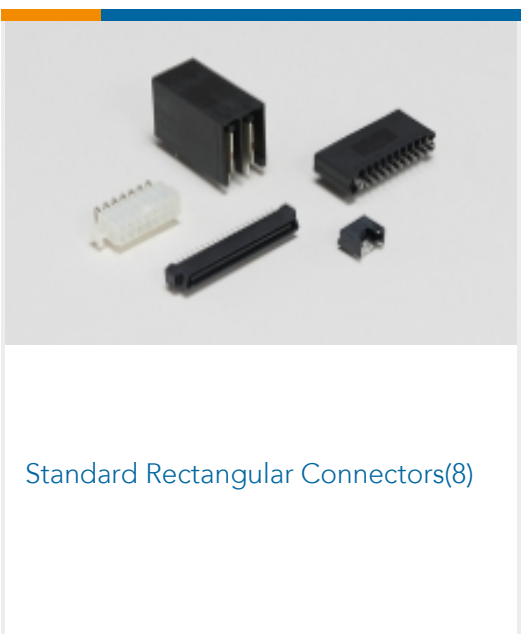
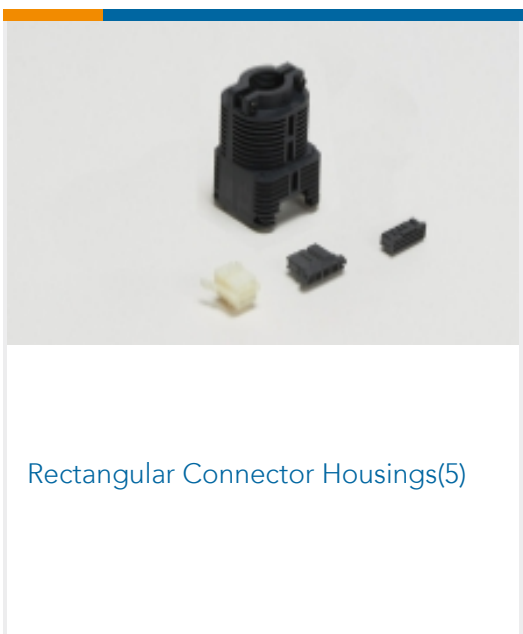
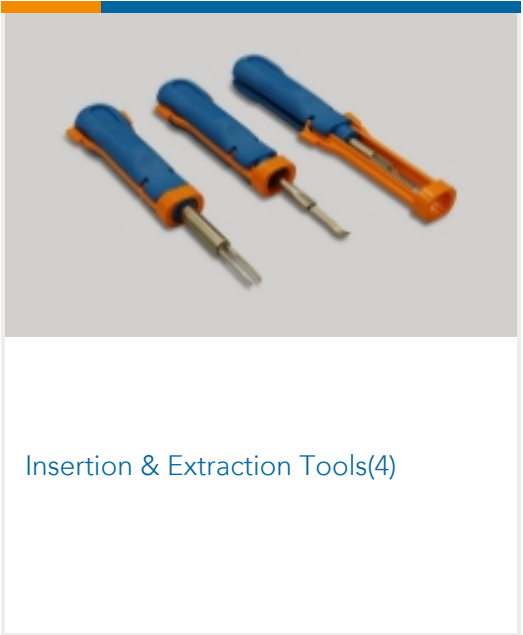
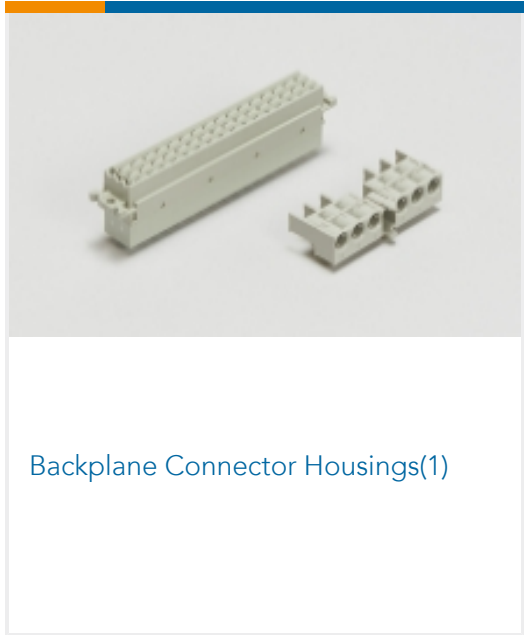
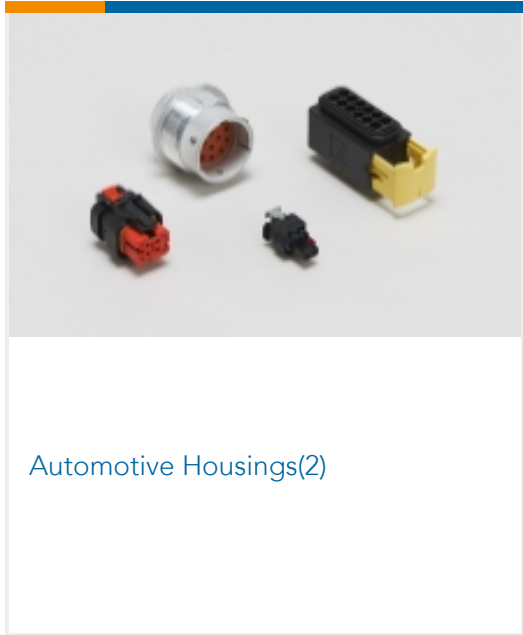
TE Part # 167023-1
MOD-4 REC.CONTACT



TE Part # 166310-2
MOD-5 REC.CONTACT



Also in the Series | AMPMODU IV/V



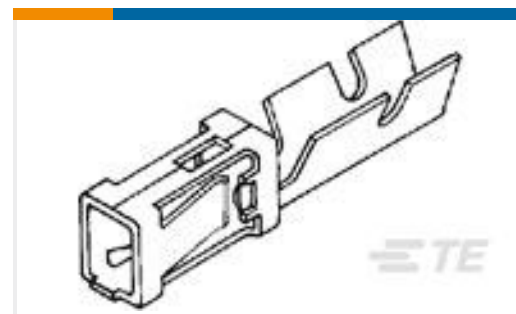
Customers Also Bought



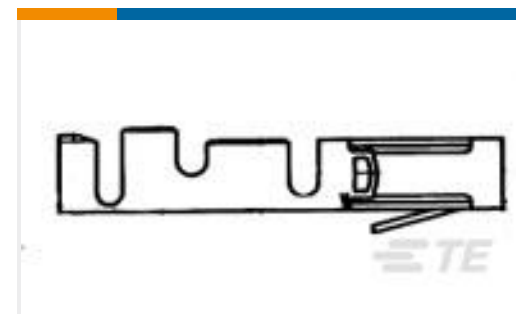
TE Part #2-5050871-3
SOCKET,MIN-SPR SN-AU SER-5



TE Part #180430-2
250 FASTON,FLAG,REC.,20-16 AWG,
TPBR



TE Part #280621-2
MOD 1 CONT STRIP



TE Part #280530-2
AMP MODU MOD 2 CONT



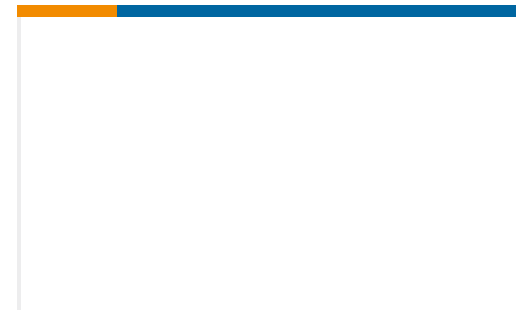
TE Part #9-927742-2
2POS FASTIN FASTON HOUSING



TE Part #1-104257-4
15 MTE RCPT HSG SR LATCH .100



TE Part #926475-5
MOD 4 HSG



TE Part #2-1768423-0
LBG-U-03417/1/ETI3344

Documents

Product Drawings

MOD 4 HSG

English

CAD Files

3D PDF

English

Customer View Model

[ENG_CVM_926476-3_O.3d_igs.zip](#)

English

Customer View Model

[ENG_CVM_926476-3_O.3d_stp.zip](#)

English

Customer View Model

[ENG_CVM_926476-3_O.2d_dxf.zip](#)

English

By downloading the CAD file I accept and agree to the [Terms and Conditions](#) of use.

Product Specifications

Product Specification

English

Agency Approvals

UL Report

English