

**SPECIFICATIONS**

**Mechanical**

**Contact Retention Force:** 0.75Lbs (0.34kgf) min. per Contact  
**Durability:** 25 Cycles  
**Dram Board Insertion Force:** 3 oz max. per Contact

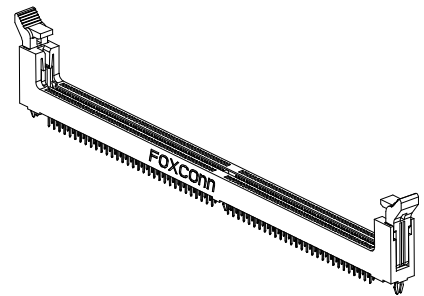
**Electrical**

**Voltage Raging:** 250V AC  
**Current Rating:** 1.0A max., 30 max., in Temperature Rise  
**Insulation Resistance:** 1000MW min. initial  
**Dielectric Withstanding Voltage:** 500V AC at Sea Level  
**Low Level Contact Resistance:** 30mW max. initial

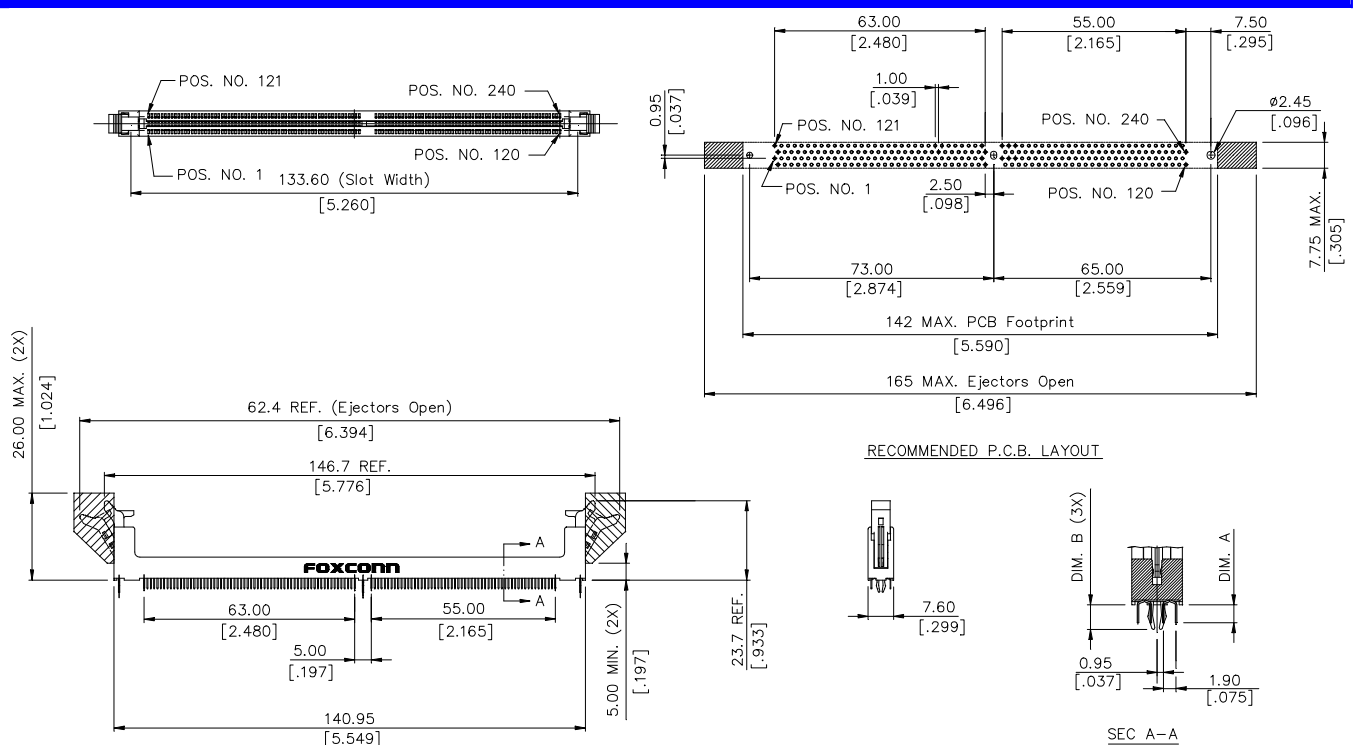
**Physical**

**Housing:** Thermoplastic, UL 94V-0 rated in Black Color  
**Contact:** Copper alloy  
**Ejector:** Thermoplastic, UL 94V-0 rated in Ivory or Natural Color  
**Metal Hold Down:** Copper alloy  
**Operating Temperature:** -55 to +105

**AT240 Series**  
**Vertical Type, T/H Type**  
**1.00mm [.039"] Pitch**  
**240 Pos.**



**DRAWING**



**ORDERING INFORMATION**

**PRODUCT NO.:** A T 2 4 0 \* \* - H3B- \* \*

Memory Socket Vertical  
 DDR II DIMM 1.00mm Pitch  
 No. of Pos. 40=240 Pos.  
 Tail Length 0=3.18 [.125] 1=2.67 [.105]

PLATING TYPE 4F=LEAD FREE  
 Extension Code  
 Contact Area Plating  
 1=Gold Flash  
 2=20u" Gold  
 3=30u" Gold  
 6=10u" Gold  
 7=15u" Gold

AT2400*-H3B-4F	240	1.8V	3.18 [.125]	4.57 [.180]
AT2401*-H3B-4F		1.8V	2.67 [.105]	3.78 [.149]
P/N	POS.	VOLTAGE MARKING	DIM. A	DIM. B