



Connectors > PCB Connectors > Wire-to-Board Connectors > Wire-to-Board Connector Assemblies & Housings

Connector Product Type: **Housing**

Connector & Housing Type: **Receptacle**

Connector System: **Wire-to-Board**

Number of Positions: **8**

Centerline (Pitch): **2.54 mm [.1 in]**

## Features

### Product Type Features

Connector Product Type	Housing
Connector & Housing Type	Receptacle
Connector System	Wire-to-Board
Connector & Contact Terminates To	Wire & Cable

### Configuration Features

Number of Positions	8
Number of Rows	1

### Electrical Characteristics

Operating Voltage	250 VAC
-------------------	---------

### Contact Features

Contact Layout	Inline
Contact Type	Socket
Contact Current Rating (Max)	3 A

### Termination Features

Termination Method to Wire & Cable	Crimp
------------------------------------	-------

### Mechanical Attachment

Strain Relief	Without
Mating Retention	Without
Connector Mounting Type	Cable Mount (Free-Hanging)



### Housing Features

Housing Entry Configuration	Both Ends Closed
Housing Material	Polyamide
Centerline (Pitch)	2.54 mm [.1 in]
Housing Color	Green

### Dimensions

	.55 in
Row-to-Row Spacing	2.54 mm [.1 in]

### Usage Conditions

Operating Temperature Range	-65 – 105 °C [-85 – 221 °F]
-----------------------------	-----------------------------

### Operation/Application

Circuit Application	Signal
---------------------	--------

### Industry Standards

Glow Wire Rating	Standard Part - Not Glow Wire
UL Flammability Rating	UL 94V-0

### Packaging Features

Packaging Quantity	1000
Packaging Method	Carton

### Product Compliance

[For compliance documentation, visit the product page on TE.com>](#)

EU RoHS Directive 2011/65/EU	Compliant
EU ELV Directive 2000/53/EC	Compliant
China RoHS 2 Directive MIIT Order No 32, 2016	No Restricted Materials Above Threshold
EU REACH Regulation (EC) No. 1907/2006	Current ECHA Candidate List: JUNE 2022 (224) Candidate List Declared Against: JAN 2022 (223) SVHC > Threshold: Not Yet Reviewed
Halogen Content	BFR/CFR/PVC Free, but Br/Cl >900 ppm in other sources.
Solder Process Capability	Not applicable for solder process capability

Product Compliance Disclaimer

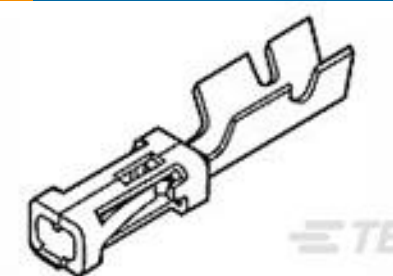


This information is provided based on reasonable inquiry of our suppliers and represents our current actual knowledge based on the information they provided. This information is subject to change. The part numbers that TE has identified as EU RoHS compliant have a maximum concentration of 0.1% by weight in homogenous materials for lead, hexavalent chromium, mercury, PBB, PBDE, DBP, BBP, DEHP, DIBP, and 0.01% for cadmium, or qualify for an exemption to these limits as defined in the Annexes of Directive 2011/65/EU (RoHS2). Finished electrical and electronic equipment products will be CE marked as required by Directive 2011/65/EU. Components may not be CE marked. Additionally, the part numbers that TE has identified as EU ELV compliant have a maximum concentration of 0.1% by weight in homogenous materials for lead, hexavalent chromium, and mercury, and 0.01% for cadmium, or qualify for an exemption to these limits as defined in the Annexes of Directive 2000/53/EC (ELV). Regarding the REACH Regulation, the information TE provides on SVHC in articles for this part number is based on the latest European Chemicals Agency (ECHA) 'Guidance on requirements for substances in articles' posted at this URL: <https://echa.europa.eu/guidance-documents/guidance-on-reach>

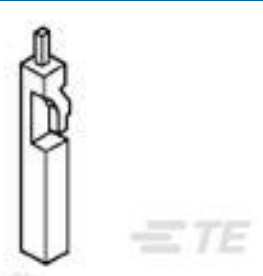
### Compatible Parts



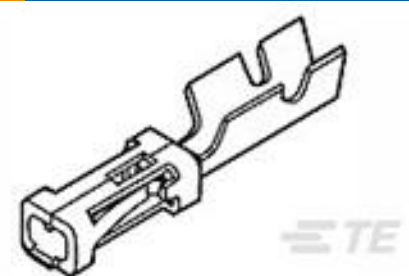
TE Part # 826629-8  
AMPMODU II HEADER



TE Part # 1-141708-1  
MOD IV RECEPTACLE, CRIMP SNAP IN, LP



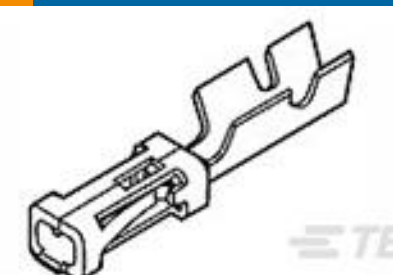
TE Part # 926519-2  
KEYING PLUG



TE Part # 141708-1  
MOD-4 REC.CONT.SCP.



TE Part # 167021-2  
MOD-4 REC.CONT.SCP.



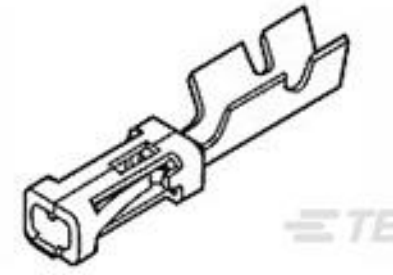
TE Part # 167301-4  
MOD-4 REC.CONT.SCP



TE Part # 2-167301-4  
MOD-4 REC.CONT.SCP



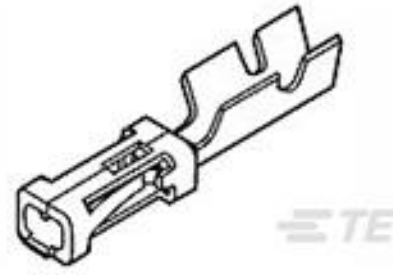
TE Part # 2-167301-2  
MOD-4 REC.CONT.SCP



TE Part # 167024-1  
MOD-4 REC.CONT.SCP.



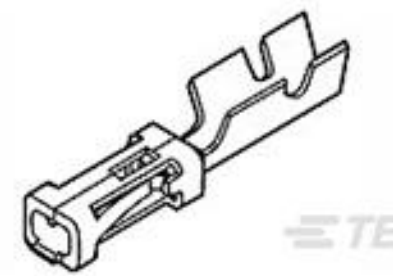
TE Part # 1241150-8  
8P MOD II BREAK AWAY HDR, SMD, BLISTER



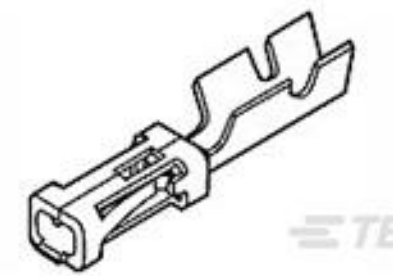
TE Part # 167023-1  
MOD-4 REC.CONTACT



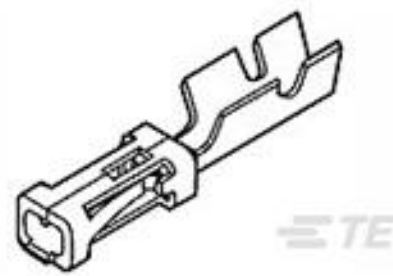
TE Part # 166310-2  
MOD-5 REC.CONTACT



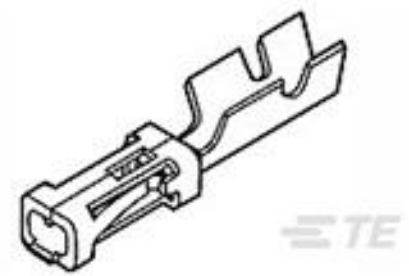
TE Part # 167300-6  
MOD-4 REC.CONTACT



TE Part # 167300-8  
MOD-4 REC.CONTACT



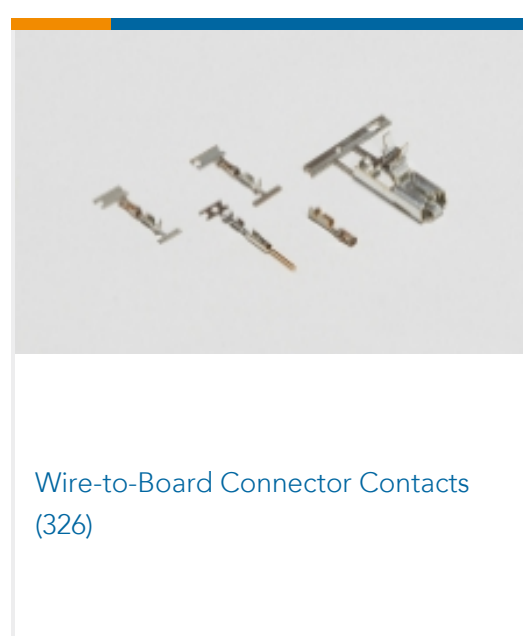
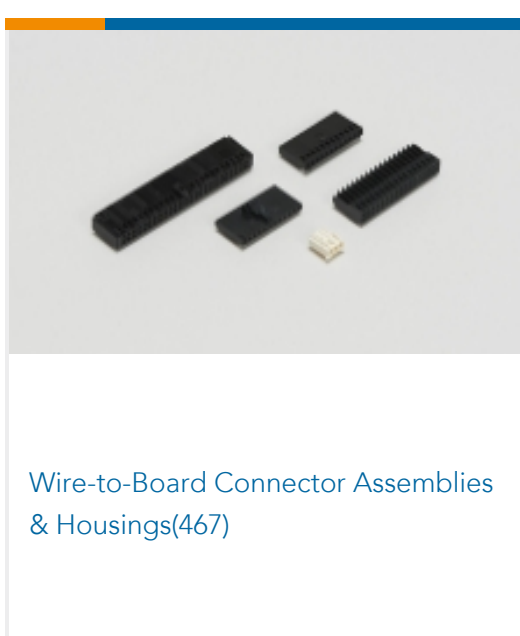
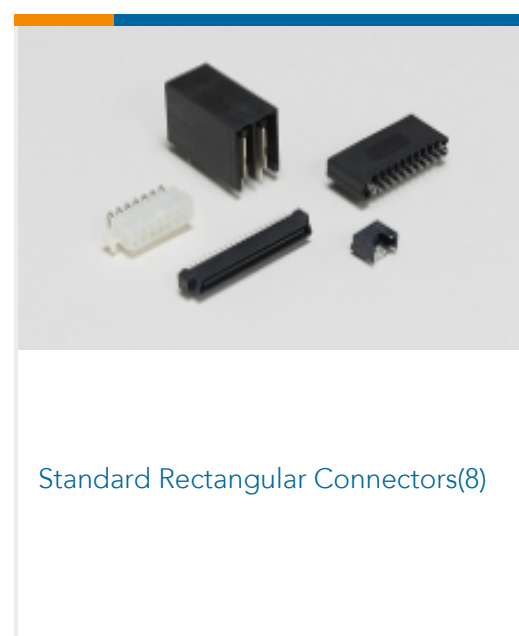
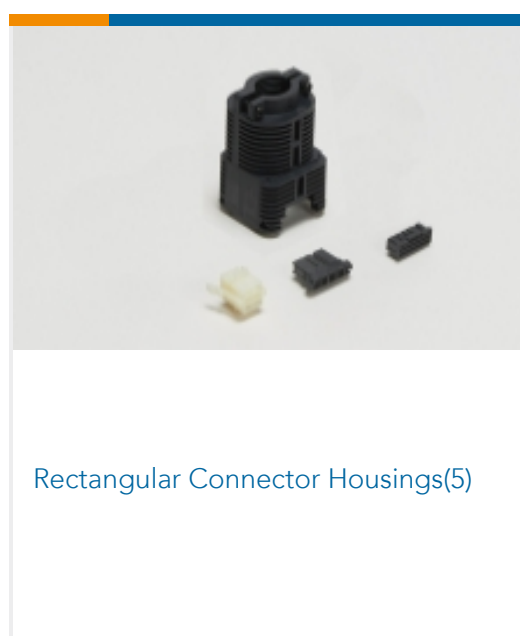
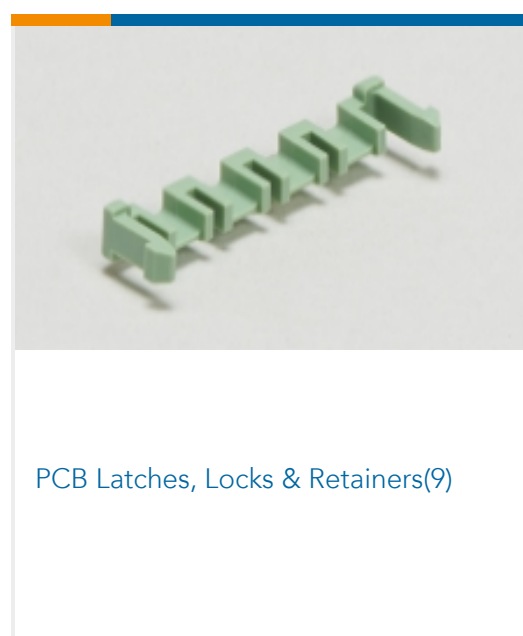
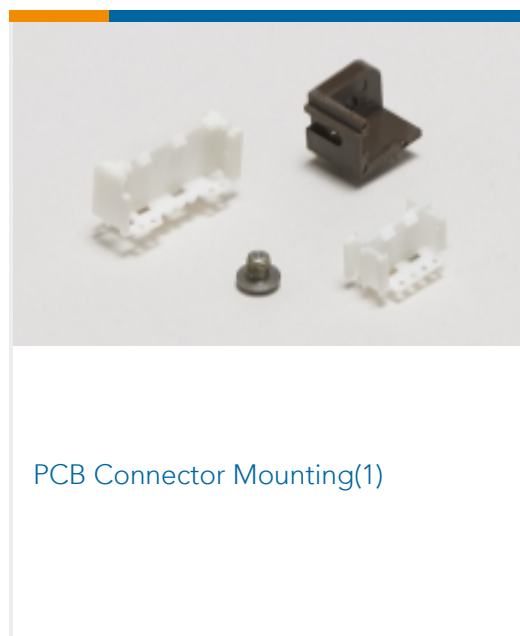
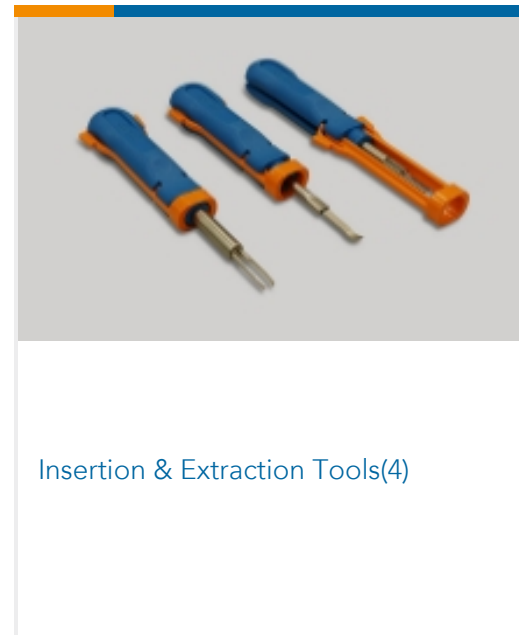
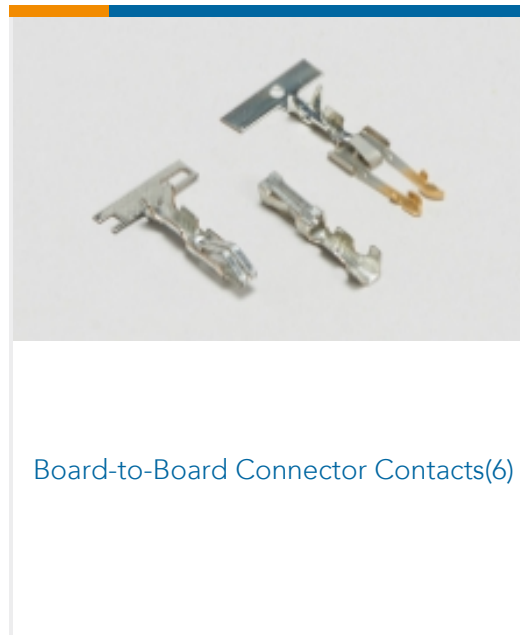
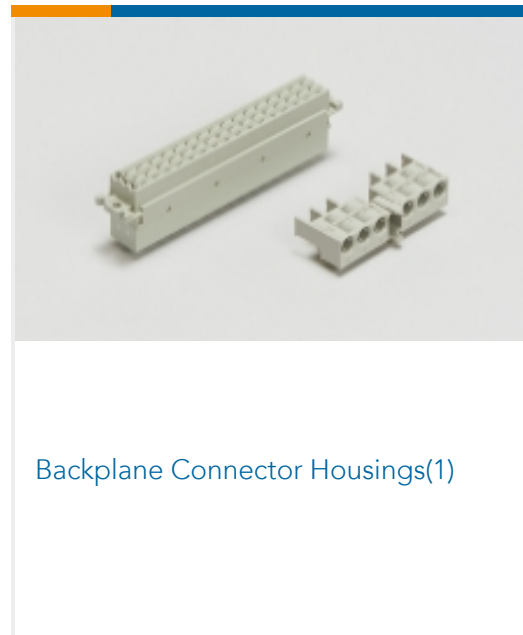
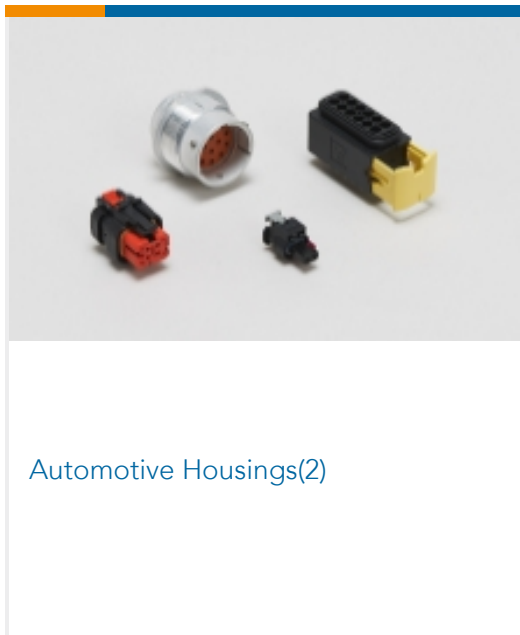
TE Part # 166309-3  
MOD-5 REC.CONTACT



TE Part # 141603-3  
MOD-4 REC.CONTACT



## Also in the Series | AMPMODU IV/V



## Customers Also Bought



TE Part #103653-7  
08 MTE SHRD PIN HSG SR LATCH



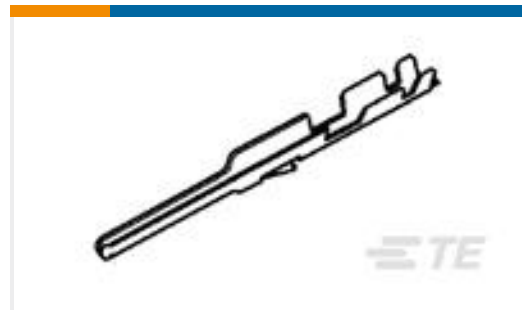
TE Part #103653-9  
10 MTE SHRD PIN HSG SR LATCH



TE Part #104257-8  
09 MTE RCPT HSG SR LATCH .100



TE Part #103653-8  
09 MTE SHRD PIN HSG SR LATCH



TE Part #5-102107-3  
MOD IV PIN LP LF



TE Part #2160253004  
55A0111-26-6



TE Part #2162653003  
55A0111-26-4



TE Part #925367-8  
MOD 4 REC.HSG 2X08P



TE Part #2181133003  
55A0811-24-9

## Documents

### CAD Files

[3D PDF](#)

[3D](#)

**Customer View Model**

[ENG\\_CVM\\_CVM\\_925366-8\\_AA.2d\\_dxf.zip](#)

English

**Customer View Model**

[ENG\\_CVM\\_CVM\\_925366-8\\_AA.3d\\_igs.zip](#)

English

**Customer View Model**

[ENG\\_CVM\\_CVM\\_925366-8\\_AA.3d\\_stp.zip](#)

English

By downloading the CAD file I accept and agree to the [Terms and Conditions](#) of use.

### Product Specifications

[Application Specification](#)

English

### Agency Approvals



[UL Report](#)

English