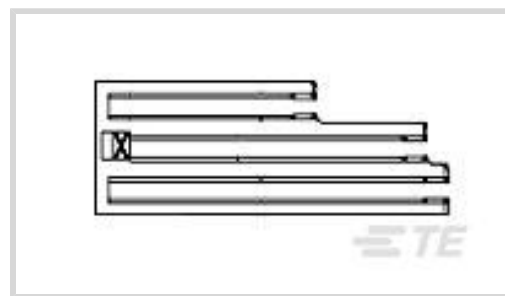




Connectors > Automotive Connectors > Connector Accessories > Locks & Position Assurance



Connector & Contact Retention Accessory Type: **TPA (Terminal Position Assurance)**

Primary Product Color: **Yellow**

Connector System: **Wire-to-Board, Wire-to-Wire**

Primary Product Material: **PA GF**

Operating Temperature Range: **-40 – 100 °C [-40 – 212 °F]**

Features

Product Type Features

Connector & Contact Retention Accessory Type	TPA (Terminal Position Assurance)
Connector System	Wire-to-Board, Wire-to-Wire

Body Features

Primary Product Color	Yellow
Primary Product Material	PA GF

Usage Conditions

Operating Temperature Range	-40 – 100 °C [-40 – 212 °F]
-----------------------------	-------------------------------

Packaging Features

Packaging Method	Box
------------------	-----

Other

Serviceable	Yes
-------------	-----

Product Compliance

[For compliance documentation, visit the product page on TE.com>](#)

EU RoHS Directive 2011/65/EU	Compliant
EU ELV Directive 2000/53/EC	Compliant
China RoHS 2 Directive MIIT Order No 32, 2016	No Restricted Materials Above Threshold
EU REACH Regulation (EC) No. 1907/2006	Current ECHA Candidate List: JUNE 2022 (224)



Candidate List Declared Against: JAN 2019
(197)
SVHC > Threshold:
Not Yet Reviewed

Halogen Content
Low Halogen - Br, Cl, F, I < 900 ppm per homogenous material. Also BFR/CFR/PVC Free

Solder Process Capability
Not reviewed for solder process capability

Product Compliance Disclaimer

This information is provided based on reasonable inquiry of our suppliers and represents our current actual knowledge based on the information they provided. This information is subject to change. The part numbers that TE has identified as EU RoHS compliant have a maximum concentration of 0.1% by weight in homogenous materials for lead, hexavalent chromium, mercury, PBB, PBDE, DBP, BBP, DEHP, DIBP, and 0.01% for cadmium, or qualify for an exemption to these limits as defined in the Annexes of Directive 2011/65/EU (RoHS2). Finished electrical and electronic equipment products will be CE marked as required by Directive 2011/65/EU. Components may not be CE marked. Additionally, the part numbers that TE has identified as EU ELV compliant have a maximum concentration of 0.1% by weight in homogenous materials for lead, hexavalent chromium, and mercury, and 0.01% for cadmium, or qualify for an exemption to these limits as defined in the Annexes of Directive 2000/53/EC (ELV). Regarding the REACH Regulation, the information TE provides on SVHC in articles for this part number is based on the latest European Chemicals Agency (ECHA) 'Guidance on requirements for substances in articles' posted at this URL: <https://echa.europa.eu/guidance-documents/guidance-on-reach>

Compatible Parts



TE Part # CAT-T4827-CH8172
TIMER, CONNECTOR HOUSING

TE Part # 1-953041-4
31W HYB TIMER CONN ASSY

TE Part # 1-953042-1
31W HYB TIMER CONN ASSY

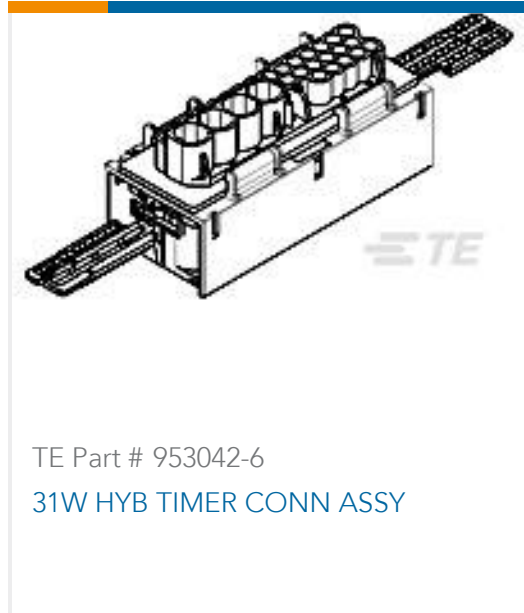
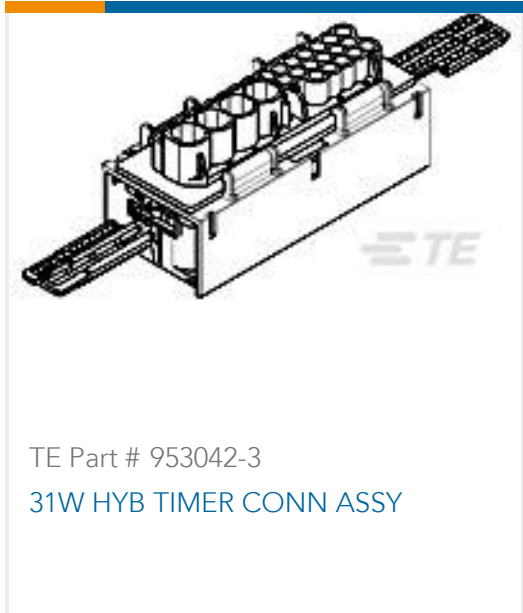
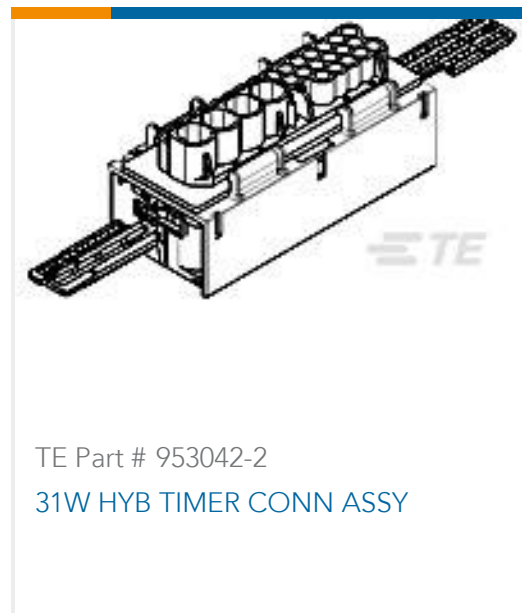
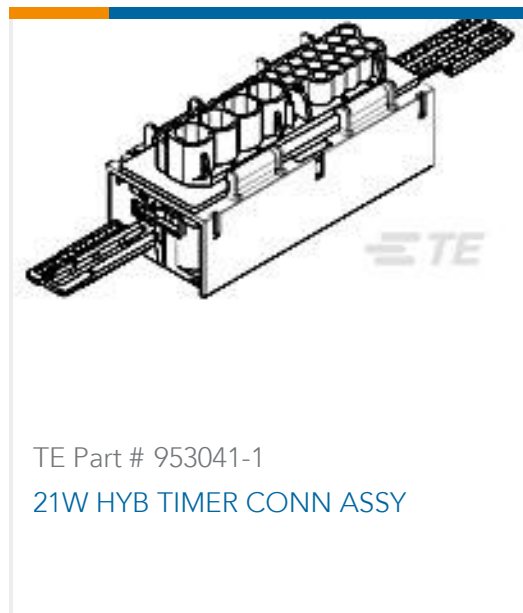
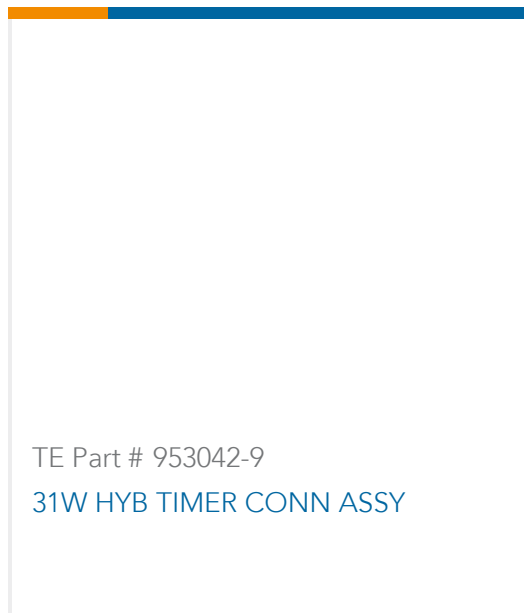
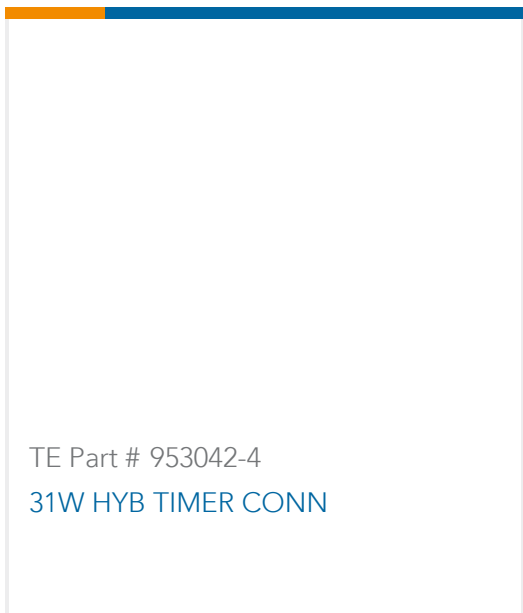
TE Part # 1-953042-3
31W HYB TIMER CONN ASSY

TE Part # 1-953042-7
31W HYB TIMER CONN ASSY

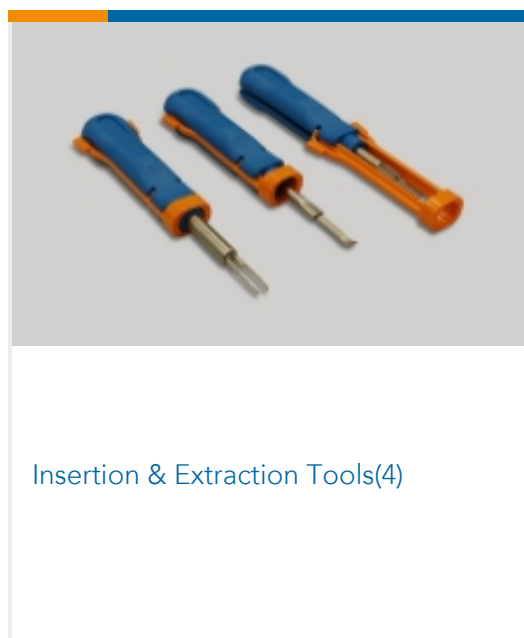
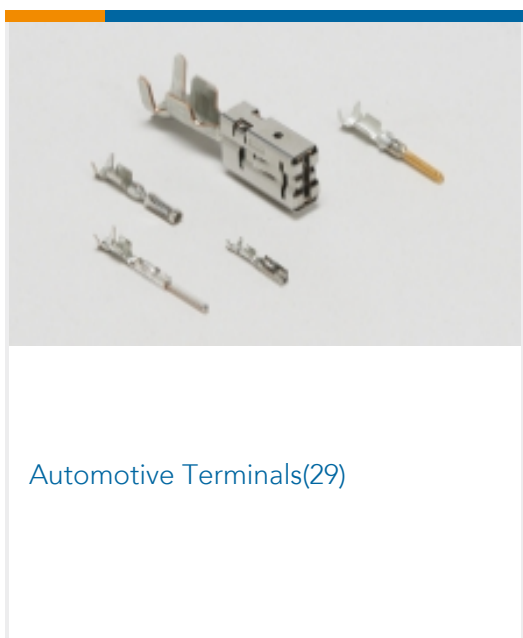
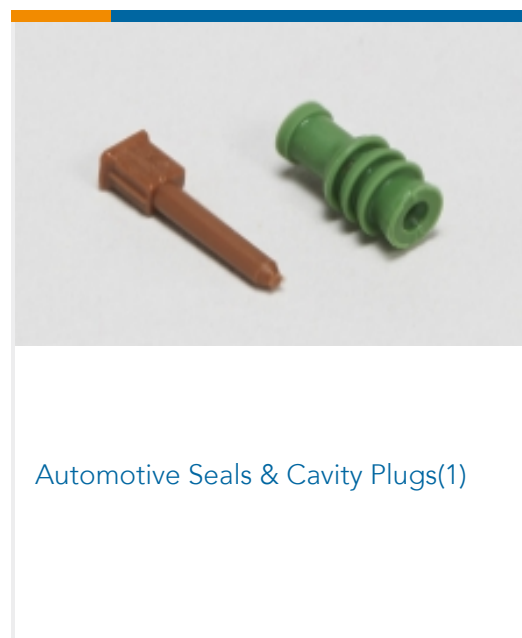
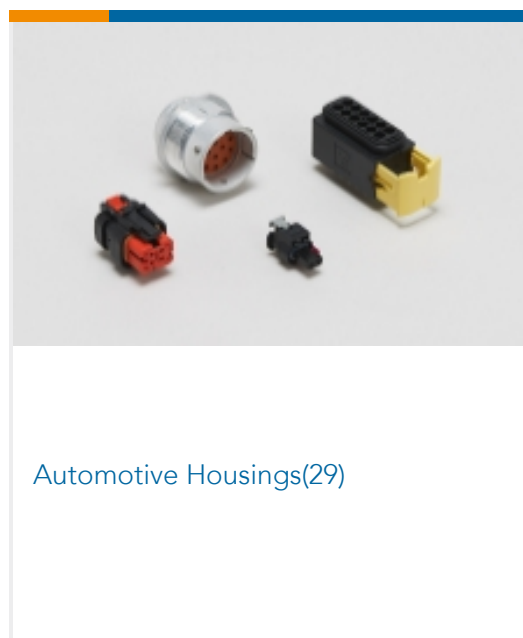
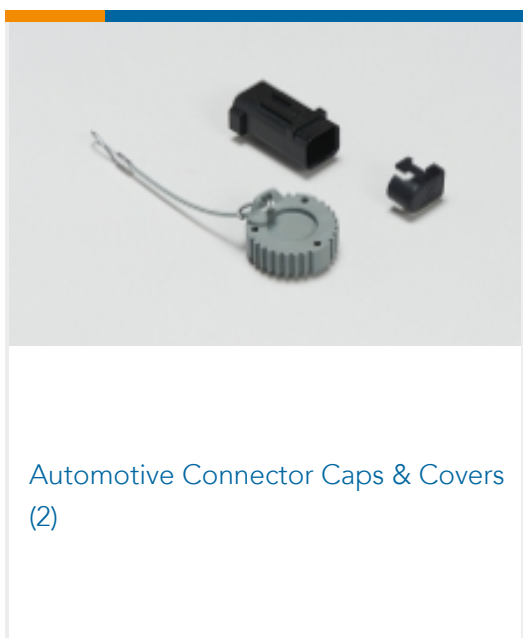
TE Part # 953041-2
31W HYB TIMER CONN ASSY

TE Part # 953041-3
31W HYB TIMER CONN ASSY

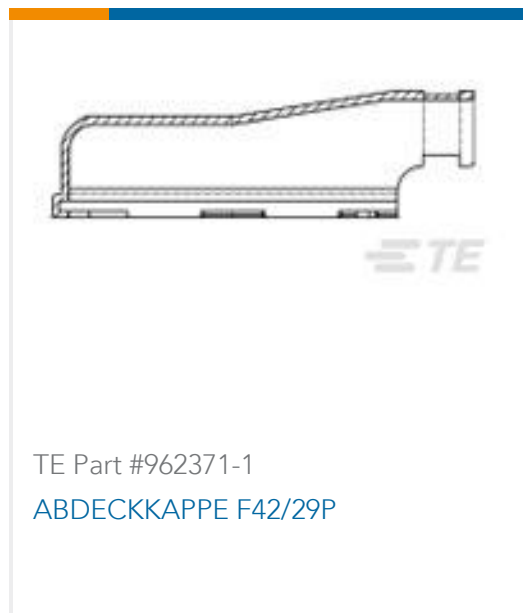
TE Part # 953041-8
31W HYB TIMER CONN

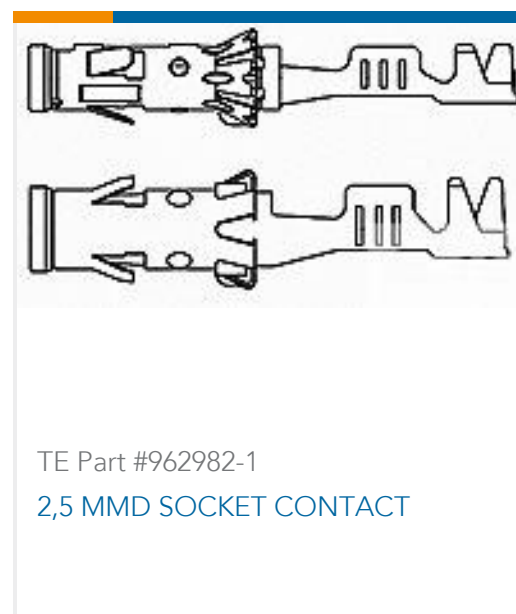
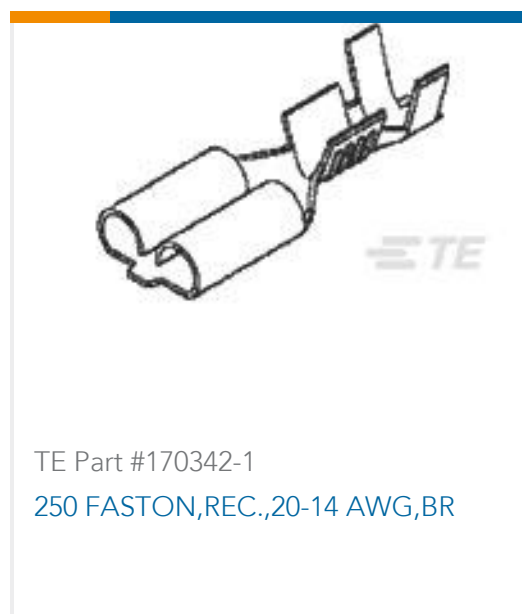


Also in the Series | **Micro Timer II**



Customers Also Bought





Documents

Product Drawings

MT SEC LOCK 31W HYB CONN

English

CAD Files

3D PDF

English

Customer View Model

[ENG_CVM_953047-1_D.2d_dxf.zip](#)

English

Customer View Model

[ENG_CVM_953047-1_D.3d_igs.zip](#)

English

Customer View Model

[ENG_CVM_953047-1_D.3d_stp.zip](#)

English

By downloading the CAD file I accept and agree to the [Terms and Conditions](#) of use.

Product Specifications

CONNECTEUR 31 VOIES ABS POUR CONTACT MICRO-TIMER II ET STANDARD-POWER-TIMER

English

Product Specification

English

Instruction Sheets

Instruction Sheet (non U.S.)

French

