

927840-1 ✓ ACTIVE

AMP | Standard Power Timer

TE Internal #: 927840-1

Automotive Terminals, Receptacle, Mating Tab Width 6.3 mm / 5.8 mm [.228 in / .248 in], Tab Thickness .031 in [.8 mm], Standard Power Timer

[View on TE.com >](#)



Terminals & Splices > Automotive Terminals > TIMER, RECEPTACLE AND TAB



Terminal Type: **Receptacle**

Mating Tab Width: **5.8 mm, 6.3 mm** [.228 in, .248 in]

Mating Tab Thickness: **.8 mm** [.031 in]

Terminal Transmits: **25 – 40 A (Power)**

Wire Size: **24 – 20 AWG**

[All TIMER, RECEPTACLE AND TAB \(344\)](#)

Features

Product Type Features

| | |
|-------------------------|---------------|
| Sealable | No |
| Primary Locking Feature | Locking Lance |

Contact Features

| | |
|---|-----------------------------------|
| Contact Size | 6.3mm |
| Contact Fabrication | Stamped & Formed |
| Typical Current Rating | 40 A |
| Crimp Type | F-Crimp |
| Terminal Type | Receptacle |
| Mating Tab Width | 5.8 mm, 6.3 mm [.228 in][.248 in] |
| Mating Tab Thickness | .8 mm [.031 in] |
| Interface Plating | Tin (Sn) |
| Contact Termination Area Plating Material | Tin (Sn) |

Termination Features

| | |
|------------------------------------|-------|
| Termination Method to Wire & Cable | Crimp |
| Product Terminates To | Wire |

Dimensions

| | |
|-----------|-------------------------|
| Wire Size | .2 – .5 mm ² |
|-----------|-------------------------|



| | |
|------------------|--|
| Wire Size Search | 20 AWG, 21 AWG, 22 AWG, 23 AWG, 24 AWG |
|------------------|--|

| | |
|--------------------------|-------------------------------|
| Wire Insulation Diameter | 1.1 – 1.6 mm [.045 – .063 in] |
|--------------------------|-------------------------------|

Usage Conditions

| | |
|-------------------|-------------|
| Insulation Option | Uninsulated |
|-------------------|-------------|

| | |
|-----------------------------|--|
| Operating Temperature (Max) | 80 °C, 85 °C, 90 °C, 100 °C, 105 °C, 110 °C, 120 °C, 125 °C, 130 °C [176 °F][185 °F][194 °F][212 °F][221 °F][230 °F][248 °F][257 °F][266 °F] |
|-----------------------------|--|

| | |
|-----------------------------|-----------------------------|
| Operating Temperature Range | -40 – 130 °C [-40 – 266 °F] |
|-----------------------------|-----------------------------|

Operation/Application

| | |
|------------------------------------|--------|
| Compatible With Wire Base Material | Copper |
|------------------------------------|--------|

Industry Standards

| | |
|-----------------|-----------------------------|
| Agency/Standard | IEC 664/664A (DIN VDE 0110) |
|-----------------|-----------------------------|

Packaging Features

| | |
|------------------|------|
| Packaging Method | Reel |
|------------------|------|

| | |
|--------------------|------|
| Packaging Quantity | 2200 |
|--------------------|------|

Other

| | |
|--------------------|-------------------|
| Terminal Transmits | 25 – 40 A (Power) |
|--------------------|-------------------|

Product Compliance

[For compliance documentation, visit the product page on TE.com>](#)

| | |
|------------------------------|-----------|
| EU RoHS Directive 2011/65/EU | Compliant |
|------------------------------|-----------|

| | |
|-----------------------------|-----------|
| EU ELV Directive 2000/53/EC | Compliant |
|-----------------------------|-----------|

| | |
|---|---|
| China RoHS 2 Directive MIIT Order No 32, 2016 | No Restricted Materials Above Threshold |
|---|---|

| | |
|--|--|
| EU REACH Regulation (EC) No. 1907/2006 | Current ECHA Candidate List: JUNE 2022 (224) Candidate List Declared Against: JAN 2021 (211) SVHC > Threshold: Not Yet Reviewed |
|--|--|

| | |
|-----------------|---|
| Halogen Content | Low Halogen - Br, Cl, F, I < 900 ppm per homogenous material. Also BFR/CFR/PVC Free |
|-----------------|---|

| | |
|---------------------------|--|
| Solder Process Capability | Not applicable for solder process capability |
|---------------------------|--|

Product Compliance Disclaimer

This information is provided based on reasonable inquiry of our suppliers and represents our current actual knowledge based on the information they provided. This information is subject to change. The part numbers that TE has identified as EU RoHS compliant have a maximum concentration of 0.1% by weight in homogenous materials for lead, hexavalent chromium, mercury, PBB, PBDE, DBP, BBP, DEHP, DIBP, and 0.01% for cadmium, or qualify for an exemption to these limits as defined in the Annexes of Directive 2011/65/EU (RoHS2). Finished electrical and electronic equipment products will be CE marked as required by Directive 2011/65/EU. Components may not be CE marked. Additionally, the part numbers that TE has identified as EU ELV compliant have a maximum concentration of 0.1% by weight in homogenous materials for lead, hexavalent chromium, and mercury, and 0.01% for cadmium, or qualify for an exemption to these limits as defined in the Annexes of Directive 2000/53/EC (ELV). Regarding the REACH Regulation, the information TE provides on SVHC in articles for this part number is based on the latest European Chemicals Agency (ECHA) 'Guidance on requirements for substances in articles' posted at this URL: <https://echa.europa.eu/guidance-documents/guidance-on-reach>

Compatible Parts



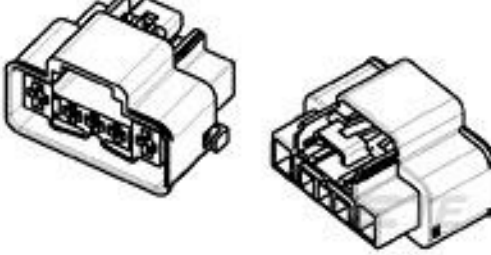
TE Part # 4-1579007-3
EXTRACTION TOOL KIT



TE Part # 1-1579007-6
EXTRACTION TOOL



TE Part # 2305570-1
TERMINAL CUTTER, SIDE FEED



TE Part # 1599317-1
HSG ASSY 5P REC JPT/SPT HYBRID



TE Part # 2-2151727-1
OCEAN_2.0_APPLICATOR-S-090F1200



TE Part # 2-2151727-2
OCEAN_2.0_APPLICATOR-S-090F1200



TE Part # 2151727-1
OCEAN_2.0_APPLICATOR-S-090F1200



TE Part # 2151727-2
OCEAN_2.0_APPLICATOR-S-090F1200



TE Part # 7-2151727-1
OCEAN_2.0_APPLICATOR-S-090F1200



TE Part # 7-2151727-2
OCEAN_2.0_APPLICATOR-S-090F1200

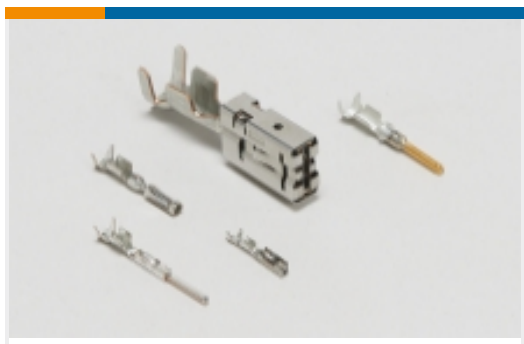


TE Part # 7-2151727-7
OCEAN_2.0_SPARE_PART_KIT-070F0900

Also in the Series | Standard Power Timer



Automotive Housings(31)



Automotive Terminals(54)



Busbars & Terminals(3)



Insertion & Extraction Tools(1)

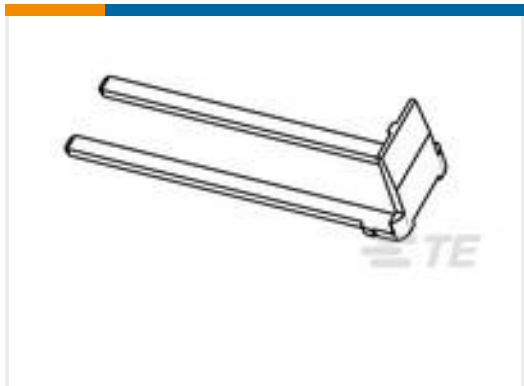


Module Components(6)

Customers Also Bought



TE Part #1554723-1
1.0 SEALED RECEPTACLE CONTACT



TE Part #1670789-1
2. LOCK



TE Part #1456538-1
SEAL PLUG, MAT, GM SDM



TE Part #2290490-1
16POS,1.0 SERIES,REC HSG ASSY,SLD



TE Part #5913836032
LSTT-6.4-0-30MM

Documents

CAD Files

Customer View Model

[ENG_CVM_CVM_927840-1_C.2d_dxf.zip](#)

English

3D PDF

3D

Customer View Model

[ENG_CVM_CVM_927840-1_C.3d_igs.zip](#)



English

Customer View Model

[ENG_CVM_CVM_927840-1_C.3d_stp.zip](#)

English

By downloading the CAD file I accept and agree to the [Terms and Conditions](#) of use.

Datasheets & Catalog Pages

Timer Interconnection System

English

Product Specifications

Application Specification

German

Application Specification

English

Application Specification

English