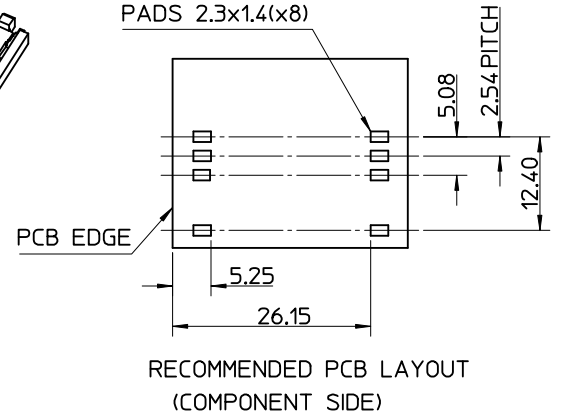
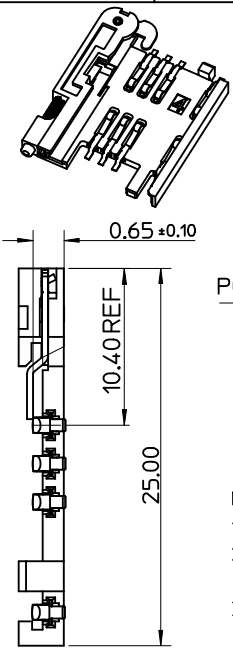
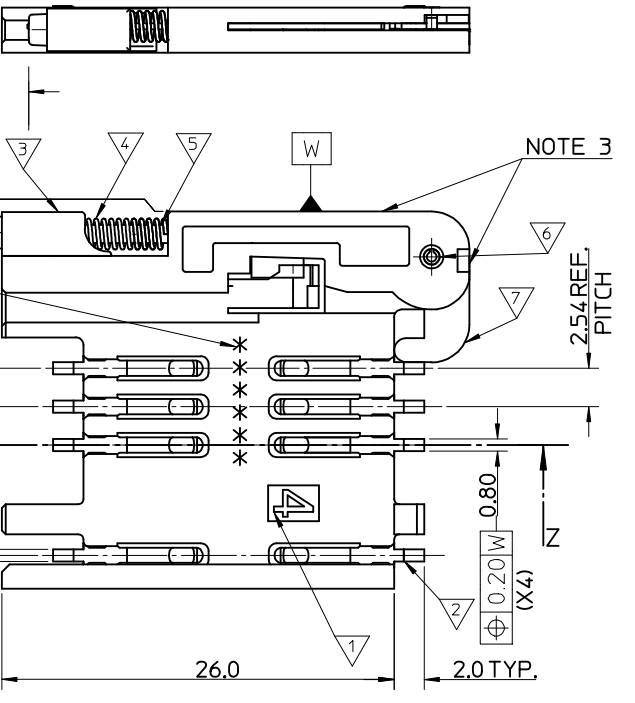
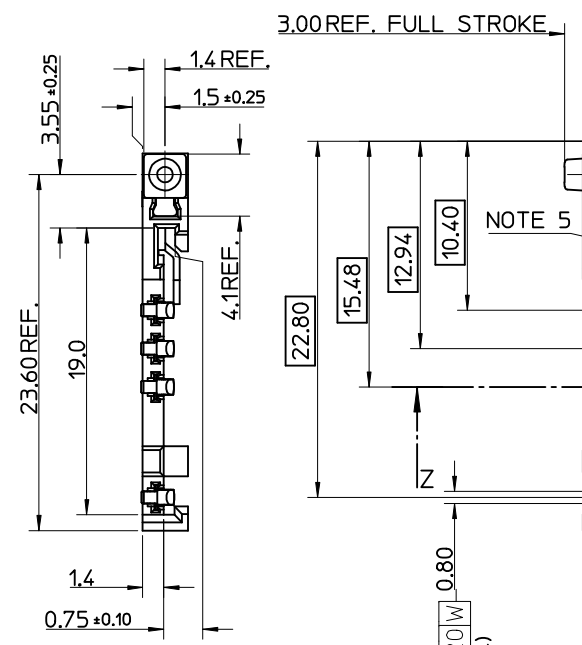
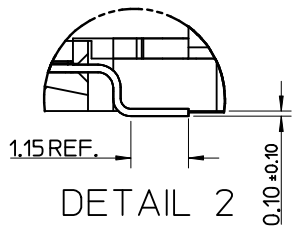
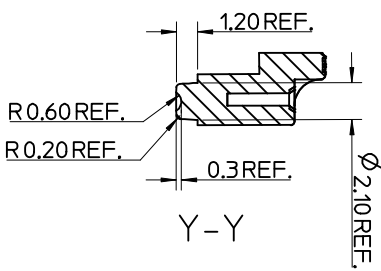
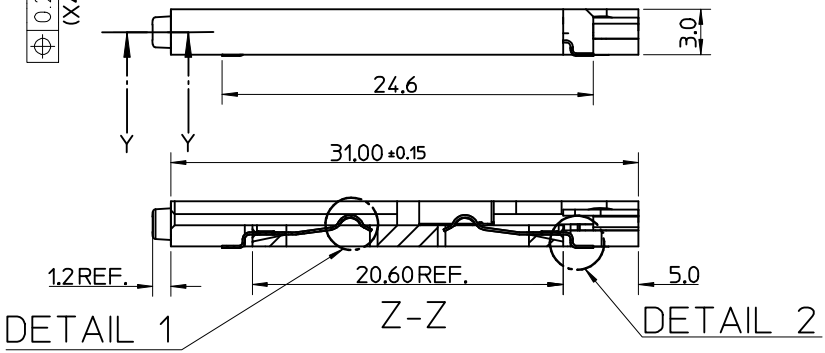
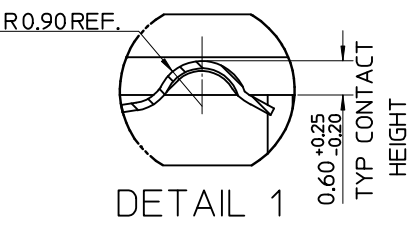


MATERIAL NUMBER	DESCRIPTION
912283001	REELED ONTO CARDBOARD REEL
912283019	REELED ONTO PLASTIC REEL



- NOTES:
1. SEE PRODUCT SPECIFICATION PS-99020-0071.
 2. PACKAGING: TAPE & REEL, FOR DETAIL SEE SDA-91228-9001, SHEET 1
 3. PUSH ROD/LEVER MUST NOT PROTRUDE BEYOND HOUSING EDGE IN THIS AREA.
 4. TAILS ON EACH SIDE OF CONNECTOR TO LIE WITHIN 0.12 mm OF EACH OTHER
 5. DATECODE: (YEAR, WEEK, WEEK, DAY, HOUR, HOUR)

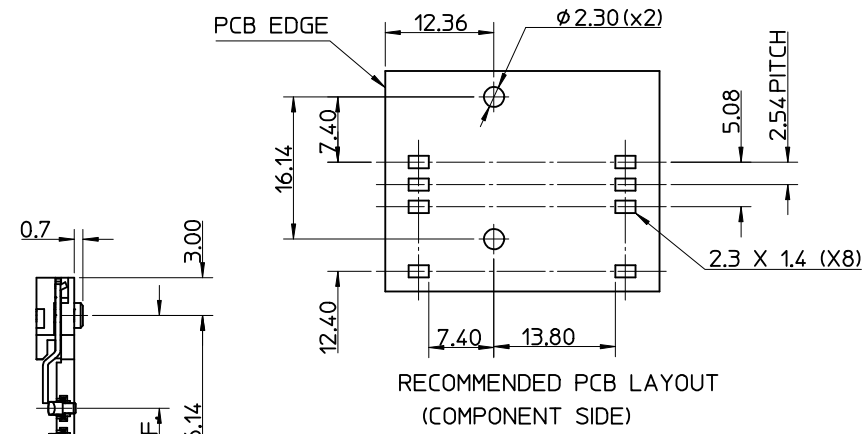
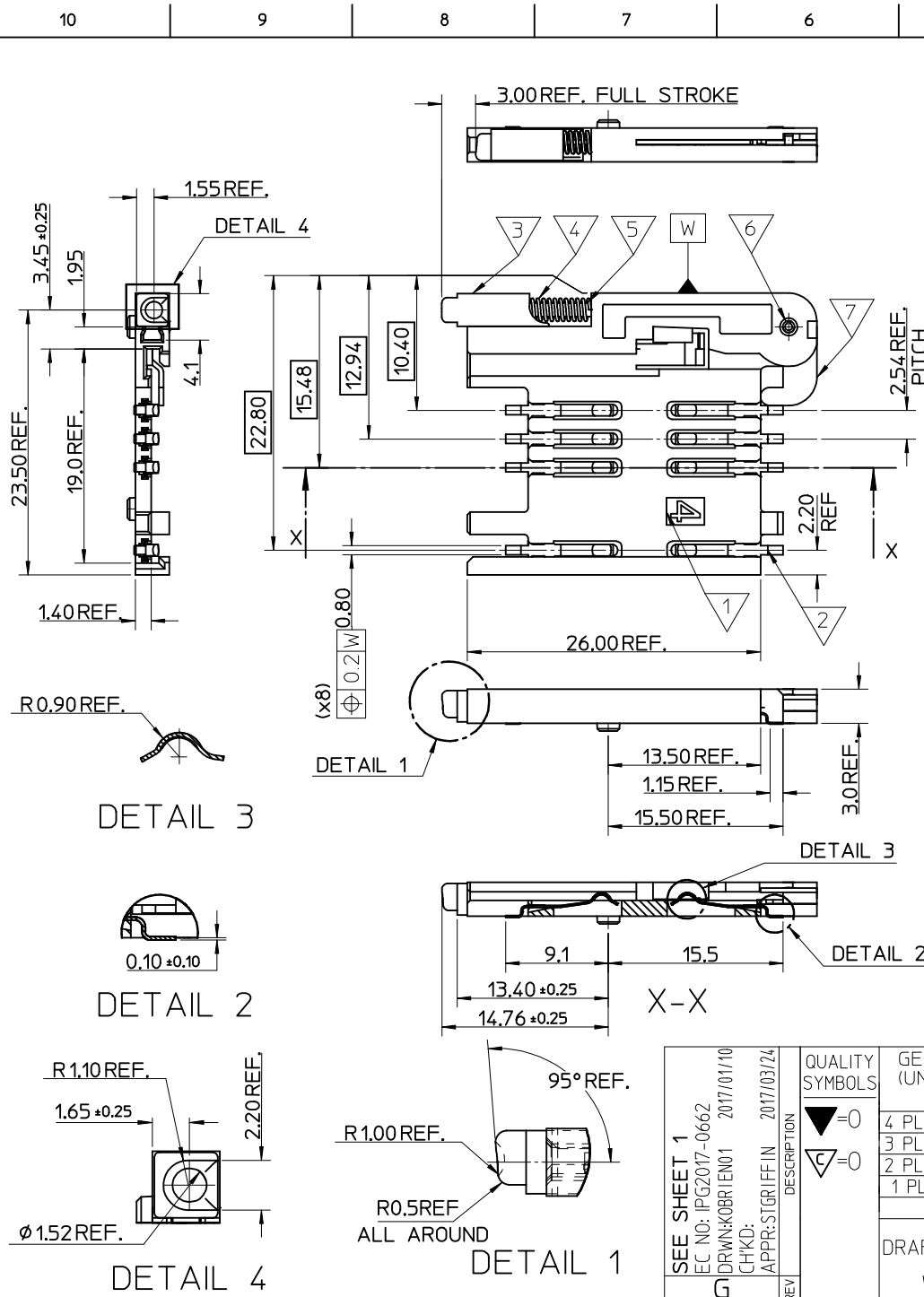
ITEM	COMPONENT	QTY	MATERIAL
▽	HOUSING	1	LIQUID CRYSTAL POLYMER (LCP) 30% GLASS FILL, JL94 V-O, COLOUR: BLACK
▽	TERMINAL	8	0.15 PHOSPHOR BRONZE, 0.14µm MIN Au OVER Pd/Ni IN CONTACT AREA 2.54µm MIN Sn ON SMT TAILS
▽	PUSH BUTTON	1	GF POLYAMIDE 6T/66, YELLOW
▽	COIL SPRING	1	0.25 REF THK STAINLESS STEEL
▽	PUSH ROD	1	0.4 REF THK STAINLESS STEEL
▽	C-PIN	1	STEEL
▽	LEVER	1	0.4 REF THK STAINLESS STEEL



REV	DESCRIPTION
1	APPROVED FOR RELEASE
2	APPROVED FOR RELEASE
3	APPROVED FOR RELEASE
4	APPROVED FOR RELEASE
5	APPROVED FOR RELEASE
6	APPROVED FOR RELEASE
7	APPROVED FOR RELEASE
8	APPROVED FOR RELEASE
9	APPROVED FOR RELEASE
10	APPROVED FOR RELEASE

QUALITY SYMBOLS	DESCRIPTION
▽=0	QUALITY SYMBOLS
▽=0	QUALITY SYMBOLS

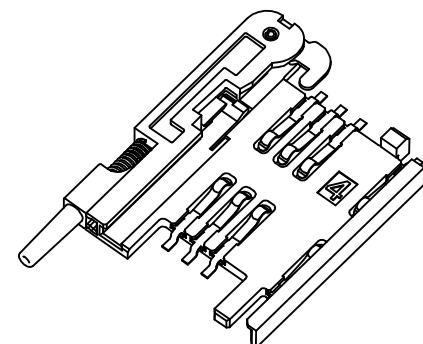
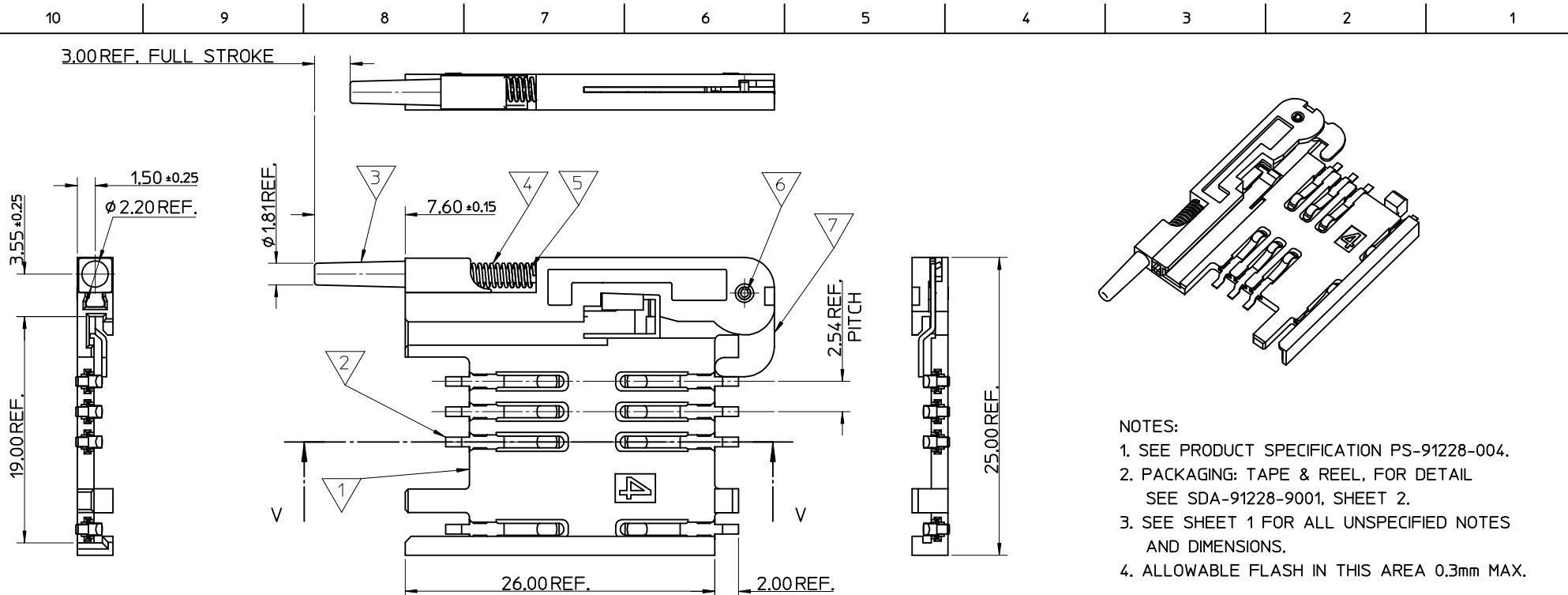
GENERAL TOLERANCES (UNLESS SPECIFIED)	DIMENSION STYLE	SCALE	DESIGN UNITS	THIRD ANGLE PROJECTION
mm INCH	MM ONLY	5:1	METRIC	THIRD ANGLE PROJECTION
4 PLACES ± --- ± ---	DRAWN BY RFORREY	DATE 2006/11/27	TITLE SIM CONNECTOR ASSY	
3 PLACES ± --- ± ---	CHECKED BY FDUGGAN	DATE 2006/11/27	MOLEX INCORPORATED	
2 PLACES ± 0.05 ± ---	APPROVED BY EFOLAN	DATE 2006/11/27	DOCUMENT NO. SD-91228-001	
1 PLACE ± 0.1 ± ---	MATERIAL NO.	SEE TABLE	SHEET NO. 1 OF 5	
ANGULAR ± 2 °	DRAFT WHERE APPLICABLE MUST REMAIN WITHIN DIMENSIONS	THIS DRAWING CONTAINS INFORMATION THAT IS PROPRIETARY TO MOLEX INCORPORATED AND SHOULD NOT BE USED WITHOUT WRITTEN PERMISSION		



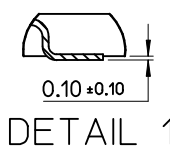
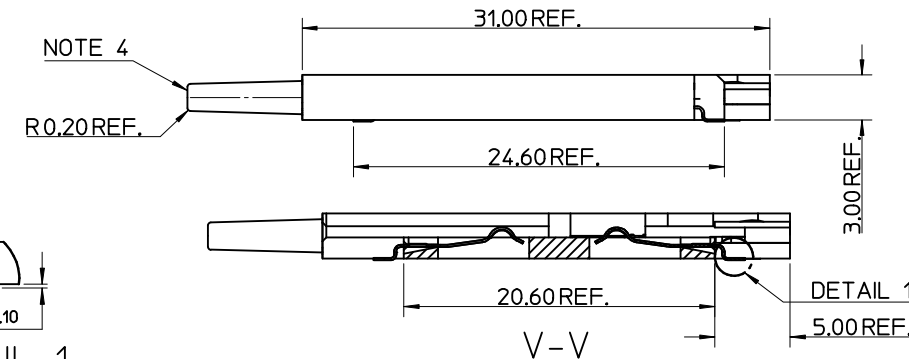
- NOTES:
1. SEE PRODUCT SPECIFICATION PS-99020-0071.
 2. PACKAGING: TAPE & REEL, FOR DETAIL SEE SDA-91228-9001, SHEET 1
 3. FOR ALL UNSPECIFIED DIMENSIONS AND NOTES SEE SHEET 1.

ITEM	COMPONENT	QTY	MATERIAL
▽	HOUSING		LIQUID CRYSTAL POLYMER (LCP) 30% GLASS FILL, UL94 V-0, COLOUR: BLACK
▽	TERMINAL		0.15 PHOSPHOR BRONZE. 0.14m MIN Au OVER Pd/Ni IN CONTACT AREA 2.54m MIN Sn ON SMT TAILS
▽	PUSH BUTTON		GF POLYAMIDE 6T/66. BLACK.
▽	COIL SPRING		0.25 REF THK STAINLESS STEEL
▽	PUSH ROD		0.4 REF THK STAINLESS STEEL
▽	C-PIN		STEEL
▽	LEVER		0.4 REF THK STAINLESS STEEL

SEE SHEET 1 EC NO: PG2017-0662 DRWN: KOBRI/EN01 2017/01/10 CHKD: APPR: STGR/FFIN 2017/03/24	QUALITY SYMBOLS ▽=0 ▽=0	GENERAL TOLERANCES (UNLESS SPECIFIED) <table border="1"> <thead> <tr> <th></th> <th>mm</th> <th>INCH</th> </tr> </thead> <tbody> <tr> <td>4 PLACES</td> <td>± ---</td> <td>± ---</td> </tr> <tr> <td>3 PLACES</td> <td>± ---</td> <td>± ---</td> </tr> <tr> <td>2 PLACES</td> <td>± 0.05</td> <td>± ---</td> </tr> <tr> <td>1 PLACE</td> <td>± 0.1</td> <td>± ---</td> </tr> </tbody> </table>		mm	INCH	4 PLACES	± ---	± ---	3 PLACES	± ---	± ---	2 PLACES	± 0.05	± ---	1 PLACE	± 0.1	± ---	DIMENSION STYLE MM ONLY DRAWN BY: RFORREY DATE: 2006/11/27 CHECKED BY: DATE: 2006/11/27 APPROVED BY: FDUGGAN DATE: 2006/11/27 MATERIAL NO.	SCALE 5:1 DESIGN UNITS METRIC THIRD ANGLE PROJECTION	TITLE SIM CONNECTOR ASSY
		mm	INCH																	
	4 PLACES	± ---	± ---																	
	3 PLACES	± ---	± ---																	
2 PLACES	± 0.05	± ---																		
1 PLACE	± 0.1	± ---																		
DRAFT WHERE APPLICABLE MUST REMAIN WITHIN DIMENSIONS	MATERIAL NO. 912283002	MOLEX INCORPORATED DOCUMENT NO. SD-91228-001	SHEET NO. 2 OF 5																	
THIS DRAWING CONTAINS INFORMATION THAT IS PROPRIETARY TO MOLEX INCORPORATED AND SHOULD NOT BE USED WITHOUT WRITTEN PERMISSION																				

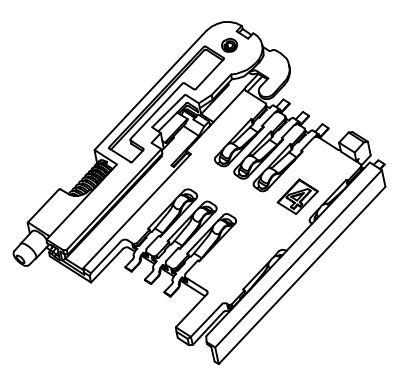
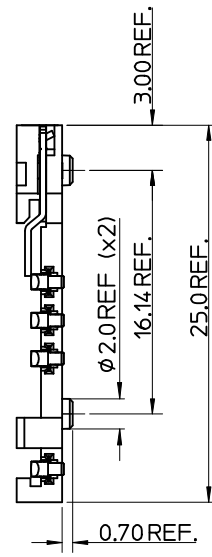
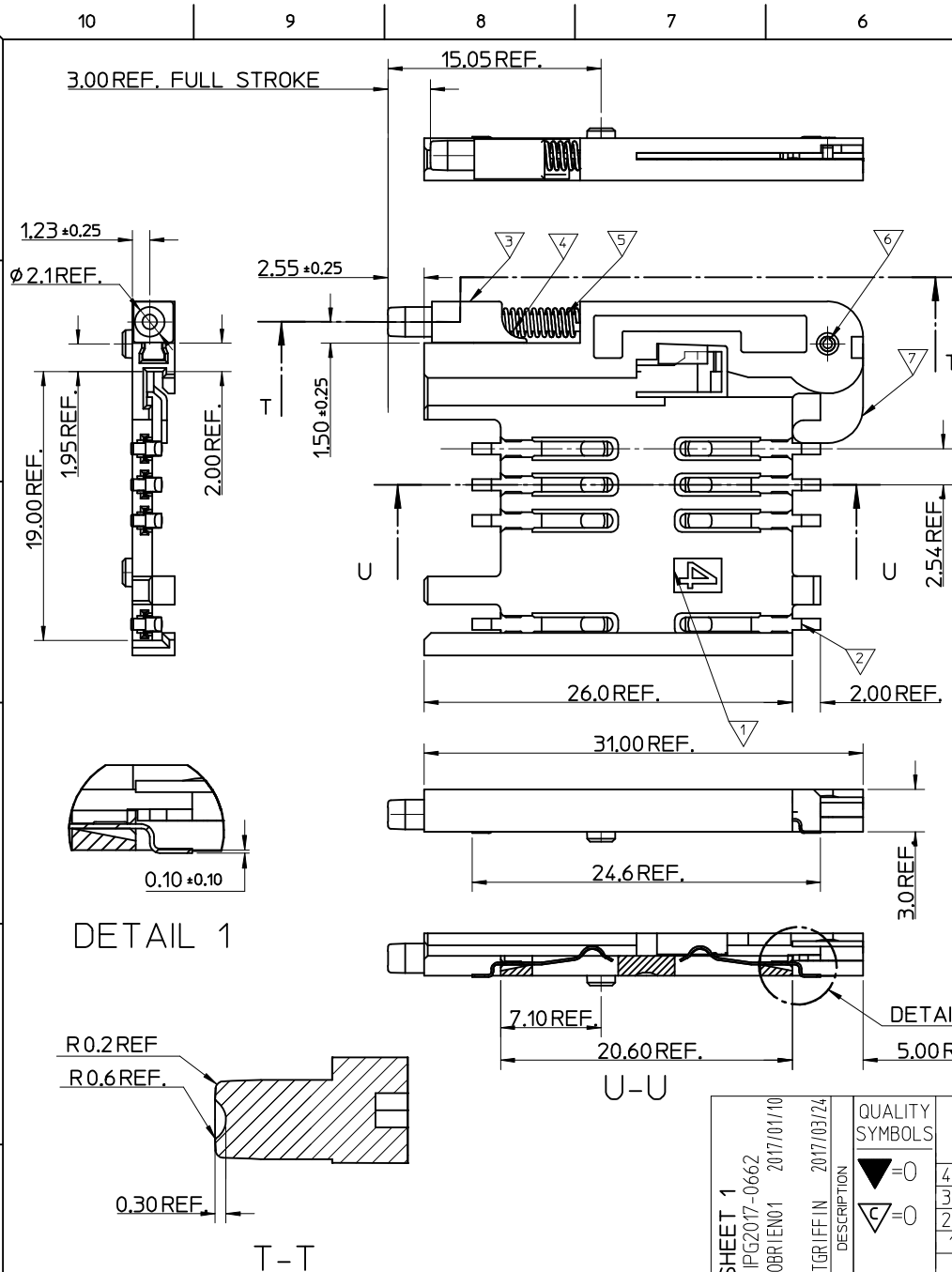


- NOTES:
- SEE PRODUCT SPECIFICATION PS-91228-004.
 - PACKAGING: TAPE & REEL, FOR DETAIL SEE SDA-91228-9001, SHEET 2.
 - SEE SHEET 1 FOR ALL UNSPECIFIED NOTES AND DIMENSIONS.
 - ALLOWABLE FLASH IN THIS AREA 0.3mm MAX.



ITEM	COMPONENT	QTY	MATERIAL
1	HOUSING	1	LIQUID CRYSTAL POLYMER (LCP) 30% GLASS FILL, UL94 V-0, COLOUR: BLACK
2	TERMINAL	8	0.15 PHOSPHOR BRONZE. 0.14mm MIN Au OVER Pd/Ni IN CONTACT AREA 2.54mm MIN Sn ON SMT TAILS
3	PUSH BUTTON	1	GF POLYAMIDE 6T/66, NATURAL
4	COIL SPRING	1	0.25 REF THK STAINLESS STEEL
5	PUSH ROD	1	0.4 REF THK STAINLESS STEEL
6	C-PIN	1	STEEL
7	LEVER	1	0.4 REF THK STAINLESS STEEL

SEE SHEET 1 EC NO: IPGZ07-0662 DRW: KOBRIEN01 2017/01/10 CHKD: APPR: STGRIFFIN 2017/03/24	QUALITY SYMBOLS	GENERAL TOLERANCES (UNLESS SPECIFIED)	DIMENSION STYLE	SCALE	DESIGN UNITS	THIRD ANGLE PROJECTION	
	$\nabla = 0$ $\nabla C = 0$	mm INCH 4 PLACES ± --- ± --- 3 PLACES ± --- ± --- 2 PLACES ± 0.05 ± --- 1 PLACE ± 0.1 ± --- ANGULAR ± 2°	MM ONLY	5:1	METRIC		
		DRAFT WHERE APPLICABLE MUST REMAIN WITHIN DIMENSIONS	DRAWN BY: RFORREY CHECKED BY: FDUGGAN APPROVED BY: EFOLAN MATERIAL NO. 912283005	DATE: 2006/11/27 DATE: 2006/11/27 DATE: 2006/11/27	TITLE: SIM CONNECTOR ASSY MOLEX INCORPORATED DOCUMENT NO. SD-91228-001 SHEET NO. 3 OF 5		
			SIZE: A3 THIS DRAWING CONTAINS INFORMATION THAT IS PROPRIETARY TO MOLEX INCORPORATED AND SHOULD NOT BE USED WITHOUT WRITTEN PERMISSION				



- NOTES:
1. SEE PRODUCT SPECIFICATION PS-99020-0071.
 2. PACKAGING: TAPE & REEL, FOR DETAIL SEE SDA-91228-9001, SHEET 2.
 3. SEE SHEETS 1 & 2 FOR ALL UNSPECIFIED NOTES AND DIMENSIONS.

ITEM	COMPONENT	QTY	MATERIAL
▽	HOUSING	1	LIQUID CRYSTAL POLYMER (LCP) 30% GLASS FILL, UL94 V-0, COLOUR: BLACK
▽	TERMINAL	8	0.15 PHOSPHOR BRONZE, 0.14µm MIN Au OVER Pd/Ni IN CONTACT AREA 2.54µm MIN Sn ON SMT TAILS
▽	PUSH BUTTON	1	GF POLYAMIDE 6T/66, BLACK.
▽	COIL SPRING	1	0.25 REF THK STAINLESS STEEL
▽	PUSH ROD	1	0.4 REF THK STAINLESS STEEL
▽	C-PIN	1	STEEL
▽	LEVER	1	0.4 REF THK STAINLESS STEEL

DETAIL 1

DETAIL 1

T-T

SEE SHEET 1
 EC NO: IPG2017-0662
 DRW: NIKOBRI/EN01 2017/01/10
 CHKD:
 APPR: STGR/FFIN 2017/03/24

QUALITY SYMBOLS
 ▽=0
 ▽=0

GENERAL TOLERANCES (UNLESS SPECIFIED)

	mm	INCH
4 PLACES	± ---	± ---
3 PLACES	± ---	± ---
2 PLACES	± 0.05	± ---
1 PLACE	± 0.1	± ---
ANGULAR ± 2 °		

DRAFT WHERE APPLICABLE
 MUST REMAIN
 WITHIN DIMENSIONS

DIMENSION STYLE
MM ONLY

SCALE
5:1

DESIGN UNITS
METRIC

THIRD ANGLE PROJECTION

DRAWN BY: RFORREY
 DATE: 2006/11/27

CHECKED BY: FDUGGAN
 DATE: 2006/11/27

APPROVED BY: EFOLAN
 DATE: 2006/11/27

MATERIAL NO.
912283006

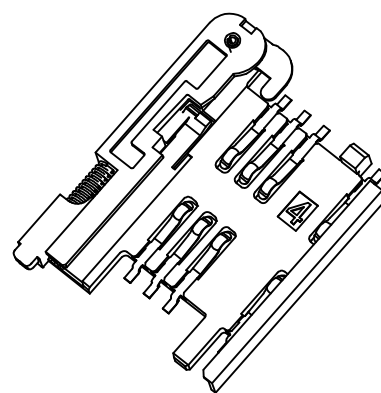
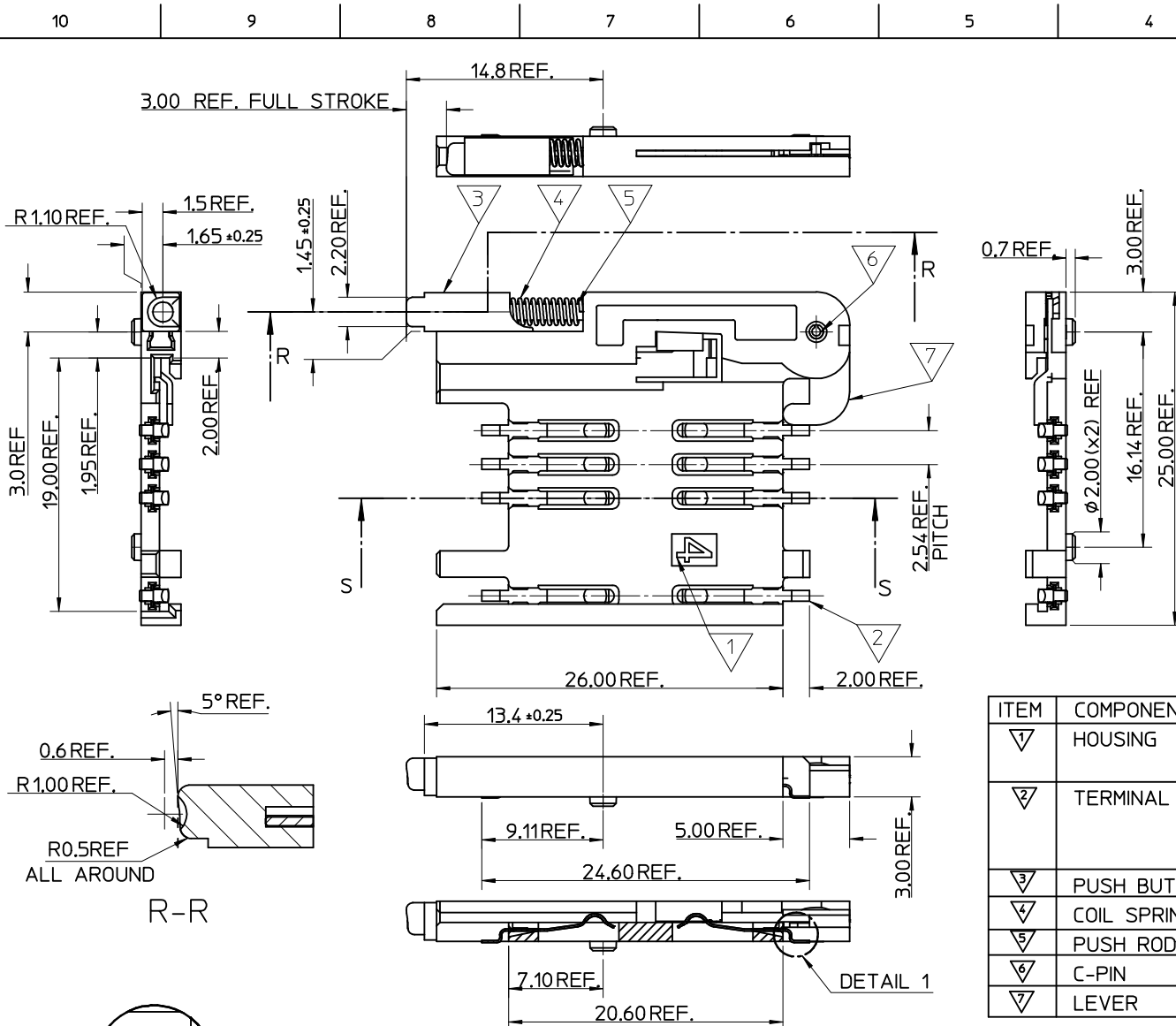
TITLE
SIM CONNECTOR ASSY

MOLEX MOLEX INCORPORATED

DOCUMENT NO.
SD-91228-001

SHEET NO.
4 OF 5

THIS DRAWING CONTAINS INFORMATION THAT IS PROPRIETARY TO MOLEX INCORPORATED AND SHOULD NOT BE USED WITHOUT WRITTEN PERMISSION



- NOTES:
1. SEE PRODUCT SPECIFICATION PS-99020-0071.
 2. PACKAGING: TAPE & REEL, FOR DETAIL SEE SDA-91228-9001, SHEET 1.
 3. SEE SHEET 1 FOR ALL UNSPECIFIED NOTES AND DIMENSIONS.

ITEM	COMPONENT	QTY	MATERIAL
▽	HOUSING	1	LIQUID CRYSTAL POLYMER (LCP) 30% GLASS FILL, UL94 V-0, COLOUR: BLACK
▽	TERMINAL	8	0.15 PHOSPHOR BRONZE. 0.14mm MIN Au OVER Pd/Ni IN CONTACT AREA 2.54mm MIN Sn ON SMT TAILS
▽	PUSH BUTTON	1	GF POLYAMIDE 6T/66, BLUE
▽	COIL SPRING	1	0.25 REF THK STAINLESS STEEL
▽	PUSH ROD	1	0.4 REF THK STAINLESS STEEL
▽	C-PIN	1	STEEL
▽	LEVER	1	0.4 REF THK STAINLESS STEEL

REV	DESCRIPTION	DATE
1	DRW: KOBRIEN01	2017/01/10
2	CHKD:	
3	APPR: STORIFFIN	2017/03/24

QUALITY SYMBOLS	DESCRIPTION
▽=0	
▽=0	

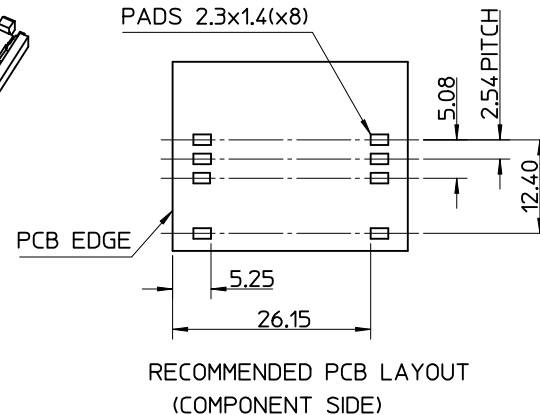
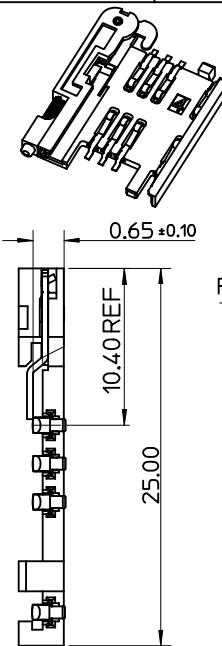
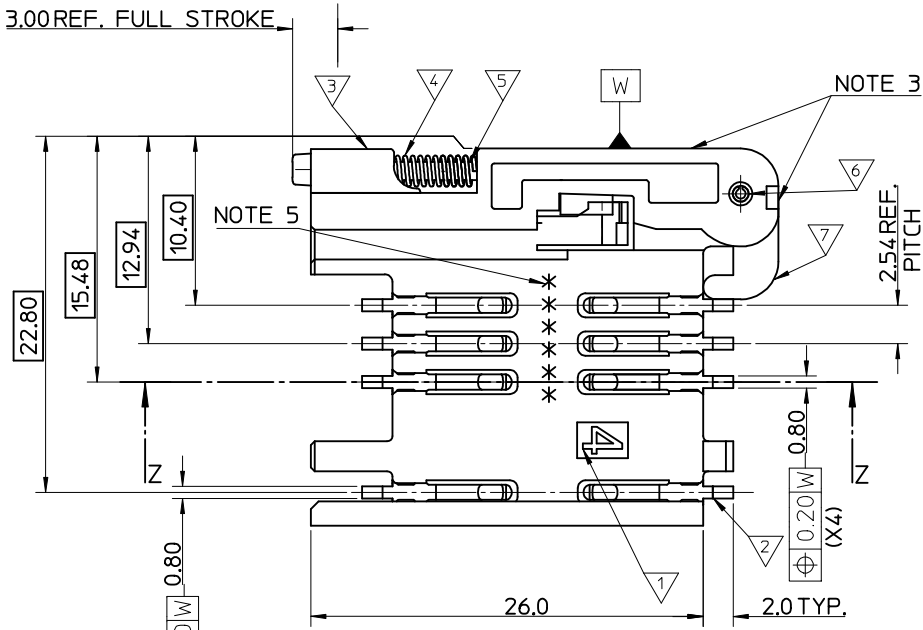
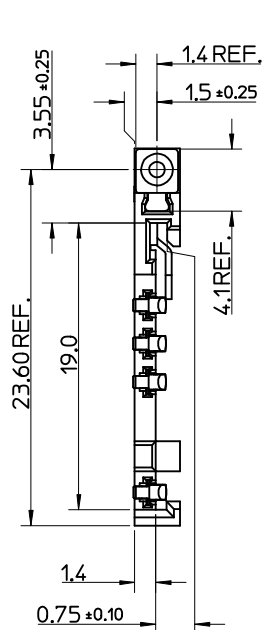
GENERAL TOLERANCES (UNLESS SPECIFIED)		DIMENSION STYLE		SCALE	DESIGN UNITS	THIRD ANGLE PROJECTION
mm	INCH	MM ONLY		5:1	METRIC	
4 PLACES	± ---	± ---				
3 PLACES	± ---	± ---				
2 PLACES	± 0.05	± ---				
1 PLACE	± 0.1	± ---				
ANGULAR ± 2 °						

DRAWN BY		DATE	TITLE	
RFORREY		2006/11/27	SIM CONNECTOR ASSY	
CHECKED BY		DATE		
FDUGGAN		2006/11/27		
APPROVED BY		DATE		
EFOLAN		2006/11/27		
MATERIAL NO.		DOCUMENT NO.		SHEET NO.
912283007		SD-91228-001		5 OF 5

DRAFT WHERE APPLICABLE MUST REMAIN WITHIN DIMENSIONS

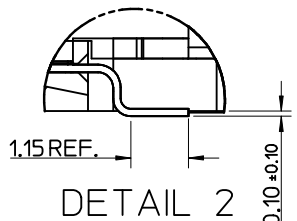
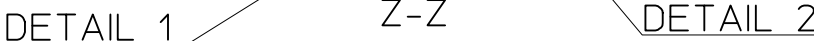
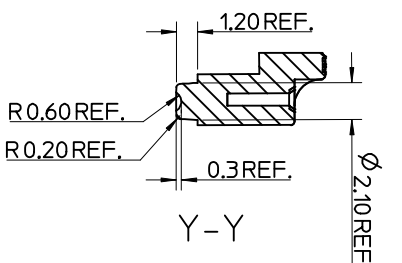
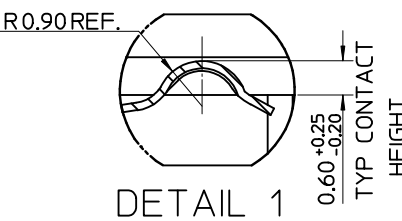
THIS DRAWING CONTAINS INFORMATION THAT IS PROPRIETARY TO MOLEX INCORPORATED AND SHOULD NOT BE USED WITHOUT WRITTEN PERMISSION

MATERIAL NUMBER	DESCRIPTION
912283001	REELED ONTO CARDBOARD REEL
912283019	REELED ONTO PLASTIC REEL



- NOTES:
- SEE PRODUCT SPECIFICATION PS-99020-0071.
 - PACKAGING: TAPE & REEL, FOR DETAIL SEE SDA-91228-9001, SHEET 1
 - PUSH ROD/LEVER MUST NOT PROTRUDE BEYOND HOUSING EDGE IN THIS AREA.
 - TAILS ON EACH SIDE OF CONNECTOR TO LIE WITHIN 0.12 mm OF EACH OTHER
 - DATECODE: (YEAR, WEEK, WEEK, DAY, HOUR, HOUR)

ITEM	COMPONENT	QTY	MATERIAL
▽	HOUSING	1	LIQUID CRYSTAL POLYMER (LCP) 30% GLASS FILL, JL94 V-O, COLOUR: BLACK
▽	TERMINAL	8	0.15 PHOSPHOR BRONZE, 0.14µm MIN Au OVER Pd/Ni IN CONTACT AREA 2.54µm MIN Sn ON SMT TAILS
▽	PUSH BUTTON	1	GF POLYAMIDE 6T/66, YELLOW
▽	COIL SPRING	1	0.25 REF THK STAINLESS STEEL
▽	PUSH ROD	1	0.4 REF THK STAINLESS STEEL
▽	C-PIN	1	STEEL
▽	LEVER	1	0.4 REF THK STAINLESS STEEL

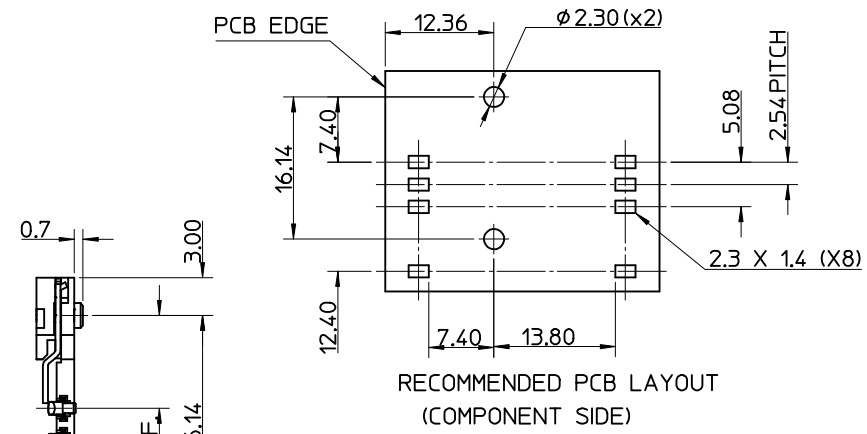
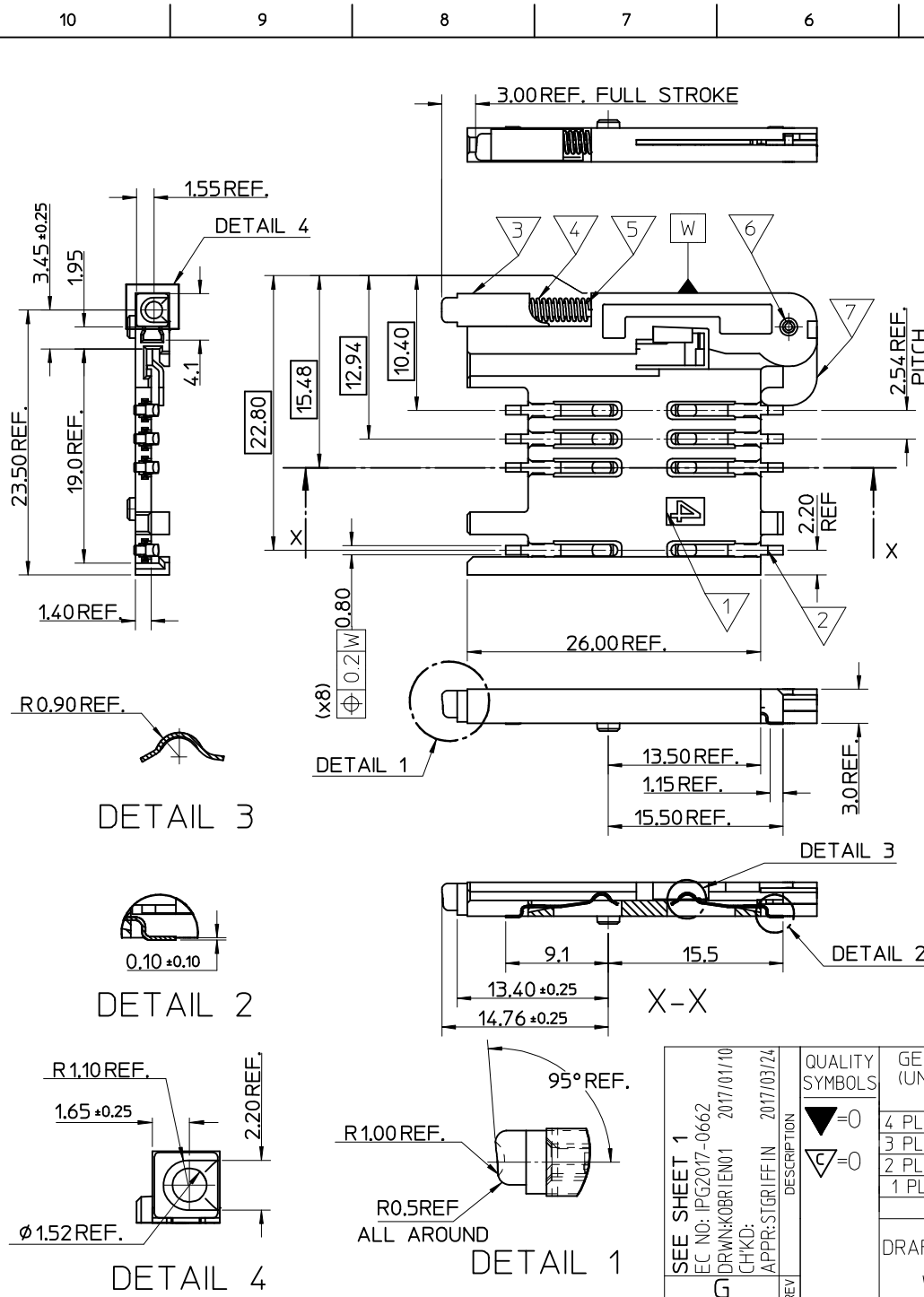


OBSOLETE P/N	QUALITY SYMBOLS
EC NO: IPG2017-0662	▽=0
DRW: KOBRIEN01 2017/01/10	▽=0
CHKD:	
APPR: STGRIFFIN 2017/03/24	
REV	DESCRIPTION

GENERAL TOLERANCES (UNLESS SPECIFIED)	
mm	INCH
4 PLACES ± ---	± ---
3 PLACES ± ---	± ---
2 PLACES ± 0.05	± ---
1 PLACE ± 0.1	± ---
ANGULAR ± 2 °	
DRAFT WHERE APPLICABLE MUST REMAIN WITHIN DIMENSIONS	

DIMENSION STYLE	
MM ONLY	
DRAWN BY	DATE
RFORREY	2006/11/27
CHECKED BY	DATE
FDUGGAN	2006/11/27
APPROVED BY	DATE
EFOLAN	2006/11/27
MATERIAL NO.	
SEE TABLE	

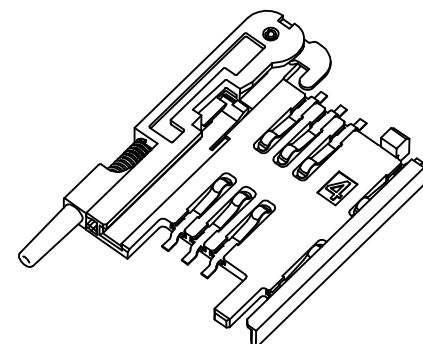
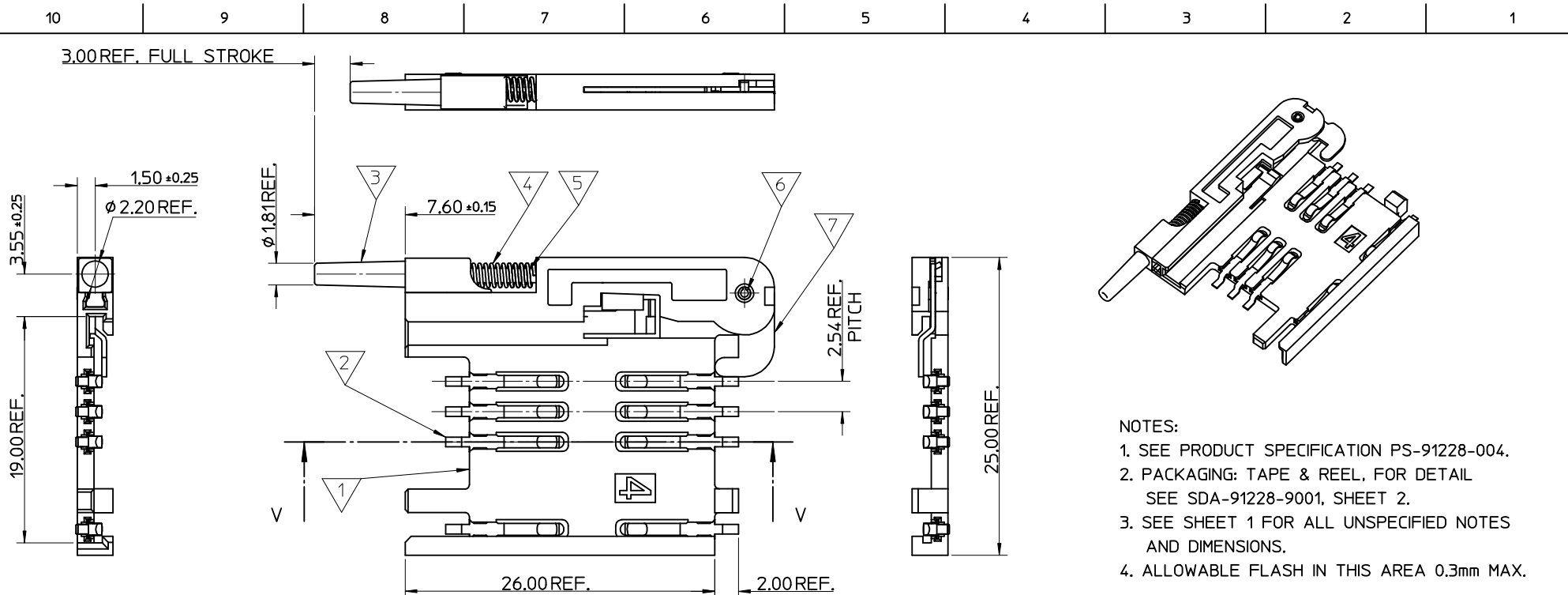
SCALE	DESIGN UNITS	THIRD ANGLE PROJECTION
5:1	METRIC	
TITLE		
SIM CONNECTOR ASSY		
MOLEX INCORPORATED		SHEET NO.
DOCUMENT NO.		1 OF 5
SD-91228-001		
THIS DRAWING CONTAINS INFORMATION THAT IS PROPRIETARY TO MOLEX INCORPORATED AND SHOULD NOT BE USED WITHOUT WRITTEN PERMISSION		



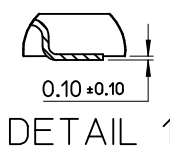
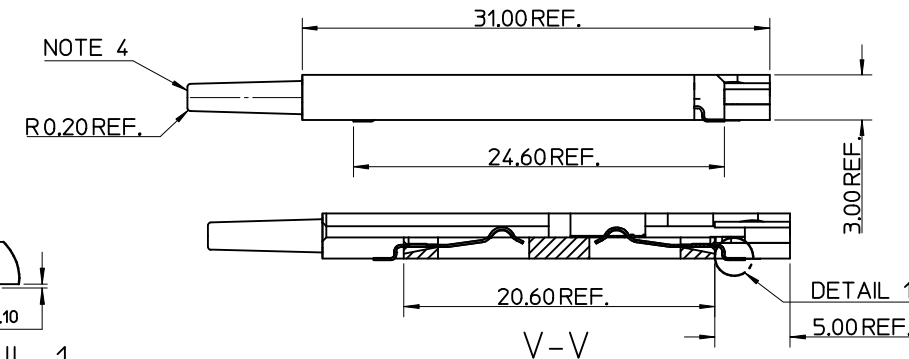
- NOTES:
1. SEE PRODUCT SPECIFICATION PS-99020-0071.
 2. PACKAGING: TAPE & REEL, FOR DETAIL SEE SDA-91228-9001, SHEET 1
 3. FOR ALL UNSPECIFIED DIMENSIONS AND NOTES SEE SHEET 1.

ITEM	COMPONENT	QTY	MATERIAL
▽	HOUSING		LIQUID CRYSTAL POLYMER (LCP) 30% GLASS FILL, UL94 V-0, COLOUR: BLACK
▽	TERMINAL		0.15 PHOSPHOR BRONZE. 0.14m MIN Au OVER Pd/Ni IN CONTACT AREA 2.54m MIN Sn ON SMT TAILS
▽	PUSH BUTTON		GF POLYAMIDE 6T/66. BLACK.
▽	COIL SPRING		0.25 REF THK STAINLESS STEEL
▽	PUSH ROD		0.4 REF THK STAINLESS STEEL
▽	C-PIN		STEEL
▽	LEVER		0.4 REF THK STAINLESS STEEL

SEE SHEET 1 EC NO: PG2017-0662 DRWN: KOBRI/EN01 2017/01/10 CHKD: APPR: STGR/FFIN 2017/03/24	QUALITY SYMBOLS ▽=0 ▽=0	GENERAL TOLERANCES (UNLESS SPECIFIED) mm INCH 4 PLACES ± --- ± --- 3 PLACES ± --- ± --- 2 PLACES ± 0.05 ± --- 1 PLACE ± 0.1 ± --- ANGULAR ± 2 °	DIMENSION STYLE MM ONLY DRAWN BY: RFORREY CHECKED BY: FDUGGAN APPROVED BY: EFOLAN DATE: 2006/11/27 MATERIAL NO. 912283002	SCALE 5:1 DESIGN UNITS METRIC THIRD ANGLE PROJECTION	TITLE SIM CONNECTOR ASSY
	DRAFT WHERE APPLICABLE MUST REMAIN WITHIN DIMENSIONS	SIZE A3 THIS DRAWING CONTAINS INFORMATION THAT IS PROPRIETARY TO MOLEX INCORPORATED AND SHOULD NOT BE USED WITHOUT WRITTEN PERMISSION	MOLEX MOLEX INCORPORATED DOCUMENT NO. SD-91228-001	SHEET NO. 2 OF 5	

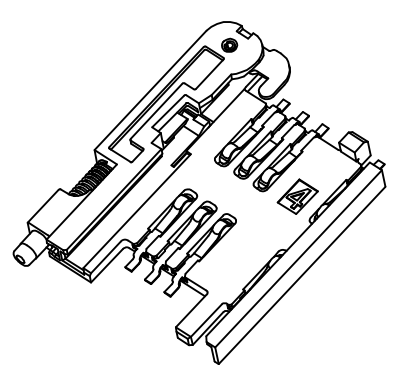
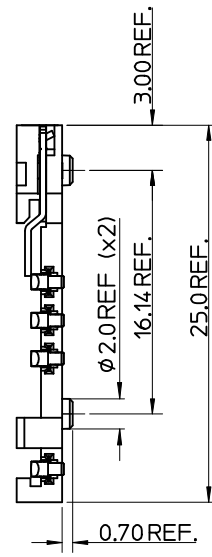
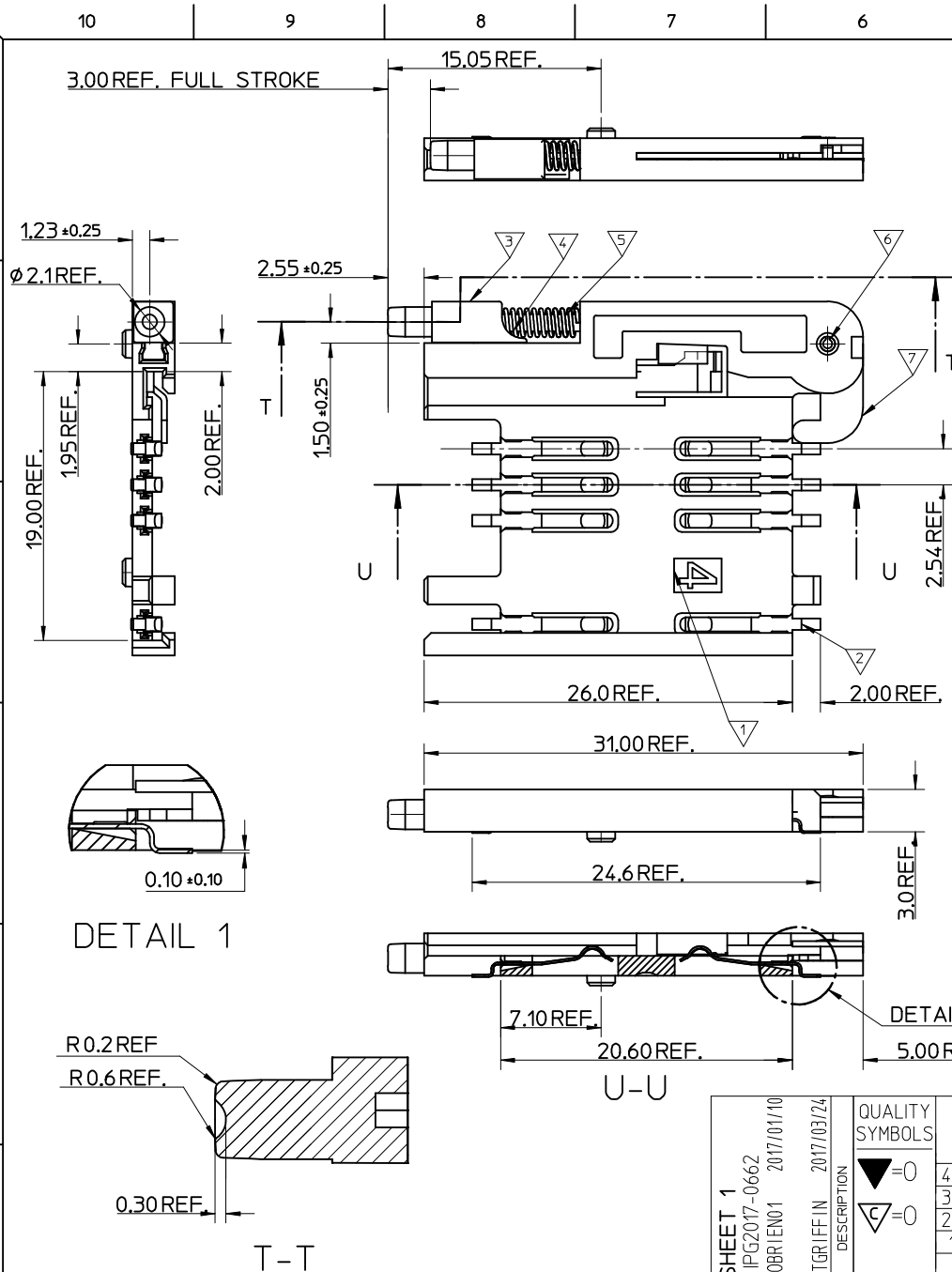


- NOTES:
- SEE PRODUCT SPECIFICATION PS-91228-004.
 - PACKAGING: TAPE & REEL, FOR DETAIL SEE SDA-91228-9001, SHEET 2.
 - SEE SHEET 1 FOR ALL UNSPECIFIED NOTES AND DIMENSIONS.
 - ALLOWABLE FLASH IN THIS AREA 0.3mm MAX.



ITEM	COMPONENT	QTY	MATERIAL
1	HOUSING	1	LIQUID CRYSTAL POLYMER (LCP) 30% GLASS FILL, UL94 V-0, COLOUR: BLACK
2	TERMINAL	8	0.15 PHOSPHOR BRONZE. 0.14mm MIN Au OVER Pd/Ni IN CONTACT AREA 2.54mm MIN Sn ON SMT TAILS
3	PUSH BUTTON	1	GF POLYAMIDE 6T/66, NATURAL
4	COIL SPRING	1	0.25 REF THK STAINLESS STEEL
5	PUSH ROD	1	0.4 REF THK STAINLESS STEEL
6	C-PIN	1	STEEL
7	LEVER	1	0.4 REF THK STAINLESS STEEL

SEE SHEET 1 EC NO: IPGZ07-0662 DRW: KOBRIEN01 2017/01/10 CHKD: APPR: STGRIFFIN 2017/03/24	QUALITY SYMBOLS	GENERAL TOLERANCES (UNLESS SPECIFIED)	DIMENSION STYLE	SCALE	DESIGN UNITS	THIRD ANGLE PROJECTION	
	$\nabla = 0$ $\nabla C = 0$	mm INCH 4 PLACES ± --- ± --- 3 PLACES ± --- ± --- 2 PLACES ± 0.05 ± --- 1 PLACE ± 0.1 ± --- ANGULAR ± 2°	MM ONLY	5:1	METRIC		
		DRAFT WHERE APPLICABLE MUST REMAIN WITHIN DIMENSIONS	DRAWN BY: RFORREY CHECKED BY: FDUGGAN APPROVED BY: EFOLAN MATERIAL NO. 912283005	DATE: 2006/11/27 DATE: 2006/11/27 DATE: 2006/11/27	TITLE: SIM CONNECTOR ASSY MOLEX INCORPORATED DOCUMENT NO. SD-91228-001 SHEET NO. 3 OF 5		
			SIZE: A3 THIS DRAWING CONTAINS INFORMATION THAT IS PROPRIETARY TO MOLEX INCORPORATED AND SHOULD NOT BE USED WITHOUT WRITTEN PERMISSION				



- NOTES:
1. SEE PRODUCT SPECIFICATION PS-99020-0071.
 2. PACKAGING: TAPE & REEL, FOR DETAIL SEE SDA-91228-9001, SHEET 2.
 3. SEE SHEETS 1 & 2 FOR ALL UNSPECIFIED NOTES AND DIMENSIONS.

ITEM	COMPONENT	QTY	MATERIAL
▽	HOUSING	1	LIQUID CRYSTAL POLYMER (LCP) 30% GLASS FILL, UL94 V-0, COLOUR: BLACK
▽	TERMINAL	8	0.15 PHOSPHOR BRONZE, 0.14µm MIN Au OVER Pd/Ni IN CONTACT AREA 2.54µm MIN Sn ON SMT TAILS
▽	PUSH BUTTON	1	GF POLYAMIDE 6T/66, BLACK.
▽	COIL SPRING	1	0.25 REF THK STAINLESS STEEL
▽	PUSH ROD	1	0.4 REF THK STAINLESS STEEL
▽	C-PIN	1	STEEL
▽	LEVER	1	0.4 REF THK STAINLESS STEEL

DETAIL 1

DETAIL 1

T-T

U-U

SEE SHEET 1
 EC NO: IPG2017-0662
 DRW: NIKOBRI/EN01 2017/01/10
 CHKD:
 APPR: STGR/FFIN 2017/03/24

QUALITY SYMBOLS
 ▽=0
 ▽=0

GENERAL TOLERANCES (UNLESS SPECIFIED)

	mm	INCH
4 PLACES	± ---	± ---
3 PLACES	± ---	± ---
2 PLACES	± 0.05	± ---
1 PLACE	± 0.1	± ---
ANGULAR ± 2 °		

DRAFT WHERE APPLICABLE
 MUST REMAIN
 WITHIN DIMENSIONS

DIMENSION STYLE
MM ONLY

SCALE
5:1

DESIGN UNITS
METRIC

THIRD ANGLE PROJECTION

DRAWN BY: RFORREY
 DATE: 2006/11/27

CHECKED BY: FDUGGAN
 DATE: 2006/11/27

APPROVED BY: EFOLAN
 DATE: 2006/11/27

MATERIAL NO.
912283006

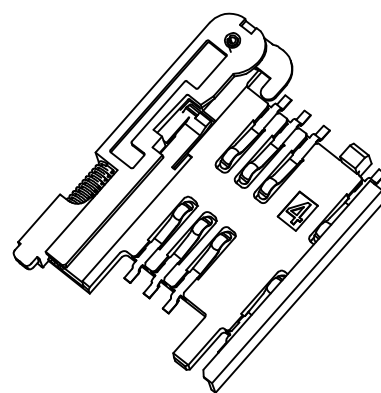
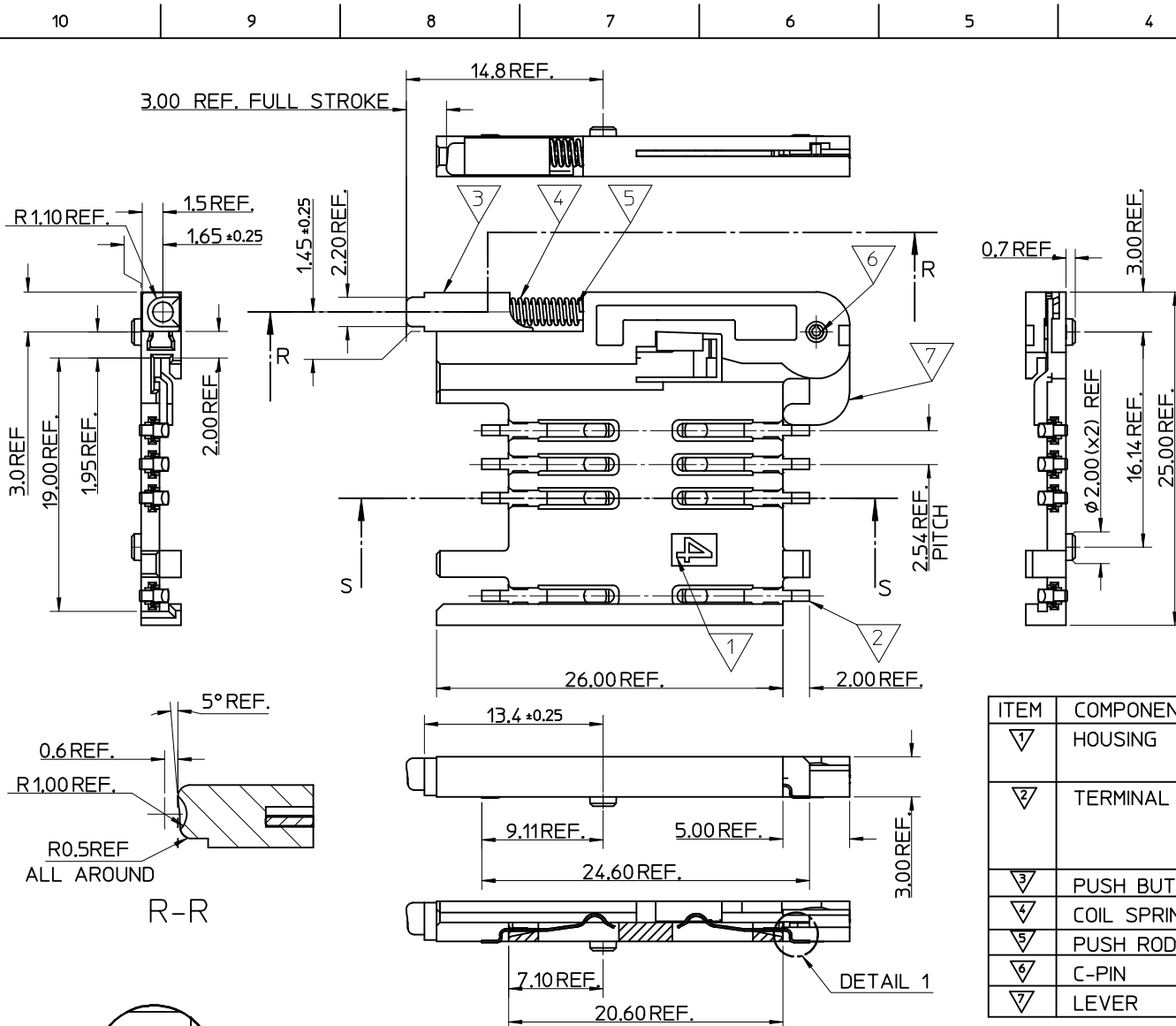
TITLE
SIM CONNECTOR ASSY

MOLEX MOLEX INCORPORATED

DOCUMENT NO.
SD-91228-001

SHEET NO.
4 OF 5

THIS DRAWING CONTAINS INFORMATION THAT IS PROPRIETARY TO MOLEX INCORPORATED AND SHOULD NOT BE USED WITHOUT WRITTEN PERMISSION



- NOTES:
1. SEE PRODUCT SPECIFICATION PS-99020-0071.
 2. PACKAGING: TAPE & REEL, FOR DETAIL SEE SDA-91228-9001, SHEET 1.
 3. SEE SHEET 1 FOR ALL UNSPECIFIED NOTES AND DIMENSIONS.

ITEM	COMPONENT	QTY	MATERIAL
▽	HOUSING	1	LIQUID CRYSTAL POLYMER (LCP) 30% GLASS FILL, UL94 V-0, COLOUR: BLACK
▽	TERMINAL	8	0.15 PHOSPHOR BRONZE. 0.14mm MIN Au OVER Pd/Ni IN CONTACT AREA 2.54mm MIN Sn ON SMT TAILS
▽	PUSH BUTTON	1	GF POLYAMIDE 6T/66, BLUE
▽	COIL SPRING	1	0.25 REF THK STAINLESS STEEL
▽	PUSH ROD	1	0.4 REF THK STAINLESS STEEL
▽	C-PIN	1	STEEL
▽	LEVER	1	0.4 REF THK STAINLESS STEEL

REV	DESCRIPTION	DATE
1	APPR: STGRIFFIN	2017/03/24
2	CHKD:	
3	DRWN: KOBRIEN01	2017/01/10
4	EC NO: P92017-0662	

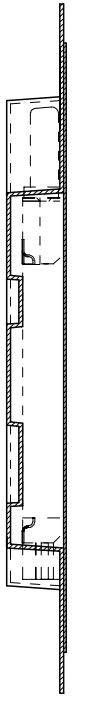
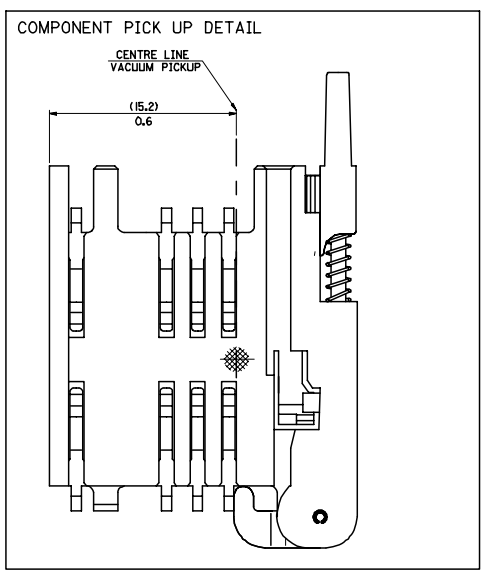
SEE SHEET 1

QUALITY SYMBOLS	DESCRIPTION
▽=0	
▽=0	

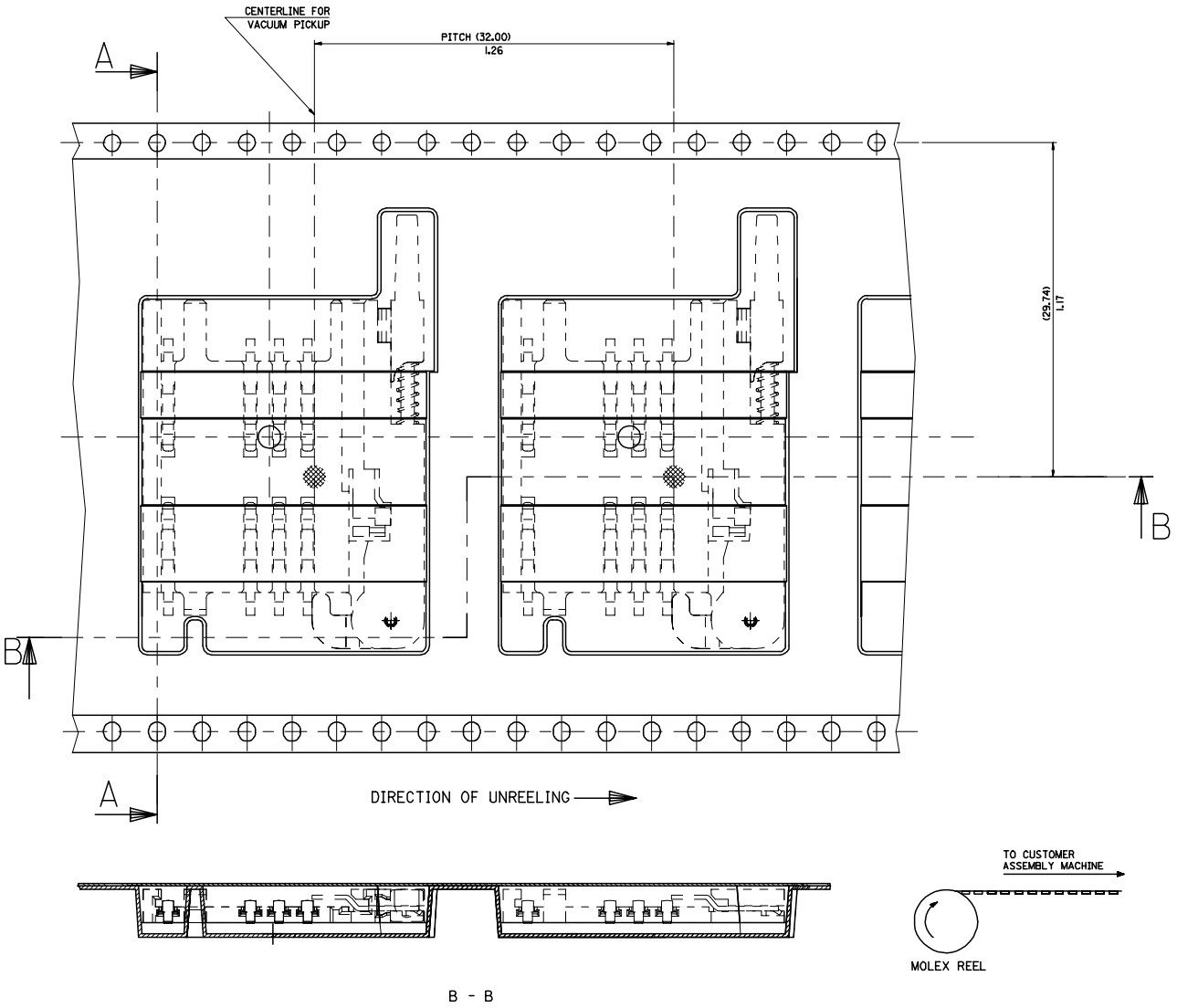
GENERAL TOLERANCES (UNLESS SPECIFIED)		DIMENSION STYLE		SCALE	DESIGN UNITS	THIRD ANGLE PROJECTION
mm	INCH	MM ONLY		5:1	METRIC	
4 PLACES ± ---	± ---	DRAWN BY	DATE	TITLE		
3 PLACES ± ---	± ---	RFORREY	2006/11/27	SIM CONNECTOR ASSY		
2 PLACES ± 0.05	± ---	CHECKED BY	DATE	MOLEX INCORPORATED		
1 PLACE ± 0.1	± ---	FDUGGAN	2006/11/27	DOCUMENT NO.		
ANGULAR ± 2 °		APPROVED BY	DATE	SHEET NO.		
		EFOLAN	2006/11/27	5 OF 5		
DRAFT WHERE APPLICABLE MUST REMAIN WITHIN DIMENSIONS		MATERIAL NO.				
		912283007				

SIZE	THIS DRAWING CONTAINS INFORMATION THAT IS PROPRIETARY TO MOLEX INCORPORATED AND SHOULD NOT BE USED WITHOUT WRITTEN PERMISSION	
A3		

20 19 18 17 16 15 14 13 12 11 10 9 8 7 6 5 4 3 2 1



PART NO	DESCRIPTION
91228-0005 & 91228-3005	SIM CONNECTOR WITHOUT PEGS
91228-0010 & 91228-3010	SIM CONNECTOR WITH PEGS
91228-0006 & 91228-3006	SIM CONNECTOR WITH PEGS



NOTES:
 1) FOR ALL UNSPECIFIED NOTES, DETAILS AND DIMENSIONS SEE SHEET 1

ADDED NEW P/IN'S ECLANG E2007-0648 2007/02/19 DRAWN BY CHKD APPROVED APPR-EFOLAN 2007/02/22 2007/02/28	QUALITY SYMBOLS	GENERAL TOLERANCES (UNLESS SPECIFIED)	DIMENSION STYLE	SCALE	DESIGN UNITS	THIRD ANGLE PROJECTION															
	$\nabla=0$ $\nabla=0$	<table border="1"> <thead> <tr> <th></th> <th>mm</th> <th>INCH</th> </tr> </thead> <tbody> <tr> <td>4 PLACES</td> <td>±---</td> <td>±---</td> </tr> <tr> <td>3 PLACES</td> <td>±---</td> <td>±---</td> </tr> <tr> <td>2 PLACES</td> <td>±0.1</td> <td>±---</td> </tr> <tr> <td>1 PLACE</td> <td>±0.2</td> <td>±---</td> </tr> </tbody> </table>		mm	INCH	4 PLACES	±---	±---	3 PLACES	±---	±---	2 PLACES	±0.1	±---	1 PLACE	±0.2	±---	MM/IN	---	METRIC	
		mm	INCH																		
	4 PLACES	±---	±---																		
3 PLACES	±---	±---																			
2 PLACES	±0.1	±---																			
1 PLACE	±0.2	±---																			
DRAFT WHERE APPLICABLE MUST REMAIN WITHIN DIMENSIONS	DRAWN BY: DMAHER DATE: 2006/12/07 CHECKED BY: FUGGAN DATE: 2006/12/07 APPROVED BY: EFOLAN DATE: 2006/12/07	DIMENSION STYLE: MM/IN SCALE: --- DESIGN UNITS: METRIC THIRD ANGLE PROJECTION	TITLE: BLISTER PACKAGING SIM CARD PCB HOUSING																		
MATERIAL NO. SEE CHART SIZE: A 1	MOLEX INCORPORATED DOCUMENT NO. SDA-91228-9001			SHEET NO. 2 OF 4																	

19 18 17 16 15 14 13 12 11 10 9 8 7 6 5 4 3 2 1