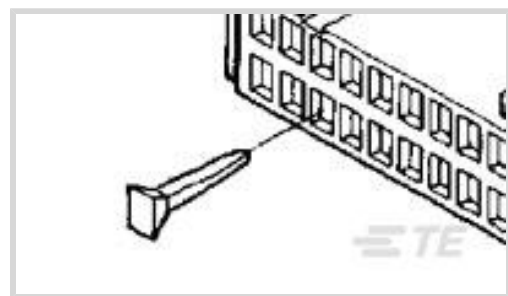




Connectors > PCB Connectors > Wire-to-Board Connectors > FFC, FPC & Ribbon Connectors > Ribbon Connector Accessories



Flat Flexible Cable Accessory Type: **Keying Plug**

Features

Product Type Features

Flat Flexible Cable Accessory Type	Keying Plug
------------------------------------	-------------

Body Features

Primary Product Material	Polyamide 6.6, Glass Filled
Primary Product Color	Natural

Dimensions

Product Length	5.5 mm
----------------	--------

Packaging Features

Packaging Quantity	2000
Packaging Method	Package

Product Compliance

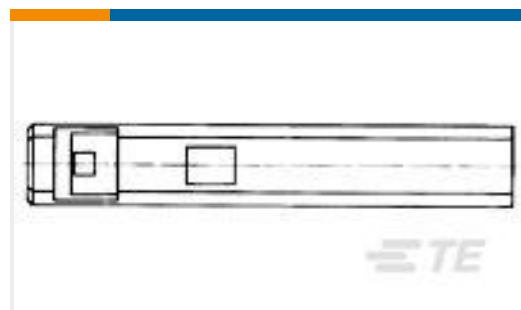
[For compliance documentation, visit the product page on TE.com>](#)

EU RoHS Directive 2011/65/EU	Compliant
EU ELV Directive 2000/53/EC	Compliant
China RoHS 2 Directive MIIT Order No 32, 2016	No Restricted Materials Above Threshold
EU REACH Regulation (EC) No. 1907/2006	Current ECHA Candidate List: JUNE 2022 (224) Candidate List Declared Against: JAN 2022 (223) SVHC > Threshold: Not Yet Reviewed
Halogen Content	Low Halogen - Br, Cl, F, I < 900 ppm per homogenous material. Also BFR/CFR/PVC Free
Solder Process Capability	Not applicable for solder process capability

Product Compliance Disclaimer

This information is provided based on reasonable inquiry of our suppliers and represents our current actual knowledge based on the information they provided. This information is subject to change. The part numbers that TE has identified as EU RoHS compliant have a maximum concentration of 0.1% by weight in homogenous materials for lead, hexavalent chromium, mercury, PBB, PBDE, DBP, BBP, DEHP, DIBP, and 0.01% for cadmium, or qualify for an exemption to these limits as defined in the Annexes of Directive 2011/65/EU (RoHS2). Finished electrical and electronic equipment products will be CE marked as required by Directive 2011/65/EU. Components may not be CE marked. Additionally, the part numbers that TE has identified as EU ELV compliant have a maximum concentration of 0.1% by weight in homogenous materials for lead, hexavalent chromium, and mercury, and 0.01% for cadmium, or qualify for an exemption to these limits as defined in the Annexes of Directive 2000/53/EC (ELV). Regarding the REACH Regulation, the information TE provides on SVHC in articles for this part number is based on the latest European Chemicals Agency (ECHA) 'Guidance on requirements for substances in articles' posted at this URL: <https://echa.europa.eu/guidance-documents/guidance-on-reach>

Compatible Parts



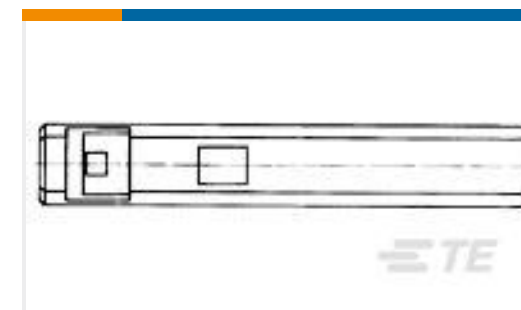
TE Part # 926657-6
LOCKING CLIP HSG



TE Part # 926657-4
LOCKING CLIP HSG



TE Part # 926209-3
LOCKING CLIP HSG.



TE Part # 926010-1
LOCKING CLIP HSG



TE Part # 965082-1
2X 2P LOCK-CLIP GEH



TE Part # 926209-5
LOCKING CLIP HSG.



TE Part # 926209-4
2X4P LOCK-CLIP GEH



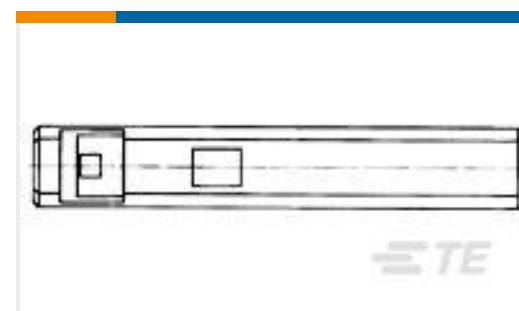
TE Part # 926657-5
5P LOCKG CLIP GEH



TE Part # 926209-8
2X8P LOCK-CLIP GEH



TE Part # 5-926657-2
2P LOCK-CLIP GEH



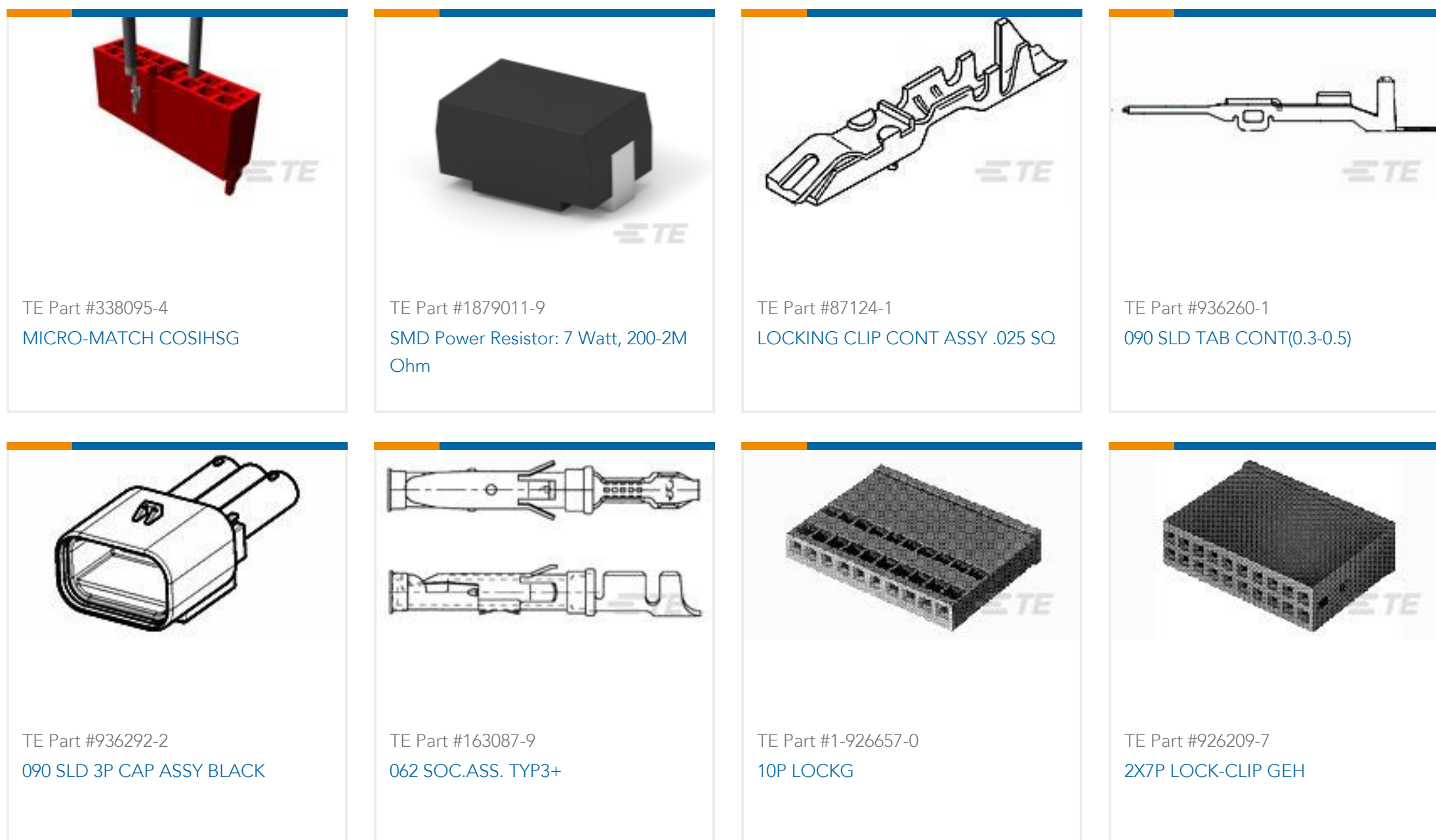
TE Part # 926657-7
7P LOCKG CLIP GEH



TE Part # 926657-3
3P LOCKG CLIP GEH



Customers Also Bought



Documents

Product Drawings

[KEYING PLUG](#)

English

CAD Files

[3D PDF](#)

English

[Customer View Model](#)

[ENG_CVM_926329-1_D.2d_dxf.zip](#)



English

Customer View Model

[ENG_CVM_926329-1_D.3d_igs.zip](#)

English

Customer View Model

[ENG_CVM_926329-1_D.3d_stp.zip](#)

English

By downloading the CAD file I accept and agree to the [Terms and Conditions](#) of use.

Product Environmental Compliance

[MD_926329-1_022720191212_dmtec](#)

English

[MD_926329-1_022720191212_dmtec](#)

English