

PLEASE CHECK WWW.MOLEX.COM FOR LATEST PART INFORMATION

Part Number: [0988532961](#)
Status: **Active**
Overview: [Squib Right-Angle AK-2 Cable Assemblies](#)
Description: [SQUIB Right-Angle AK-2 Cable Assembly, Code 1, 1.0m Length](#)

Documents:

[Drawing \(PDF\)](#) [RoHS Certificate of Compliance \(PDF\)](#)

General

Product Family	Cable Assemblies
Series	98853
Assembly Configuration	Single Ended Connector
Comments	Cover (Yellow), CPA (Orange), Cover (Yellow), CPA (Orange)
Connector to Connector	Squib Connector-to-Pigtail
Overview	Squib Right-Angle AK-2 Cable Assemblies
Product Name	Squib
UPC	889056024006

Physical

Cable Length	1.0m
Circuits (Loaded)	2
Color - Resin	Black
Gender	Female
Lock to Mating Part	Yes
Material - Metal	Copper Alloy
Material - Plating Mating	Gold
Material - Plating Termination	Gold
Material - Resin	PBT
Net Weight	16.260/g
Packaging Type	Bag
Pitch - Mating Interface	3.10mm
Plating min - Mating	0.508µm
Plating min - Termination	0.508µm
Single Ended	Yes
Termination Interface: Style	AK2 Standard
Waterproof / Dustproof	No
Wire Insulation Diameter	1.6 mm MAX
Wire Size AWG	20
Wire/Cable Type	FLRY-A

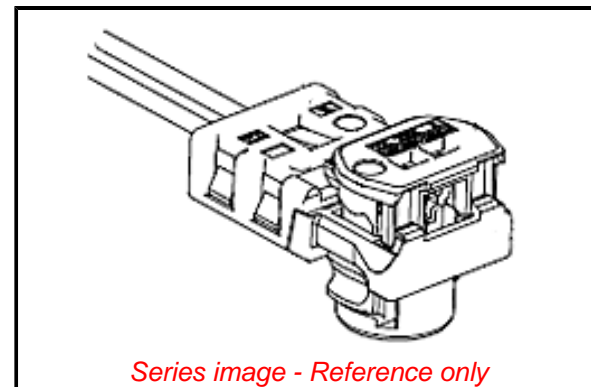
Electrical

Current - Maximum per Contact	6.7A
Shielded	No

Material Info

Reference - Drawing Numbers

Sales Drawing	SD-98853-130
---------------	--------------



EU ELV

Not Relevant

EU RoHS

Compliant

REACH SVHC

Not Contained Per
-ED/01/2018 (15
January 2018)

Halogen-Free

Status

Not Reviewed

For more information, please visit [Contact US](#)

China ROHS

ELV

RoHS Phthalates

China RoHS

Green Image

Not Relevant

Not Contained

Search Parts in this Series

[98853 Series](#)

Mates With

USCAR Drawing 999-U-002-1-Z03,
Rev. A00, Date: 2007-Aug-24. ISO/TS
19072-4:2009(E), Dated: 2009-Jul-21.