



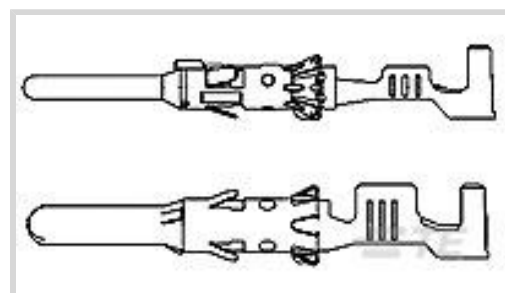
AMP | Round Connector System

TE Internal #: 929967-8

Automotive Terminals, Pin, Pin Diameter .098 in [2.5 mm], 20 – 17 AWG Wire Size, .5 – 1 mm² Wire Size, Sealable, Round Connector System

[View on TE.com >](#)

Terminals & Splices > Automotive Terminals > ROUND CONNECTOR SYSTEM, PIN AND SOCKET



Terminal Type: Pin

Mating Pin Diameter: 2.5 mm [.098 in]

Terminal Transmits: 25 – 40 A (Power)

Wire Size: .5 – 1 mm²

[All Round Connector System, Pin and Socket \(74\)](#)

Features

Product Type Features

Sealable	Yes
Primary Locking Feature	Locking Lance

Body Features

Terminal Seal Type	Single Wire Seal (SWS)
--------------------	------------------------

Contact Features

Contact Size	2.5mm
Contact Fabrication	Stamped & Formed
Typical Current Rating	40 A
Crimp Type	F-Crimp
Terminal Type	Pin
Mating Pin Diameter	2.5 mm[.098 in]
Interface Plating	Gold (Au)
Contact Termination Area Plating Material	Tin (Sn)

Termination Features

Termination Method to Wire & Cable	Crimp
Product Terminates To	Wire

Dimensions



Wire Size	.5 – 1 mm ²
Wire Size Search	17 AWG, 18 AWG, 19 AWG, 20 AWG
Wire Insulation Diameter	1.2 – 2.1 mm [.047 – .082 in]

Usage Conditions

Insulation Option	Uninsulated
Operating Temperature (Max)	80 °C, 85 °C, 90 °C, 100 °C, 105 °C, 110 °C, 120 °C, 125 °C, 130 °C [176 °F][185 °F][194 °F][212 °F][221 °F][230 °F][248 °F][257 °F][266 °F]
Operating Temperature Range	-40 – 130 °C [-40 – 266 °F]

Operation/Application

Compatible With Wire Base Material	Copper
------------------------------------	--------

Packaging Features

Packaging Method	Strip
Packaging Quantity	3000

Other

Terminal Transmits	25 – 40 A (Power)
--------------------	-------------------

Product Compliance

[For compliance documentation, visit the product page on TE.com>](#)

EU RoHS Directive 2011/65/EU	Compliant
EU ELV Directive 2000/53/EC	Compliant
China RoHS 2 Directive MIIT Order No 32, 2016	No Restricted Materials Above Threshold
EU REACH Regulation (EC) No. 1907/2006	Current ECHA Candidate List: JUNE 2022 (224) Candidate List Declared Against: JUNE 2022 (224) Does not contain REACH SVHC
Halogen Content	Low Halogen - Br, Cl, F, I < 900 ppm per homogenous material. Also BFR/CFR/PVC Free
Solder Process Capability	Not applicable for solder process capability

Product Compliance Disclaimer

This information is provided based on reasonable inquiry of our suppliers and represents our current actual knowledge based on the information they provided. This information is subject to change. The part numbers that TE has identified as EU RoHS compliant have a maximum concentration of 0.1% by weight in homogenous materials for lead, hexavalent chromium, mercury, PBB, PBDE, DBP, BBP, DEHP, DIBP, and 0.01% for cadmium, or qualify for an exemption to these

limits as defined in the Annexes of Directive 2011/65/EU (RoHS2). Finished electrical and electronic equipment products will be CE marked as required by Directive 2011/65/EU. Components may not be CE marked. Additionally, the part numbers that TE has identified as EU ELV compliant have a maximum concentration of 0.1% by weight in homogenous materials for lead, hexavalent chromium, and mercury, and 0.01% for cadmium, or qualify for an exemption to these limits as defined in the Annexes of Directive 2000/53/EC (ELV). Regarding the REACH Regulation, the information TE provides on SVHC in articles for this part number is based on the latest European Chemicals Agency (ECHA) 'Guidance on requirements for substances in articles' posted at this URL: <https://echa.europa.eu/guidance-documents/guidance-on-reach>

Compatible Parts



TE Part # 58606-1
PROCRIMP 1.5 & 2.5MM PIN/SEAL



TE Part # 1-1579007-8
EXTRACTION TOOL



TE Part # 828920-1
EINZELADERDICHTUNG



TE Part # 2305570-1
TERMINAL CUTTER, SIDE FEED



TE Part # CAT-C4962-CH8172
CIRCULAR DIN HOUSINGS



TE Part # 2-2151139-1
OCEAN-2.0-APPLICATOR-S-080F160OV



TE Part # 2-2151139-2
OCEAN-2.0-APPLICATOR-S-080F160OV



TE Part # 2151139-1
OCEAN-2.0-APPLICATOR-S-080F160OV




TE Part # 2151139-2
OCEAN-2.0-APPLICATOR-S-080F160OV



TE Part # 2387332-1
SDE F 2.5mm CONTACT 0.35-1.0mm² ASSY



TE Part # 2387332-2
SDE F 2.5mm CONTACT 0.35-1.0mm² DIE SET



TE Part # 5-2151139-1
OCEAN-2.0-APPLICATOR-S-080F160OV



TE Part # 5-2151139-2
OCEAN-2.0-APPLICATOR-S-080F160OV



TE Part # 58606-2
PC DIE 1.5 & 2.5 PIN W/S



TE Part # 7-2151139-1
OCEAN-2.0-APPLICATOR-S-080F160OV



TE Part # 7-2151139-2
OCEAN-2.0-APPLICATOR-S-080F160OV



KIT

REPRESENTATION ONLY

TE Part # 7-2151139-7
OCEAN_2.0_SPARE_PART_KIT-080F160OV




KIT


REPRESENTATION ONLY

TE Part # 7-2266055-7
OC-080F160O-CRIMPTOOLINGKIT


Also in the Series | Round Connector System




Automotive Connector Caps & Covers (5)




Automotive Housings(16)



Automotive Seals & Cavity Plugs(3)




Automotive Terminals(74)

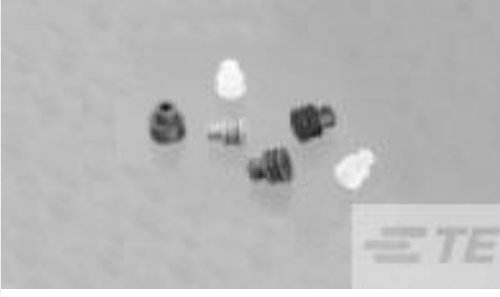


Insertion & Extraction Tools(8)

Customers Also Bought



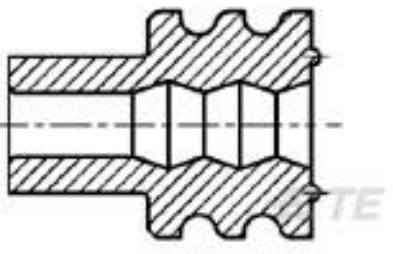
TE Part #31818
SOLIS BUTT 22-16 COMM 22-18MIL



TE Part #828921-1
EINZELADERDICHTUNG



TE Part #790319-3
250 PL MKI REC. 12-10AWG PTBR




TE Part #963292-1
WIRE SEALING 2,2




TE Part #1-967402-1
2,5MM ST-GEH KPL 4P



TE Part #929968-1
ROUND CONNECTOR SYSTEM, PIN AND SOCKET



TE Part #1337101-1
BLANKING PLUG



TE Part #1991218-1
4WAY SENSOR SKT ASSY, BLACK CODE A



Documents

Product Drawings

[2,5MM SWS PIN CONT.\(0,5-1,0\)](#)

English

[2,5MM SWS PIN CONT.\(0,5-1,0\)](#)

English

CAD Files

Customer View Model

[ENG_CVM_929967-8_A2.3d_igs.zip](#)

English

Customer View Model

[ENG_CVM_929967-8_A2.3d_stp.zip](#)

English

Customer View Model

[ENG_CVM_929967-8_A2.2d_dxf.zip](#)

English

3D PDF

English

By downloading the CAD file I accept and agree to the [Terms and Conditions](#) of use.

Datasheets & Catalog Pages

[CONNECTOR SELECTOR](#)

English

Product Specifications

[Application Specification](#)

English

[Application Specification](#)

English

Product Environmental Compliance

[Product Compliance](#)

English

[Product Compliance](#)

English