



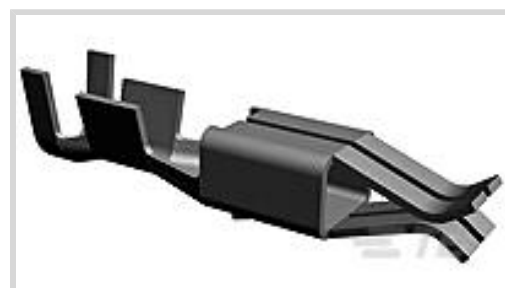
AMP | Timer Connector System

TE Internal #: 925590-4

Automotive Terminals, Receptacle, Mating Tab Width 2.8 mm [.11 in], Tab Thickness .031 in [.8 mm], 20 – 15 AWG Wire Size, Timer Connector System

[View on TE.com >](#)

Terminals & Splices > Automotive Terminals > TIMER, RECEPTACLE AND TAB



Terminal Type: **Receptacle**

Mating Tab Width: **2.8 mm [.11 in]**

Mating Tab Thickness: **.8 mm [.031 in]**

Terminal Transmits: **0 – 24 A (Low Power)**

Wire Size: **20 – 15 AWG**

[All TIMER, RECEPTACLE AND TAB \(344\)](#)

## Features

### Product Type Features

|                         |               |
|-------------------------|---------------|
| Receptacle Style        | 180°          |
| Sealable                | No            |
| Primary Locking Feature | Locking Lance |

### Contact Features

|                        |                  |
|------------------------|------------------|
| Contact Size           | 2.8mm            |
| Contact Fabrication    | Stamped & Formed |
| Typical Current Rating | 20 A             |
| Crimp Type             | F-Crimp          |
| Terminal Type          | Receptacle       |
| Mating Tab Width       | 2.8 mm[.11 in]   |
| Mating Tab Thickness   | .8 mm[.031 in]   |
| Interface Plating      | Silver (Ag)      |

### Termination Features

|                                    |       |
|------------------------------------|-------|
| Termination Method to Wire & Cable | Crimp |
| Product Terminates To              | Wire  |

### Dimensions

|           |                          |
|-----------|--------------------------|
| Wire Size | .5 – 1.5 mm <sup>2</sup> |
|-----------|--------------------------|



|                  |  |
|------------------|--|
| Wire Size Search | 15 AWG, 16 AWG, 17 AWG, 18 AWG, 19 AWG, 20 AWG |
|------------------|--|

|                          |                           |
|--------------------------|---------------------------|
| Wire Insulation Diameter | 2 – 3 mm [.079 – .118 in] |
|--------------------------|---------------------------|

### Usage Conditions

|                   |             |
|-------------------|-------------|
| Insulation Option | Uninsulated |
|-------------------|-------------|

|                             |  |
|-----------------------------|--|
| Operating Temperature (Max) | 80 °C, 85 °C, 90 °C, 100 °C, 105 °C, 110 °C, 120 °C [176 °F] [185 °F] [194 °F] [212 °F] [221 °F] [230 °F] [248 °F] |
|-----------------------------|--|

|                             |                             |
|-----------------------------|-----------------------------|
| Operating Temperature Range | -40 – 120 °C [-40 – 248 °F] |
|-----------------------------|-----------------------------|

### Operation/Application

|                                    |        |
|------------------------------------|--------|
| Compatible With Wire Base Material | Copper |
|------------------------------------|--------|

### Industry Standards

|                 |                             |
|-----------------|-----------------------------|
| Agency/Standard | IEC 664/664A (DIN VDE 0110) |
|-----------------|-----------------------------|

### Packaging Features

|                  |      |
|------------------|------|
| Packaging Method | Reel |
|------------------|------|

|                    |      |
|--------------------|------|
| Packaging Quantity | 4000 |
|--------------------|------|

### Other

|                    |                      |
|--------------------|----------------------|
| Terminal Transmits | 0 – 24 A (Low Power) |
|--------------------|----------------------|

## Product Compliance

[For compliance documentation, visit the product page on TE.com>](#)

|                              |           |
|------------------------------|-----------|
| EU RoHS Directive 2011/65/EU | Compliant |
|------------------------------|-----------|

|                             |           |
|-----------------------------|-----------|
| EU ELV Directive 2000/53/EC | Compliant |
|-----------------------------|-----------|

|   |   |
|---|---|
| China RoHS 2 Directive MIIT Order No 32, 2016 | No Restricted Materials Above Threshold |
|---|---|

|  |  |
|--|--|
| EU REACH Regulation (EC) No. 1907/2006 | Current ECHA Candidate List: JUNE 2022 (224)<br>Candidate List Declared Against: JUL 2021 (219)<br>SVHC > Threshold:<br>Not Yet Reviewed |
|--|--|

|                 |   |
|-----------------|---|
| Halogen Content | Low Halogen - Br, Cl, F, I < 900 ppm per homogenous material. Also BFR/CFR/PVC Free |
|-----------------|---|

|                           |  |
|---------------------------|--|
| Solder Process Capability | Not applicable for solder process capability |
|---------------------------|--|

Product Compliance Disclaimer

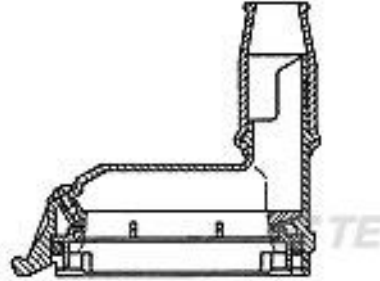


This information is provided based on reasonable inquiry of our suppliers and represents our current actual knowledge based on the information they provided. This information is subject to change. The part numbers that TE has identified as EU RoHS compliant have a maximum concentration of 0.1% by weight in homogenous materials for lead, hexavalent chromium, mercury, PBB, PBDE, DBP, BBP, DEHP, DIBP, and 0.01% for cadmium, or qualify for an exemption to these limits as defined in the Annexes of Directive 2011/65/EU (RoHS2). Finished electrical and electronic equipment products will be CE marked as required by Directive 2011/65/EU. Components may not be CE marked. Additionally, the part numbers that TE has identified as EU ELV compliant have a maximum concentration of 0.1% by weight in homogenous materials for lead, hexavalent chromium, and mercury, and 0.01% for cadmium, or qualify for an exemption to these limits as defined in the Annexes of Directive 2000/53/EC (ELV). Regarding the REACH Regulation, the information TE provides on SVHC in articles for this part number is based on the latest European Chemicals Agency (ECHA) 'Guidance on requirements for substances in articles' posted at this URL: <https://echa.europa.eu/guidance-documents/guidance-on-reach>

## Compatible Parts



TE Part # 2305570-1  
TERMINAL CUTTER, SIDE FEED



TE Part # 963325-1  
25P J-T GRIFFSCHALE



TE Part # 2-2151270-1  
OCEAN-2.0-APPLICATOR-S-090F130F



TE Part # 2-2151270-2  
OCEAN-2.0-APPLICATOR-S-090F130F



TE Part # 2151270-1  
OCEAN-2.0-APPLICATOR-S-090F130F



TE Part # 2151270-2  
OCEAN-2.0-APPLICATOR-S-090F130F



TE Part # 7-2151270-1  
OCEAN-2.0-APPLICATOR-S-090F130F




TE Part # 7-2151270-2  
OCEAN-2.0-APPLICATOR-S-090F130F



**KIT**  
REPRESENTATION ONLY

TE Part # 7-2151270-7  
OCEAN\_2.0\_SPARE\_PART\_KIT-090F130F



TE Part # 720788-8  
EXTRCTION TOOL FOR MINI SPRING



TE Part # 539687-2  
ERGOCRIMP DIE SET TIMER

Also in the Series | **Timer Connector System**



Automotive Connector Caps & Covers (11)



Automotive Connector Locks & Position Assurance(16)



Automotive Housings(219)



Automotive Seals & Cavity Plugs(31)



Automotive Terminals(138)



Crimp Terminal Housings(13)



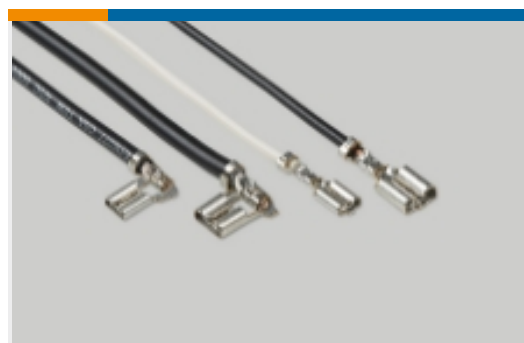
Insertion & Extraction Tools(20)



Other Automotive Connector Accessories(1)



PCB Headers & Receptacles(78)



Quick Disconnects(4)

## Customers Also Bought



TE Part #827551-3  
TIMER, CONNECTOR HOUSING



TE Part #1375820-4  
CST-100 II HOUSING 4 POS



TE Part #828920-1  
EINZELADERDICHUNG



TE Part #776463-1  
STRAIN RELIEF,35 POSITION  
AMPSEAL



TE Part #DTM04-08PA  
REC, 8P, GRY, N, A



TE Part #3-1447221-5  
S/S CONN REC CONTACT ASSEMBLY



TE Part #1-967325-1  
2,5MM BU-GEH 4P



TE Part #927771-6  
JPT REC 2.8 Contact SRC Ag



## Documents

### Product Drawings

#### MINI SPRING REC.

English

### CAD Files

#### 3D PDF

3D

#### Customer View Model

[ENG\\_CVM\\_CVM\\_925590-4\\_Y\\_c-925590-4-y.2d\\_dxf.zip](#)

English

#### Customer View Model

[ENG\\_CVM\\_CVM\\_925590-4\\_Y\\_c-925590-4-y.3d\\_igs.zip](#)

English

#### Customer View Model

[ENG\\_CVM\\_CVM\\_925590-4\\_Y\\_c-925590-4-y.3d\\_stp.zip](#)

English

By downloading the CAD file I accept and agree to the [Terms and Conditions](#) of use.

### Datasheets & Catalog Pages

#### Timer Interconnection System

English

### Product Specifications

#### Application Specification

German

#### ET\*\*Junior Timer Contact

English

#### Application Specification

English

#### Application Specification

English

#### Application Specification

Japanese

#### CRIMPING L-JETRONIC\* MINI-SPRING CONTACT

English



## CRIMPING L-JETRONIC\* MINI-SPRING CONTACT

Japanese

---

### Product Environmental Compliance

Product Compliance

English

Product Compliance

English