



Maxi Power Timer

TE Internal #: 967228-1

TE Internal Description: MAXI-POW-TIM GAP0,8

TIMER, RECEPTACLE AND TAB

[View on TE.com >](#)



[All TIMER, RECEPTACLE AND TAB \(344\)](#)

Product Compliance

[For compliance documentation, visit the product page on TE.com>](#)

EU RoHS Directive 2011/65/EU	Compliant
EU ELV Directive 2000/53/EC	Compliant
China RoHS 2 Directive MIIT Order No 32, 2016	No Restricted Materials Above Threshold
EU REACH Regulation (EC) No. 1907/2006	Current ECHA Candidate List: JUNE 2022 (224) Candidate List Declared Against: JAN 2022 (223) SVHC > Threshold: Not Yet Reviewed
Halogen Content	Low Halogen - Br, Cl, F, I < 900 ppm per homogenous material. Also BFR/CFR/PVC Free
Solder Process Capability	Not applicable for solder process capability

Product Compliance Disclaimer

This information is provided based on reasonable inquiry of our suppliers and represents our current actual knowledge based on the information they provided. This information is subject to change. The part numbers that TE has identified as EU RoHS compliant have a maximum concentration of 0.1% by weight in homogenous materials for lead, hexavalent chromium, mercury, PBB, PBDE, DBP, BBP, DEHP, DIBP, and 0.01% for cadmium, or qualify for an exemption to these limits as defined in the Annexes of Directive 2011/65/EU (RoHS2). Finished electrical and electronic equipment products will be CE marked as required by Directive 2011/65/EU. Components may not be CE marked. Additionally, the part numbers that TE has identified as EU ELV compliant have a maximum concentration of 0.1% by weight in homogenous materials for lead, hexavalent chromium, and mercury, and 0.01% for cadmium, or qualify for an exemption to these limits as defined in the Annexes of Directive 2000/53/EC (ELV). Regarding the REACH Regulation, the information TE provides on SVHC in articles for this part number is based on the latest European Chemicals Agency (ECHA) 'Guidance on requirements for substances in articles' posted at this URL: <https://echa.europa.eu/guidance-documents/guidance-on-reach>

Compatible Parts

TE Part # 1-1579007-7
EXTRACTION TOOL

TE Part # 2-2151284-2
OCEAN-2.0-APPLICATOR-S-180F250F

TE Part # 2-2266226-2
OCEAN-2.0-APPLICATOR-S-180F250OV

TE Part # 2151284-2
OCEAN-2.0-APPLICATOR-S-180F250F

TE Part # 2266226-2
OCEAN-2.0-APPLICATOR-S-180F250OV

TE Part # 7-2151284-2
OCEAN-2.0-APPLICATOR-S-180F250F

KIT
REPRESENTATION ONLY

TE Part # 7-2151284-7
OCEAN_2.0_SPARE_PART_KIT-180F250F

TE Part # 7-2266226-2
OCEAN-2.0-APPLICATOR-S-180F250OV

KIT
REPRESENTATION ONLY

TE Part # 7-2266226-7
OCEAN_2.0_SPARE_PART_KIT-180F250OV

Also in the Series | Maxi Power Timer

Automotive Housings(13)

Automotive Terminals(8)

Insertion & Extraction Tools(2)

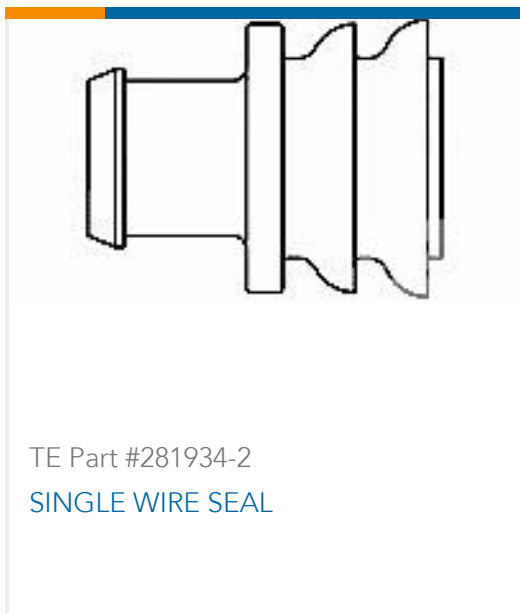
Customers Also Bought

TE Part #DT04-2P
DEUTSCH DT Series Housings & Connectors

TE Part #W2S
DEUTSCH DT WEDGELOCKS

TE Part #282104-1
AMP SUPERSEAL 1.5MM, CONNECTOR HOUSING

TE Part #206070-8
CABLE CLAMP KIT #17



Documents

Product Drawings

MAXI-POW-TIM GAP0,8

German

CAD Files

3D PDF

3D

Customer View Model

[ENG_CVM_CVM_967228-1_C.2d_dxf.zip](#)

English

Customer View Model

[ENG_CVM_CVM_967228-1_C.3d_igs.zip](#)

English

Customer View Model

[ENG_CVM_CVM_967228-1_C.3d_stp.zip](#)

English

By downloading the CAD file I accept and agree to the [Terms and Conditions](#) of use.

Datasheets & Catalog Pages

Timer Interconnection System

English

Product Specifications

Application Specification

German

Application Specification

English

Application Specification

English