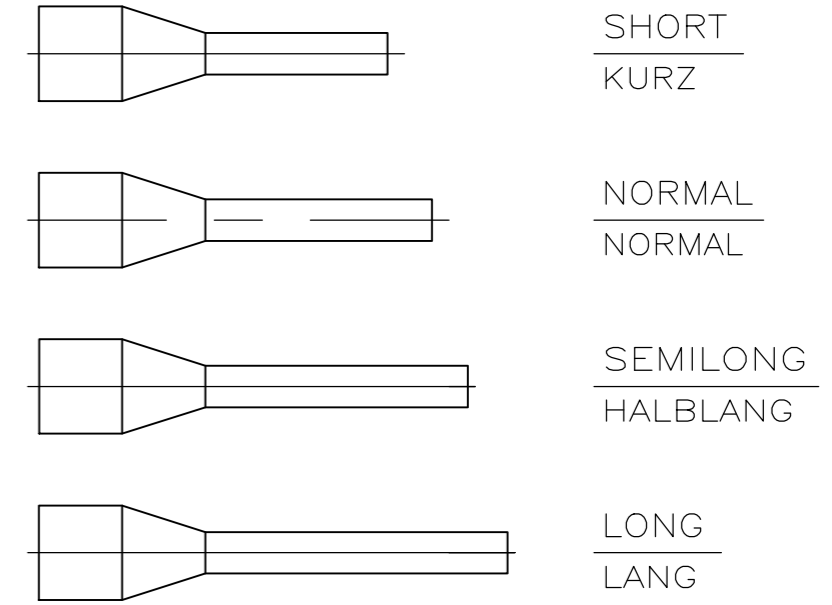
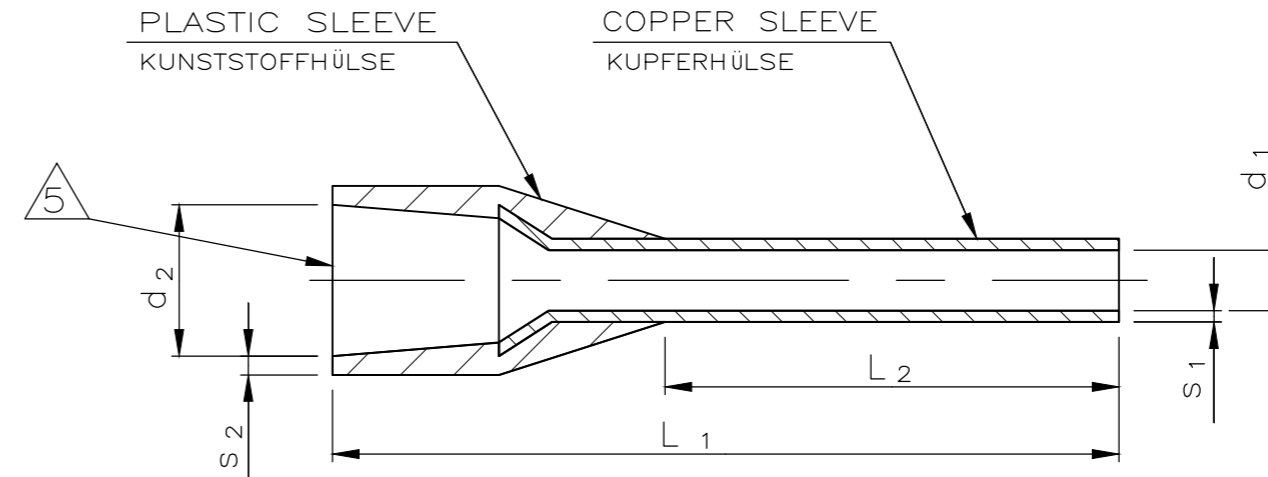


THIS DRAWING IS UNPUBLISHED.
 VERTRAULICHE UNVERÖFFENTLICHTE ZEICHNUNG
 © COPYRIGHT - By -
 RELEASED FOR PUBLICATION
 FREI FUER VERÖFFENTLICHUNG
 ALL RIGHTS RESERVED.
 ALLE RECHTE VORBEHALTEN

REVISIONS ÄNDERUNGEN					
P	LTR	DESCRIPTION BESCHREIBUNG	DATE	DWN	APVD
	A3	REVISED PER ECO-10-002990	28JAN10	KK	HMR
	A4	ECR-10-026307	20JAN11	KK	HMR
	A5	OBSOLETE 966292-7, 1-1, 1-2, 1-9, 2-2, 3-2	21FEB2018	SH	GN

PROJECT NO.:
E92-52625

ORDER NO. BESTELL-NR.	CROSS-SECTION QUERSCHNITT		STRIP LENGTH ABISOLIER-LÄNGE /mm	TYPE AUSFUHRUNG	COLOUR FARBE	L ₁ /mm	L ₂ /mm	d ₁ /mm	s ₁ /mm	d ₂ /mm	s ₂ /mm	PACKING UNIT VERPACKUNGS-EINHEIT PIECES PER BAG STÜCK PRO BEUTEL	
	mm ²	AWG											
966 292-1	0.14	26	8	NORMAL	BROWN	10 ±1.5	6 ±0.4	0.7 +0.14	0.15 ±0.05	1.6 ±0.2	0.25 ±0.10	500	
966 292-2	0.14	26	8	LONG	BROWN	12 ±1.5	8 ±0.4	0.7 +0.14	0.15 ±0.05	1.6 ±0.2	0.25 ±0.10	500	
966 292-3	0.25	23	10	NORMAL	YELLOW	10 ±1.5	6 ±0.4	0.75 +0.14	0.15 ±0.05	1.8 ±0.2	0.25 ±0.10	500	OBSOLETE
966 292-4	0.25	23	10	LONG	YELLOW	12 ±1.5	8 ±0.4	0.75 +0.14	0.15 ±0.05	1.8 ±0.2	0.25 ±0.10	500	OBSOLETE
966 292-5	0.34	22	8	NORMAL	GREEN	10 ±1.5	6 ±0.4	0.8 +0.14	0.15 ±0.05	2.0 ±0.2	0.25 ±0.10	500	OBSOLETE
966 292-6	0.34	22	10	LONG	GREEN	12 ±1.5	8 ±0.4	0.8 +0.14	0.15 ±0.05	2.0 ±0.2	0.25 ±0.10	500	OBSOLETE
966 292-7	0.50	20	8	SHORT	WHITE	12 ±1.5	6 ±0.4	1.0 +0.14	0.15 ±0.05	2.6 ±0.2	0.25 ±0.10	500	OBSOLETE
966 292-8	0.50	20	10	NORMAL	WHITE	14 ±1.5	8 ±0.4	1.0 +0.14	0.15 ±0.05	2.6 ±0.2	0.25 ±0.10	500	OBSOLETE
966 292-9	0.50	20	12	SEMILONG	WHITE	16 ±1.5	10 ±0.4	1.0 +0.14	0.15 ±0.05	2.6 ±0.2	0.25 ±0.10	500	
1-966 292-0	0.75	18	8	SHORT	BLUE	12 ±1.5	6 ±0.4	1.2 +0.14	0.15 ±0.05	2.8 ±0.2	0.25 ±0.10	500	OBSOLETE
1-966 292-1	0.75	18	10	NORMAL	BLUE	14 ±1.5	8 ±0.4	1.2 +0.14	0.15 ±0.05	2.8 ±0.2	0.25 ±0.10	500	OBSOLETE
1-966 292-2	0.75	18	12	SEMILONG	BLUE	16 ±1.5	10 ±0.4	1.2 +0.14	0.15 ±0.05	2.8 ±0.2	0.25 ±0.10	500	OBSOLETE
1-966 292-3	0.75	18	14	LONG	BLUE	18 ±1.5	12 ±0.6	1.2 +0.14	0.15 ±0.05	2.8 ±0.2	0.25 ±0.10	500	OBSOLETE
1-966 292-4	1.00	17	8	SHORT	RED	12 ±1.5	6 ±0.4	1.4 +0.14	0.15 ±0.05	3.0 ±0.2	0.25 ±0.10	500	OBSOLETE
1-966 292-5	1.00	17	10	NORMAL	RED	14 ±1.5	8 ±0.4	1.4 +0.14	0.15 ±0.05	3.0 ±0.2	0.25 ±0.10	500	
1-966 292-6	1.00	17	12	SEMILONG	RED	16 ±1.5	10 ±0.4	1.4 +0.14	0.15 ±0.05	3.0 ±0.2	0.25 ±0.10	500	
1-966 292-7	1.00	17	14	LONG	RED	18 ±1.5	12 ±0.6	1.4 +0.14	0.15 ±0.05	3.0 ±0.2	0.25 ±0.10	500	OBSOLETE
1-966 292-8	1.50	16	10	NORMAL	BLACK	14 ±1.5	8 ±0.4	1.7 +0.25	0.15 ±0.05	3.5 ±0.2	0.25 ±0.10	500	OBSOLETE
1-966 292-9	1.50	16	12	SEMILONG	BLACK	16 ±1.5	10 ±0.4	1.7 +0.25	0.15 ±0.05	3.5 ±0.2	0.25 ±0.10	500	OBSOLETE
2-966 292-0	1.50	16	20	LONG	BLACK	24 ±2.0	18 ±0.6	1.7 +0.25	0.15 ±0.05	3.5 ±0.2	0.25 ±0.10	500	OBSOLETE
2-966 292-1	2.50	14	10	NORMAL	GREY	14 ±1.5	8 ±0.4	2.2 +0.25	0.15 ±0.05	4.2 ±0.2	0.25 ±0.10	500	OBSOLETE
2-966 292-2	2.50	14	14	SEMILONG	GREY	18 ±1.5	12 ±0.6	2.2 +0.25	0.15 ±0.05	4.2 ±0.2	0.25 ±0.10	500	OBSOLETE
2-966 292-3	2.50	14	20	LONG	GREY	24 ±2.0	18 ±0.6	2.2 +0.25	0.15 ±0.05	4.2 ±0.2	0.25 ±0.10	500	OBSOLETE
2-966 292-4	4.00	11	11	NORMAL	ORANGE	17 ±1.5	10 ±0.4	2.8 +0.25	0.20 ±0.05	4.8 ±0.4	0.30 ±0.10	500	
2-966 292-5	4.00	11	14	SEMILONG	ORANGE	20 ±1.5	12 ±0.6	2.8 +0.25	0.20 ±0.05	4.8 ±0.4	0.30 ±0.10	500	OBSOLETE
2-966 292-6	4.00	11	20	LONG	ORANGE	26 ±2.0	18 ±0.6	2.8 +0.25	0.20 ±0.05	4.8 ±0.4	0.30 ±0.10	500	
2-966 292-7	6.00	10	14	NORMAL	GREEN	20 ±1.5	12 ±0.6	3.5 +0.30	0.20 ±0.05	6.3 ±0.4	0.30 ±0.10	100	
2-966 292-8	6.00	10	20	LONG	GREEN	26 ±2.0	18 ±0.6	3.5 +0.30	0.20 ±0.05	6.3 ±0.4	0.30 ±0.10	100	OBSOLETE
2-966 292-9	10.00	7	15	NORMAL	BROWN	22 ±2.0	12 ±0.6	4.5 +0.30	0.20 ±0.05	7.6 ±0.4	0.40 ±0.15	100	
3-966 292-0	10.00	7	21	LONG	BROWN	28 ±2.0	18 ±0.6	4.5 +0.30	0.20 ±0.05	7.6 ±0.4	0.40 ±0.15	100	
3-966 292-1	16.00	6	15	NORMAL	IVORY	24 ±2.0	12 ±0.6	5.8 +0.30	0.20 ±0.05	8.8 ±0.4	0.40 ±0.15	100	
3-966 292-2	16.00	6	21	LONG	IVORY	28 ±2.0	18 ±0.6	5.8 +0.30	0.20 ±0.05	8.8 ±0.4	0.40 ±0.15	100	OBSOLETE
3-966 292-3	25.00	3	19	NORMAL	BLACK	30 ±2.0	16 ±0.6	7.3 +0.40	0.20 ±0.05	11.2 ±0.5	0.40 ±0.15	50	
3-966 292-4	25.00	3	25	LONG	BLACK	36 ±2.0	22 ±0.6	7.3 +0.40	0.20 ±0.05	11.2 ±0.5	0.40 ±0.15	50	
3-966 292-5	35.00	2	19	NORMAL	RED	30 ±2.0	16 ±0.6	8.3 +0.40	0.20 ±0.05	12.7 ±0.5	0.40 ±0.15	50	
3-966 292-6	35.00	2	28	LONG	RED	39 ±2.0	25 ±0.6	8.3 +0.40	0.20 ±0.05	12.7 ±0.5	0.40 ±0.15	50	
3-966 292-7	50.00	1	25	NORMAL	BLUE	36 ±2.0	20 ±0.6	10.3 +0.40	0.30 ±0.05	15.0 ±1.0	0.50 ±0.15	50	
3-966 292-8	50.00	1	30	LONG	BLUE	40 ±2.0	25 ±0.6	10.3 +0.40	0.30 ±0.05	15.0 ±1.0	0.50 ±0.15	50	
3-966 292-9	70.00	1	-	NORMAL	YELLOW	37 ±2.0	21 ±1.0	13.5 +0.50	0.40 ±0.10	16.0 ±1.5	0.60 ±0.20	25	OBSOLETE
4-966 292-0	95.00	1	-	NORMAL	RED	44 ±2.0	25 ±1.0	14.7 +0.50	0.40 ±0.10	18.0 ±1.5	0.60 ±0.20	25	OBSOLETE
4-966 292-1	120.00	1	-	NORMAL	BLUE	48 ±2.0	27 ±1.0	16.7 +0.50	0.45 ±0.10	20.0 ±1.5	0.70 ±0.20	25	OBSOLETE
4-966 292-2	150.00	1	-	NORMAL	YELLOW	58 ±2.0	32 ±1.0	19.5 +0.50	0.50 ±0.10	23.0 ±1.5	1.00 ±0.20	25	OBSOLETE



① THE AWG CROSS-SECTION CAN DIFFER SLIGHTLY TO THE DIN-STANDARD CROSS-SECTION VALUES.

② RECOMMENDED STRIP LENGTH

③ TUBULAR END-SLEEVES PACKED INTO PLASTIC BAG

④ COLOUR TYPE 1: COLOURS PER TELEMECANIQUE STANDARD

⑤ MAX.INSULATION DIA. OF WIRE: d₂ MIN.-0.1

6. USE HAND TOOL 539660-1

⑦ OBSOLETE PARTS: OBSOLETE CIS STREAMLINING PER

D.RENAUD/D.SINISI

① DER AWG-QUERSCHNITT KANN VON DEN DIN-NORM QUERSCHNITTSWERTEN GERINGFÜGIG ABWEICHEN.

② EMPFOHLENE ABISOLIERLÄNGE

③ ADERENDHÜLSEN IN PLASTIKBEUTEL VERPACKT

④ FARBREIHE 1: FARBEN NACH TELEMECANIQUE STANDARD

⑤ MAX.ISOLATIONS-Ø DER LEITUNG:d₂ MIN.-0.1

6. BENUTZEN SIE HANDWERKZEUG 539660-1

THIS DRAWING IS A CONTROLLED DOCUMENT. DIESE ZEICHNUNG IST EIN KONTROLLIERTES DOKUMENT.		DWN R.SCHMIDT 10-NOV-93	TE Connectivity	
DIMENSIONS: MASSENHETEN mm		CHK W.BÖCK 15-JUN-94	NAME	
TOLERANCES UNLESS OTHERWISE SPECIFIED: ALLGEMEINTOLERANZEN		APVD G.FELDMEIER 29-NOV-00	TUBULAR END-SLEEVE WITH PLASTIC SLEEVE COLOUR TYPE 1, NOT PER DIN	
0 PLC ± - 1 PLC ± - 2 PLC ± - 3 PLC ± - 4 PLC ± - ANGLES/WINKEL ± -		PRODUCT SPEC PRODUKTSPEZ. -	ADERENDHÜELSE MIT KUNSTSTOFFHÜELSE FARBREIHE 1, NHEHT NACH DIN	
MATERIAL PP/E-Cu		APPLICATION SPEC. VERARBEITUNGSSPEZ. -	SIZE A2	RESTRICTED TO NUR FUER
FINISH/OBERFLÄCHE/FARBE FINISH/OBERFL.: S _n COLOUR: SEE TABLE FARBE: SIEHE TABELLE		WEIGHT GEWICHT	DRAWING NO. ZEICHNUNGS-NR. C=966292	SCALE MASSSTAB
CUSTOMER DRAWING /KUNDENZEICHNUNG		SHEET BLATT	1 OF 1	REV A5