

4

3

2

1

THIS DRAWING IS UNPUBLISHED.

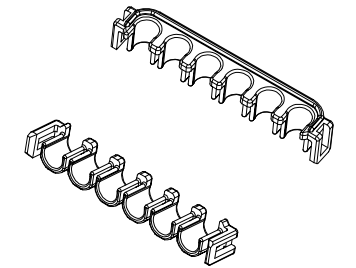
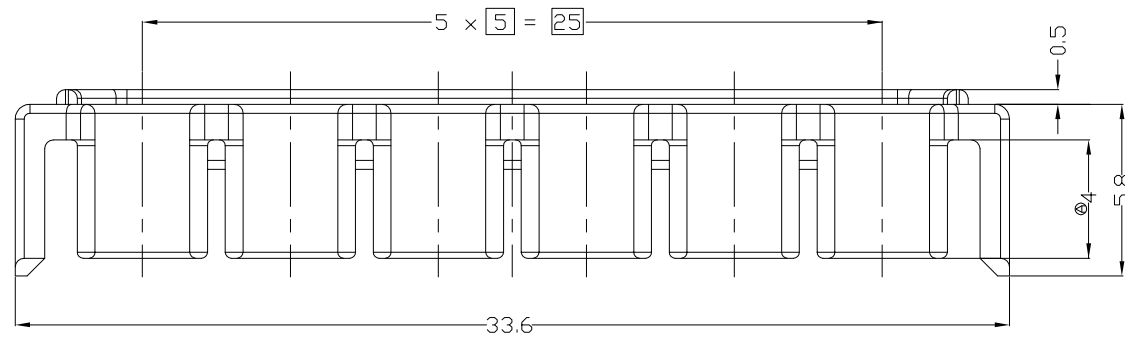
RELEASED FOR PUBLICATION

© COPYRIGHT

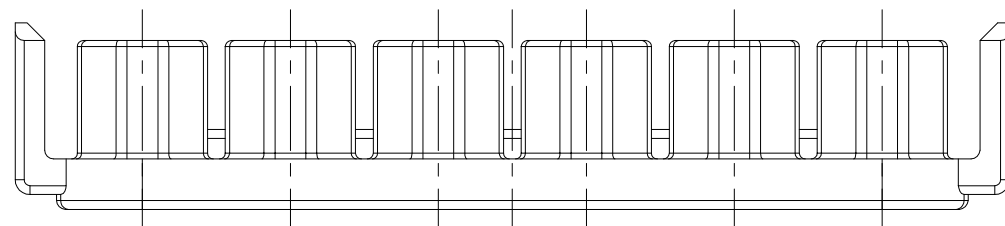
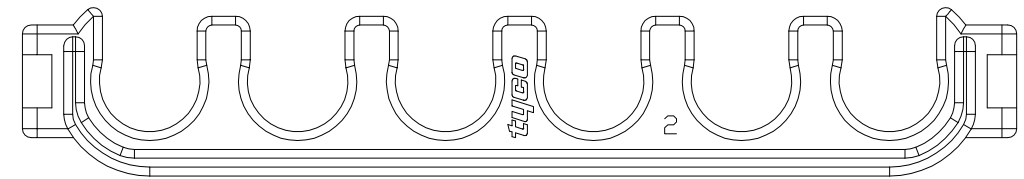
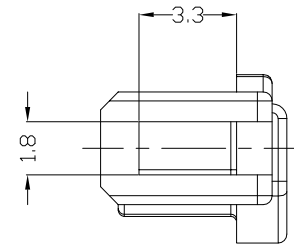
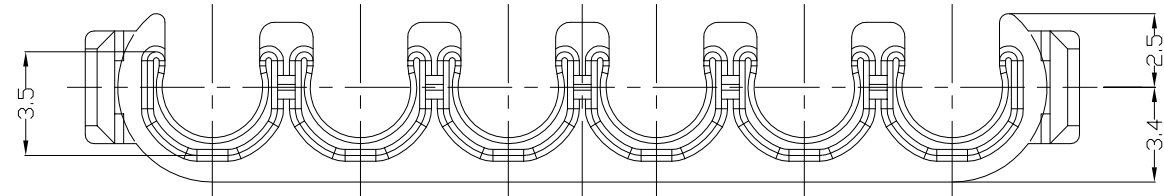
BY TYCO ELECTRONICS CORPORATION. ALL RIGHTS RESERVED.

REVISIONS

P	LTR	DESCRIPTION	DATE	DWN	APVD
	□	RELEASED (FC00-0149-03)	31, OCT, '03	MS	CS
	A	RELEASED (FC00-0027-04)	13, FEB, '04	MS	CS
	B	REVISED (ECR-15-010973)	23, JUL, '15	JM	HG



3-D VIEW
(SCALE 1/1)



ⓑ	GRAY	PBT	0-936397-3
ⓑ	BLACK	PBT	0-936397-2
	YELLOW	PBT	0-936397-5
	COLOR	MATERIAL	PART NO.

NOTE;

1. GENERAL TOLERANCES : ±0.3, ±3°.
2. 0.15 MAX. WARPAGE AND 0.2 MAX. FLASH ARE PERMISSIBLE
3. APPLICABLE CONN'R PART NO. : 936394

THIS DRAWING IS A CONTROLLED DOCUMENT FOR TYCO ELECTRONICS CORPORATION IT IS SUBJECT TO CHANGE AND THE CONTROLLING ENGINEERING ORGANIZATION SHOULD BE CONTACTED FOR THE LATEST REVISION.

DIMENSIONS: MM		TOLERANCES UNLESS OTHERWISE SPECIFIED:		DWN JM JEON			
3rd ANGLE PROJECTION		0 PLC ± 1 PLC ± 2 PLC ± 3 PLC ± 4 PLC ± ANGLES ±		CHK JW JUNG			
MATERIAL		FINISH		APVD HG CHO		DBL HSG FOR 2.8mm SEALED 6P PLUG CONN'R	
SEE TABLE				PRODUCT SPEC		SIZE	
				APPLICATION SPEC		CAGE CODE	
				WEIGHT		DRAWING NO	
				CUSTOMER DRAWING		RESTRICTED TO	
						SCALE 5/1	
						SHEET 1 OF 1	
						REV B	