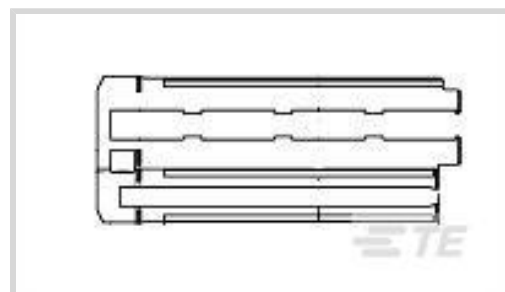




Connectors > Automotive Connectors > Connector Accessories > Locks & Position Assurance



Connector & Contact Retention Accessory Type: **TPA (Terminal Position Assurance)**

Primary Product Color: **Orange**

Connector System: **Wire-to-Board, Wire-to-Wire**

Primary Product Material: **PA GF**

Operating Temperature Range: **-40 – 100 °C [ -40 – 212 °F ]**

## Features

### Product Type Features

Connector & Contact Retention Accessory Type	TPA (Terminal Position Assurance)
Connector System	Wire-to-Board, Wire-to-Wire

### Body Features

Primary Product Color	Orange
Primary Product Material	PA GF

### Usage Conditions

Operating Temperature Range	-40 – 100 °C [ -40 – 212 °F ]
-----------------------------	-------------------------------

### Packaging Features

Packaging Method	Box
------------------	-----

### Other

Serviceable	Yes
-------------	-----

## Product Compliance

[For compliance documentation, visit the product page on TE.com>](#)

EU RoHS Directive 2011/65/EU	Compliant
EU ELV Directive 2000/53/EC	Compliant
China RoHS 2 Directive MIIT Order No 32, 2016	No Restricted Materials Above Threshold
EU REACH Regulation (EC) No. 1907/2006	Current ECHA Candidate List: JUNE 2022 (224)

Candidate List Declared Against: JAN 2019  
(197)  
SVHC > Threshold:  
Not Yet Reviewed

Halogen Content

Not Yet Reviewed for halogen content

Solder Process Capability

Not reviewed for solder process capability

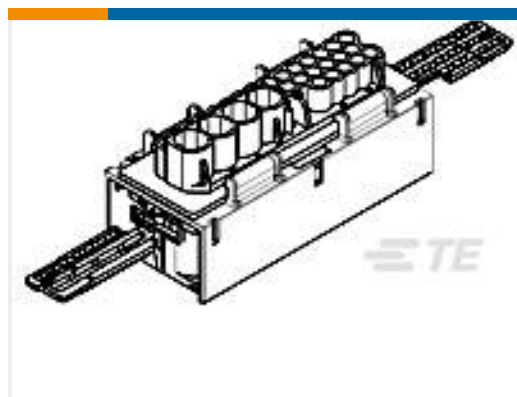
Product Compliance Disclaimer

This information is provided based on reasonable inquiry of our suppliers and represents our current actual knowledge based on the information they provided. This information is subject to change. The part numbers that TE has identified as EU RoHS compliant have a maximum concentration of 0.1% by weight in homogenous materials for lead, hexavalent chromium, mercury, PBB, PBDE, DBP, BBP, DEHP, DIBP, and 0.01% for cadmium, or qualify for an exemption to these limits as defined in the Annexes of Directive 2011/65/EU (RoHS2). Finished electrical and electronic equipment products will be CE marked as required by Directive 2011/65/EU. Components may not be CE marked. Additionally, the part numbers that TE has identified as EU ELV compliant have a maximum concentration of 0.1% by weight in homogenous materials for lead, hexavalent chromium, and mercury, and 0.01% for cadmium, or qualify for an exemption to these limits as defined in the Annexes of Directive 2000/53/EC (ELV). Regarding the REACH Regulation, the information TE provides on SVHC in articles for this part number is based on the latest European Chemicals Agency (ECHA) 'Guidance on requirements for substances in articles' posted at this URL: <https://echa.europa.eu/guidance-documents/guidance-on-reach>

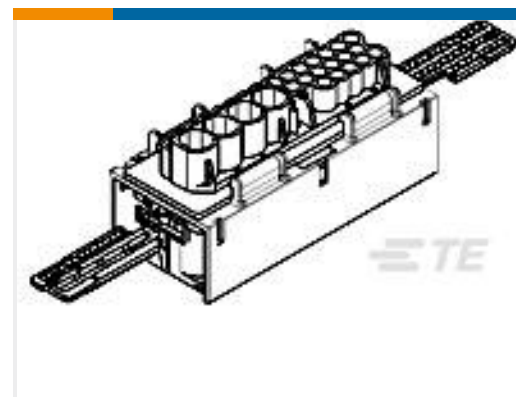
## Compatible Parts



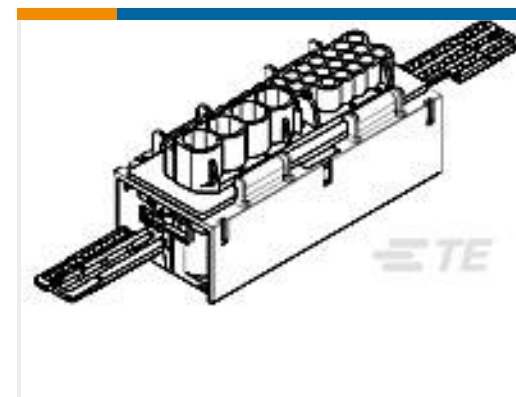
TE Part # CAT-T4827-CH8172  
TIMER, CONNECTOR HOUSING



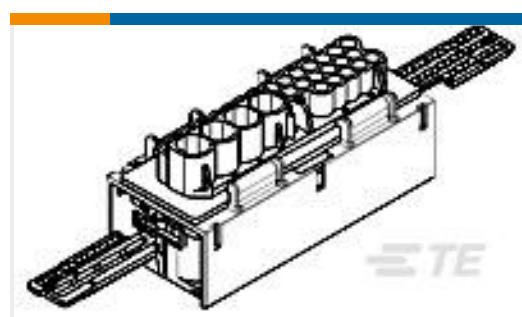
TE Part # 953041-1  
21W HYB TIMER CONN ASSY



TE Part # 953042-2  
31W HYB TIMER CONN ASSY



TE Part # 953042-3  
31W HYB TIMER CONN ASSY



TE Part # 953042-6  
31W HYB TIMER CONN ASSY

Also in the Series | [Micro Timer II](#)



Automotive Connector Caps & Covers (2)



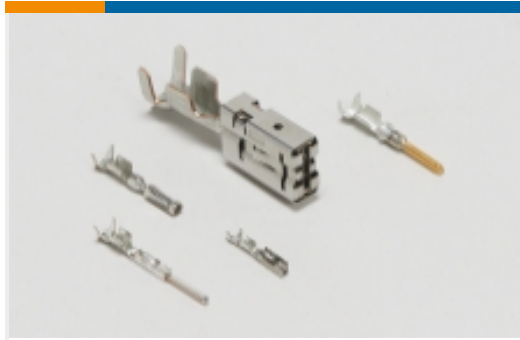
Automotive Connector Locks & Position Assurance(1)



Automotive Housings(29)



Automotive Seals & Cavity Plugs(1)



Automotive Terminals(29)



Insertion & Extraction Tools(4)

## Customers Also Bought



TE Part #206838-4  
CPC RECPT SEALED SIZE 23-24



TE Part #K1010834  
Relay 29-211-11



TE Part #1-794616-4  
FREE HANG DBL ROW HSG 14 POS



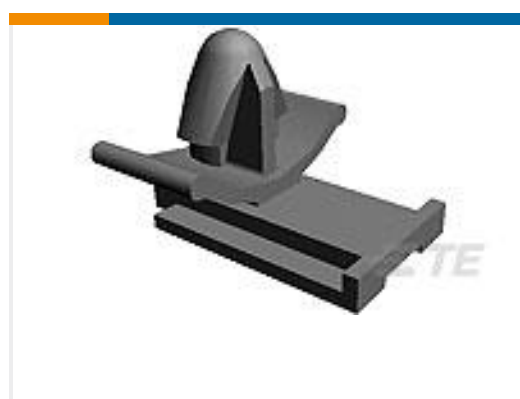
TE Part #968037-2  
SPT A REC 6.3 Contact SWS Sn



TE Part #1-2141847-2  
CARRIER,RECEPTALE HSG, 36POS, ASSY



TE Part #2278730-1  
3P CAN CONNECTOR, RECEPTACLE



TE Part #85229-1  
CLIP HSG FOR 070 (EJ MK-II)



TE Part #1-2141859-1  
AMP MCP 2.8, CONTACT



TE Part #2306960-1  
3POS,AMP MCP 1.5K,REC HSG ASSY, SLD,COD A



TE Part #690432-3  
ADJUSTMENT SCREW

## Documents

### Product Drawings

#### MT/SPT SEC LOCK 31W CONN

English

---

### CAD Files

#### 3D PDF

English

#### Customer View Model

[ENG\\_CVM\\_953048-1\\_D.2d\\_dxf.zip](#)

English

#### Customer View Model

[ENG\\_CVM\\_953048-1\\_D.3d\\_igs.zip](#)

English

#### Customer View Model

[ENG\\_CVM\\_953048-1\\_D.3d\\_stp.zip](#)

English

By downloading the CAD file I accept and agree to the [Terms and Conditions](#) of use.

---

### Product Specifications

#### CONNECTEUR 31 VOIES ABS POUR CONTACT MICRO-TIMER II ET STANDARD-POWER-TIMER

English

#### Product Specification

English

---

### Instruction Sheets

#### Instruction Sheet (non U.S.)

French