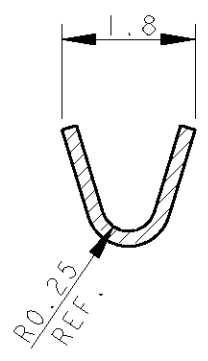


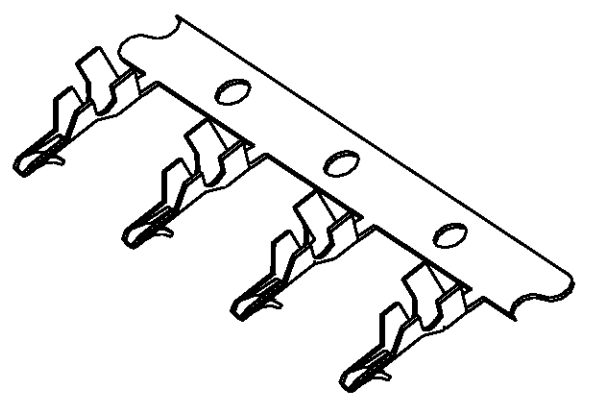
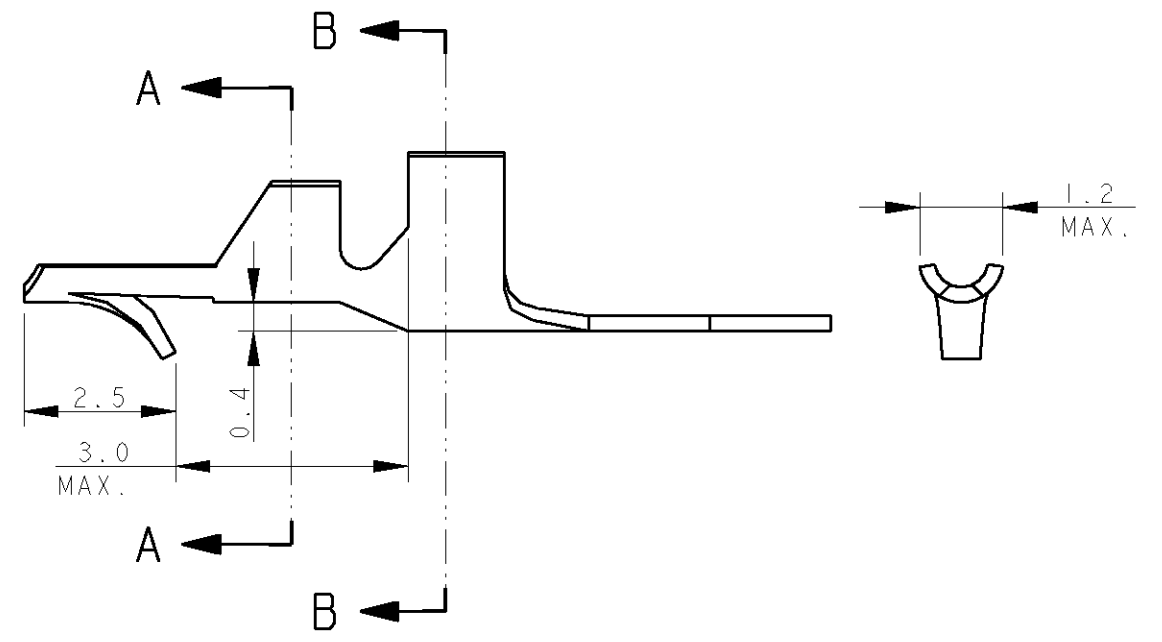
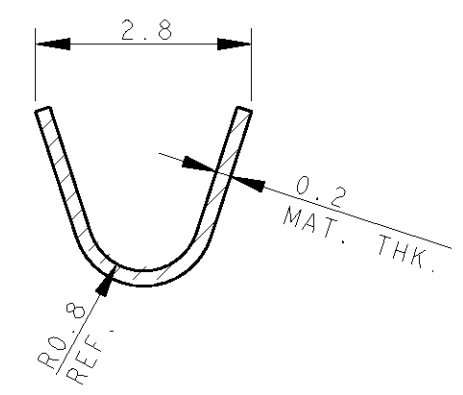
THIS DRAWING IS UNPUBLISHED. RELEASED FOR PUBLICATION
 © COPYRIGHT ALL RIGHTS RESERVED.

LOC	DIST	REVISIONS			
P	LTR	DESCRIPTION	DATE	DWN	APVD
		S2 REVISED PER ECO-11-005140	31MAR11	RK	HMR

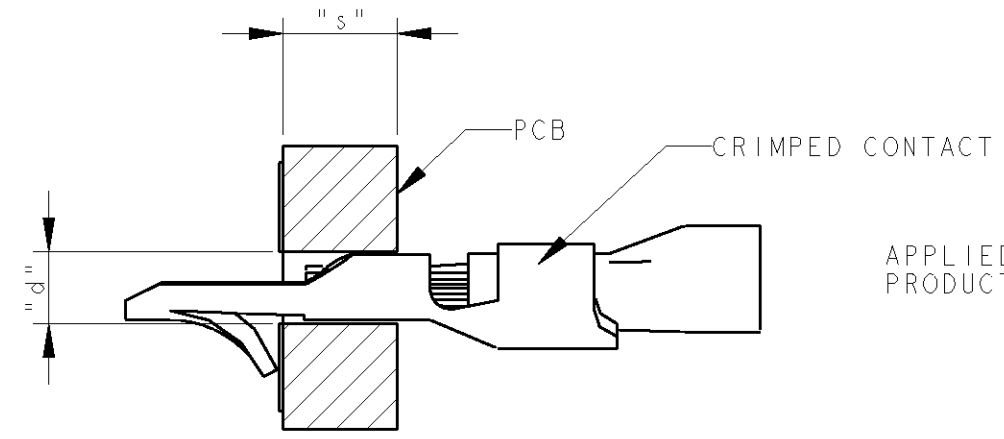
SECTION A-A



SECTION B-B



SCALE 3:1



APPLIED PRODUCT ILLUSTRATION

STATO DI FORNITURA (SUPPLY CONDITION)

SENSO DI USCITA DEL CONTATTO DALLA BOBINA (DIRECTION OFF TOP OF REEL)	
	ALETTE DI AGGRAFFATURA RIVOLTE VERSO L'ALTO ("U"ing UP) P/N 0-925819-3
	ALETTE DI AGGRAFFATURA RIVOLTE VERSO IL BASSO ("U"ing DOWN) P/N 0-925819-4

26-22	1.3+0.15 1.2+0.15	1.5 1.5 & 2	654079-2	NOTE	STAGNATO CON SOTTOSTRATO DI NICHEL (TIN OVER NICKEL)	OTTONE (BRASS)	0-925819-4 0-925819-3	S S
WIRE RANGE [AWG]	HOLE DIA. "d" [mm]	PCB THK. "s" [mm]	LOG No.		FINITURA/COLORE (FINISH/COLOUR)	MATERIALE (MATERIAL)	TE CONNECTIVITY PART NUMBER	REV

DIMS: mm		TOLERANCES UNLESS OTHERWISE SPECIFIED:		DWN H. YAALI 03JUL2003	TE Connectivity MINI AMP-IN CONTACT (STRIP FORM)			
		0 PLC ± -	1 PLC ± 0.3	CHK C. TARTARI				
MATERIAL AS TABLE		FINISH AS TABLE		APVD -	NAME			
				PRODUCT SPEC -	SIZE			
				APPLICATION SPEC -	CAGE CODE			
				WEIGHT -	DRAWING NO			
				CUSTOMER DRAWING	RESTRICTED TO			
					SCALE 10:1			
					SHEET OF			
					REV S2			

2) SPELLATURA 2.4±0.2 (STRIP LENGTH 2.4±0.2)