



Terminals & Splices > Automotive Terminals > TIMER, RECEPTACLE AND TAB



Terminal Type: **Receptacle**

Mating Tab Width: **5.8 mm, 6.3 mm** [.228 in, .248 in]

Mating Tab Thickness: **.8 mm** [.031 in]

Terminal Transmits: **25 – 40 A (Power)**

Wire Size: **17 – 13 AWG**

[All TIMER, RECEPTACLE AND TAB \(344\)](#)

## Features

### Product Type Features

Receptacle Style	180°
Sealable	No
Primary Locking Feature	Locking Lance

### Contact Features

Contact Size	6.3mm
Contact Fabrication	Stamped & Formed
Typical Current Rating	40 A
Crimp Type	F-Crimp
Terminal Type	Receptacle
Mating Tab Width	5.8 mm, 6.3 mm [.228 in][.248 in]
Mating Tab Thickness	.8 mm [.031 in]
Interface Plating	Silver (Ag)

### Termination Features

Termination Method to Wire & Cable	Crimp
Product Terminates To	Wire

### Dimensions

Wire Size	1 – 2.5 mm <sup>2</sup>
-----------	-------------------------



Wire Size Search	13 AWG, 14 AWG, 15 AWG, 16 AWG, 17 AWG
------------------	--

Wire Insulation Diameter	1.9 – 3 mm [.087 – .118 in]
--------------------------	-----------------------------

### Usage Conditions

Insulation Option	Uninsulated
-------------------	-------------

Operating Temperature (Max)	80 °C, 85 °C, 90 °C, 100 °C, 105 °C, 110 °C, 120 °C, 125 °C, 130 °C, 140 °C [176 °F][185 °F][194 °F][212 °F][221 °F][230 °F][248 °F][257 °F][266 °F][284 °F]
-----------------------------	--

Operating Temperature Range	-40 – 140 °C [-40 – 284 °F]
-----------------------------	-----------------------------

### Operation/Application

Compatible With Wire Base Material	Copper
------------------------------------	--------

### Industry Standards

Agency/Standard	IEC 664/664A (DIN VDE 0110)
-----------------	-----------------------------

### Packaging Features

Packaging Method	Reel
------------------	------

Packaging Quantity	2300
--------------------	------

### Other

Terminal Transmits	25 – 40 A (Power)
--------------------	-------------------

## Product Compliance

[For compliance documentation, visit the product page on TE.com>](#)

EU RoHS Directive 2011/65/EU	Compliant
------------------------------	-----------

EU ELV Directive 2000/53/EC	Compliant
-----------------------------	-----------

China RoHS 2 Directive MIIT Order No 32, 2016	No Restricted Materials Above Threshold
---	---

EU REACH Regulation (EC) No. 1907/2006	Current ECHA Candidate List: JUNE 2022 (224) Candidate List Declared Against: JAN 2022 (223) SVHC > Threshold: Not Yet Reviewed
--	--

Halogen Content	Low Halogen - Br, Cl, F, I < 900 ppm per homogenous material. Also BFR/CFR/PVC Free
-----------------	---

Solder Process Capability	Not applicable for solder process capability
---------------------------	--

Product Compliance Disclaimer

This information is provided based on reasonable inquiry of our suppliers and represents our current actual knowledge based on the information they provided. This information is subject to change. The part numbers that TE has identified as EU RoHS compliant have a maximum concentration of 0.1% by weight in homogenous materials for lead, hexavalent chromium, mercury, PBB, PBDE, DBP, BBP, DEHP, DIBP, and 0.01% for cadmium, or qualify for an exemption to these limits as defined in the Annexes of Directive 2011/65/EU (RoHS2). Finished electrical and electronic equipment products will be CE marked as required by Directive 2011/65/EU. Components may not be CE marked. Additionally, the part numbers that TE has identified as EU ELV compliant have a maximum concentration of 0.1% by weight in homogenous materials for lead, hexavalent chromium, and mercury, and 0.01% for cadmium, or qualify for an exemption to these limits as defined in the Annexes of Directive 2000/53/EC (ELV). Regarding the REACH Regulation, the information TE provides on SVHC in articles for this part number is based on the latest European Chemicals Agency (ECHA) 'Guidance on requirements for substances in articles' posted at this URL: <https://echa.europa.eu/guidance-documents/guidance-on-reach>

## Compatible Parts



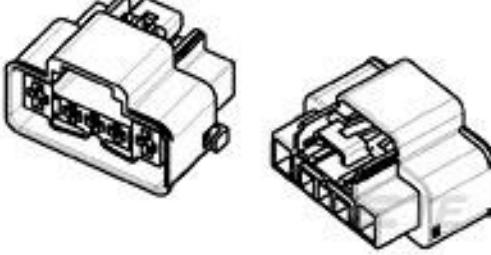
TE Part # 4-1579007-3  
EXTRACTION TOOL KIT



TE Part # 1-1579007-6  
EXTRACTION TOOL



TE Part # 2305570-1  
TERMINAL CUTTER, SIDE FEED



TE Part # 1599317-1  
HSG ASSY 5P REC JPT/SPT HYBRID



TE Part # 2-2151059-1  
OCEAN\_2.0\_APPLICATOR-S-110F140OV



TE Part # 2-2151059-2  
OCEAN\_2.0\_APPLICATOR-S-110F140OV



TE Part # 2151059-1  
OCEAN\_2.0\_APPLICATOR-S-110F140OV



TE Part # 2151059-2  
OCEAN\_2.0\_APPLICATOR-S-110F140OV



TE Part # 2836684-1  
APPLICATOR TO MAKE LOOSE PIECE TERMINAL




TE Part # 7-2151059-1  
OCEAN\_2.0\_APPLICATOR-S-110F140OV



TE Part # 7-2151059-2  
OCEAN\_2.0\_APPLICATOR-S-110F140OV



TE Part # 7-2151059-7  
OCEAN\_2.0\_SPARE\_PART\_KIT-110F140OV



TE Part # 7-2836684-7  
TOOLING KIT TO MAKE LOOSE PIECE TERMINAL

## Also in the Series | Standard Power Timer



Automotive Housings(31)



Automotive Terminals(54)



Busbars & Terminals(3)



Insertion & Extraction Tools(1)



Module Components(6)

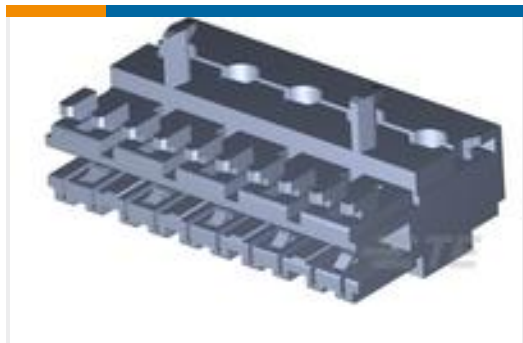
## Customers Also Bought



TE Part #9-1241961-2  
STD TIM HOUSING MKII 2POS



TE Part #4-284866-6  
DUOPLUG 2.5 6P,SIDE LOCK, SEL. LOADED



TE Part #1534415-5  
DUOPL POW FEM CON5P



TE Part #1-282042-5  
AMP MONO-SHAPE P.C.B.CONN2P. GL



TE Part #2-1415521-1  
RFH54012WG



TE Part #293143-3  
AMP MONO-SHAPE TAB CONN 7P. LIF



TE Part #4-282003-1  
MONO-SHAPE TAB CONN 3P. ASSY



TE Part #3-282002-5  
AMP MONO-SHAPE TAB CONN 2P.

## Documents

### Product Drawings

[SPT REC 6.3 Contact SRC Ag](#)

English

### CAD Files

[Customer View Model](#)

[ENG\\_CVM\\_CVM\\_927837-4\\_D.2d\\_dxf.zip](#)



English

[3D PDF](#)

3D

Customer View Model

[ENG\\_CVM\\_CVM\\_927837-4\\_D.3d\\_igs.zip](#)

English

Customer View Model

[ENG\\_CVM\\_CVM\\_927837-4\\_D.3d\\_stp.zip](#)

English

By downloading the CAD file I accept and agree to the [Terms and Conditions](#) of use.

---

### Datasheets & Catalog Pages

[POWER\\_CONNECTORS\\_CATALOG\\_SEC02\\_CABLE\\_MOUNTED](#)

English

Timer Interconnection System

English

---

### Product Specifications

[Application Specification](#)

German

[Application Specification](#)

English

[Application Specification](#)

English

---

### Product Environmental Compliance

[MD\\_927837-4\\_07212014026\\_dmtec](#)

English

[MD\\_927837-4\\_07212014026\\_dmtec](#)

English