

FEATURES AND SPECIFICATIONS

Features and Benefits

- Sizes 2 to 12 circuits
- Other plating options available

Reference Information

Packaging: Bag
 UL File No.: E29179
 CSA File No.: LR19980
 Mates With: 5195-N, 5239-N and 5145-NAH/NCH housings
 Designed In: Millimeters

Electrical

Voltage: 250V
 Current: 7.0A
 Contact Resistance: 10mΩ max.
 Dielectric Withstanding Voltage: 1500V AC/1 min.
 Insulation Resistance: 1000 MΩ min.

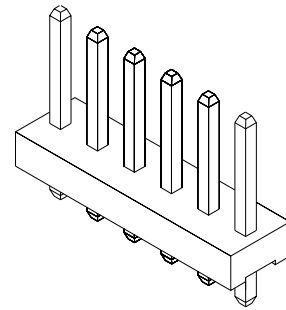
Physical

Housing: 6/6 nylon, UL 94V-2
 Contact: Brass, 1.14mm (.045") square
 Plating: Tin
 Operating Temperature: -40 to +105°C

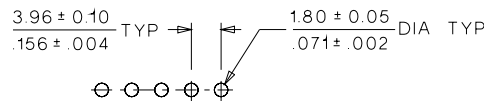
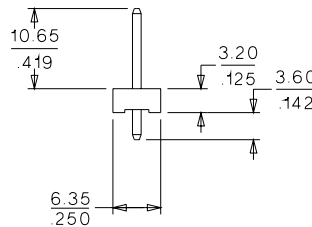
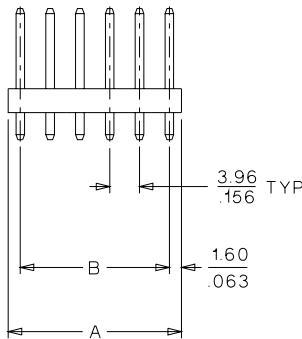
molex® 3.96mm (.156") Pitch Header

5271-NA

Vertical



CATALOG DRAWING (FOR REFERENCE ONLY)



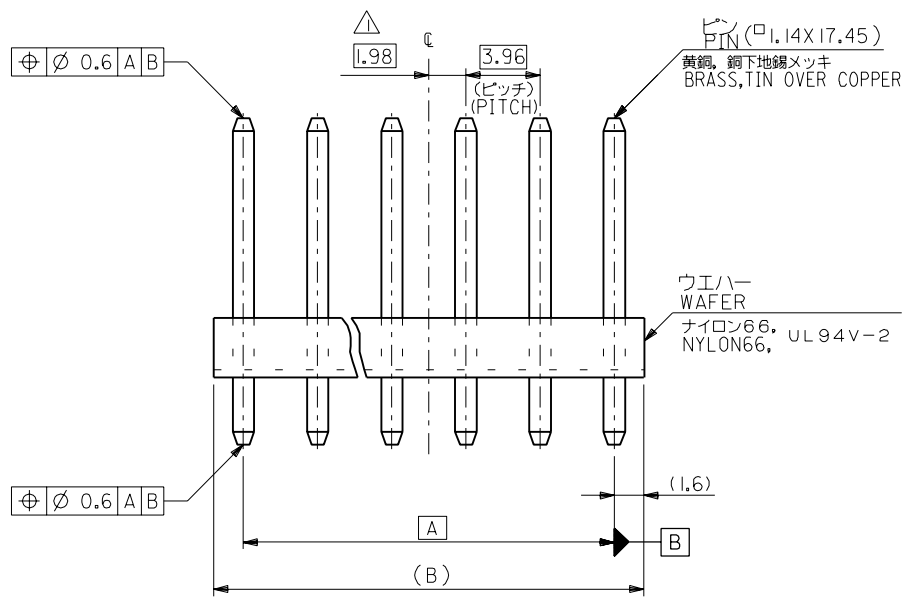
PCB LAYOUT: COMPONENT SIDE

RECOMMENDED PCB THICKNESS: $\frac{1.60 \pm 0.10}{.063 \pm .004}$

ORDERING INFORMATION AND DIMENSIONS

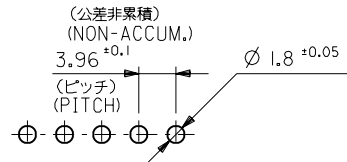
Circuits	Order No.	Dimension	
		A	B
2	09-67-4021	7.16 (.282)	3.96 (.156)
3	09-67-4031	11.12 (.437)	7.92 (.312)
4	09-67-4041	15.08 (.593)	11.88 (.467)
5	09-67-4051	19.04 (.749)	15.84 (.623)
6	09-67-4061	23.00 (.906)	19.80 (.779)
7	09-67-4071	26.96 (1.061)	23.76 (.935)
8	09-67-4081	30.92 (1.217)	27.72 (1.091)
9	09-67-4091	34.88 (1.371)	31.68 (1.247)
10	09-67-4101	38.84 (1.529)	35.64 (1.403)
11	09-67-4111	42.80 (1.690)	39.60 (1.559)
12	09-67-4121	46.76 (1.840)	43.56 (1.714)

D
3.00 to 7.92mm (.118 to .312") Pitch



Φ 0.6 A B

Φ 0.6 A B



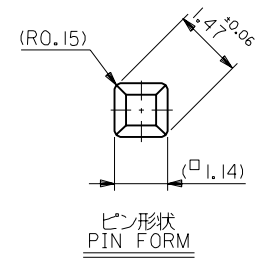
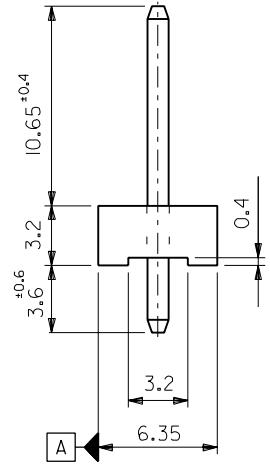
基板取付穴推奨寸法
RECOMMENDED P.C.B.HOLE DIMENSION

PTN (0.14x17.45)
黄銅、銅下地錫メッキ
BRASS, TIN OVER COPPER PLATING

ワエハー
WAFFER
ナイロン66、
NYLON66, UL94V-2

注記
NOTE

△ 全極数が偶数の場合のみ適用。
TO BE APPLIED ONLY WHEN ALL CKTS. ARE EVEN.



ピン形状
PIN FORM

58.64	55.44	09-67-4151	5271-15A	15
54.68	51.48	▲ -4141	▲ -14A	14
50.72	47.52	-4131	-13A	13
46.76	43.56	-4121	-12A	12
42.8	39.6	-4111	-11A	11
38.84	35.64	-4101	-10A	10
34.88	31.68	-4091	-09A	9
30.92	27.72	-4081	-08A	8
26.96	23.76	-4071	-07A	7
23	19.8	-4061	-06A	6
19.04	15.84	-4051	-05A	5
15.08	11.88	-4041	-04A	4
11.12	7.92	▼ -4031	▼ -03A	3
7.16	3.96	09-67-4021	5271-02A	2
B	A	EDP NO.	ENG. NO.	極数 CKT.

角度 ANGLE	±3°				
30以上 OVER	+0.3				
10以上 OVER 30未満 UNDER	+0.25	B	変更 (REVISED)	T.A.	94/10/5
10未満 UNDER	+0.2	A	変更 & 再作図 (REVISED & REDRAWN)	S.M.	93/3/29
一般公差 GENERAL TOLERANCES		記号 LTR	変更内容 REVISION RECORD	DR. CHK.	日付 DATE

材料 MATERIAL	図中参照 SEE DRAWING
仕上げ FINISH	— — —
適用電線範囲 WIRE RANGE	— — —
被覆外径 INS. RANGE	— — —
DRAWN BY 93/3/29 S.MOCHIZUKI	CHK'D BY 94/10/7 Y.M.H.HIRAMOTO
APP'D BY 94/10/7 M.FURUSHIMA	尺度 SCALE — — —

MOLEX-JAPAN CO.,LTD. 日本モレックス株式会社	
REVISE ONLY ON CAD SYSTEM	
TITLE 名称	
KK 3.96 WAFER ASS'Y	
DWG. NO.	REV
SD-5271-NA	B