



Connectors > PCB Connectors > Wire-to-Board Connectors > Wire-to-Board Connector Assemblies & Housings



Connector Product Type: **Housing**

Connector & Housing Type: **Receptacle**

Connector System: **Wire-to-Board**

Number of Positions: **3**

Centerline (Pitch): **2.54 mm [.1 in]**

Features

Product Type Features

| | |
|-----------------------------------|---------------|
| Connector Product Type | Housing |
| Connector & Housing Type | Receptacle |
| Connector System | Wire-to-Board |
| Connector & Contact Terminates To | Wire & Cable |

Configuration Features

| | |
|---------------------|---|
| Number of Positions | 3 |
| Number of Rows | 1 |

Electrical Characteristics

| | |
|-------------------|---------|
| Operating Voltage | 250 VAC |
|-------------------|---------|

Contact Features

| | |
|------------------------------|--------|
| Contact Type | Socket |
| Contact Current Rating (Max) | 3 A |

Termination Features

| | |
|------------------------------------|-------|
| Termination Method to Wire & Cable | Crimp |
|------------------------------------|-------|

Mechanical Attachment

| | |
|-------------------------|----------------------------|
| Strain Relief | With |
| Mating Retention | Without |
| Connector Mounting Type | Cable Mount (Free-Hanging) |



Housing Features

| | |
|-----------------------------|------------------|
| Housing Entry Configuration | Both Ends Closed |
| Housing Material | PBT GF |
| Centerline (Pitch) | 2.54 mm [.1 in] |
| Housing Color | Black |

Dimensions

| | |
|--------------------|-----------------|
| Connector Length | 7.62 mm |
| Connector Height | 14.2 mm |
| Row-to-Row Spacing | 2.54 mm [.1 in] |

Usage Conditions

| | |
|-----------------------------|-----------------------------|
| Operating Temperature Range | -65 – 105 °C [-85 – 221 °F] |
|-----------------------------|-----------------------------|

Operation/Application

| | |
|---------------------|--------|
| Circuit Application | Signal |
|---------------------|--------|

Packaging Features

| | |
|--------------------|------|
| Packaging Quantity | 1000 |
| Packaging Method | Bag |

Product Compliance

[For compliance documentation, visit the product page on TE.com>](#)

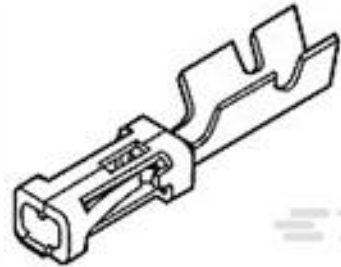
| | |
|---|--|
| EU RoHS Directive 2011/65/EU | Compliant |
| EU ELV Directive 2000/53/EC | Compliant |
| China RoHS 2 Directive MIIT Order No 32, 2016 | No Restricted Materials Above Threshold |
| EU REACH Regulation (EC) No. 1907/2006 | Current ECHA Candidate List: JUNE 2022 (224) Candidate List Declared Against: JAN 2022 (223) SVHC > Threshold: Not Yet Reviewed |
| Halogen Content | Not Low Halogen - contains Br or Cl > 900 ppm. |
| Solder Process Capability | Not applicable for solder process capability |

Product Compliance Disclaimer

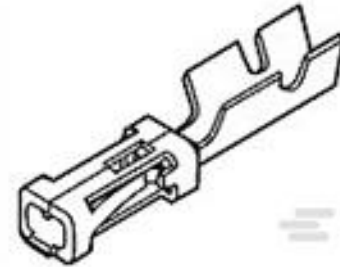
This information is provided based on reasonable inquiry of our suppliers and represents our current actual knowledge based on the information they provided. This information is subject to change. The part numbers that TE has identified as EU RoHS compliant have a maximum concentration of 0.1% by weight in homogenous materials for lead, hexavalent

chromium, mercury, PBB, PBDE, DBP, BBP, DEHP, DIBP, and 0.01% for cadmium, or qualify for an exemption to these limits as defined in the Annexes of Directive 2011/65/EU (RoHS2). Finished electrical and electronic equipment products will be CE marked as required by Directive 2011/65/EU. Components may not be CE marked. Additionally, the part numbers that TE has identified as EU ELV compliant have a maximum concentration of 0.1% by weight in homogenous materials for lead, hexavalent chromium, and mercury, and 0.01% for cadmium, or qualify for an exemption to these limits as defined in the Annexes of Directive 2000/53/EC (ELV). Regarding the REACH Regulation, the information TE provides on SVHC in articles for this part number is based on the latest European Chemicals Agency (ECHA) 'Guidance on requirements for substances in articles' posted at this URL: <https://echa.europa.eu/guidance-documents/guidance-on-reach>

Compatible Parts



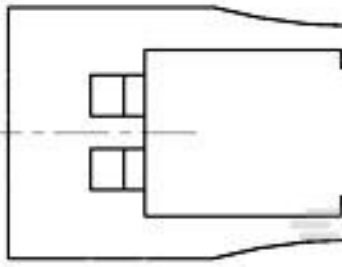
TE Part # 1-141708-1
MOD IV RECEPTACLE, CRIMP SNAP IN, LP



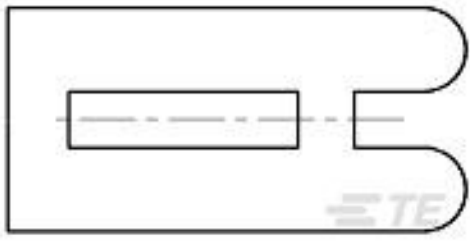
TE Part # 141708-1
MOD-4 REC.CONT.SCP.



TE Part # 826467-3
3P MOD II SHROUDED HEADER, ST



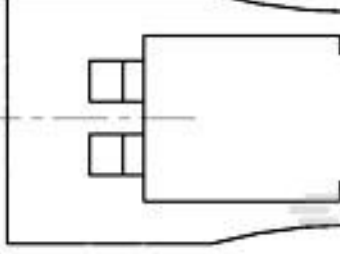
TE Part # 926477-1
RETENTION FORK



TE Part # 926498-3
MOD2 KODIERSTUECK



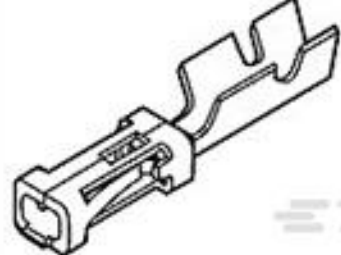
TE Part # 167021-2
MOD-4 REC.CONT.SCP.



TE Part # 926477-3
MOD4 RASTHAKEN



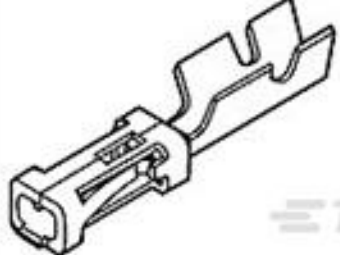
TE Part # 167301-4
MOD-4 REC.CONT.SCP



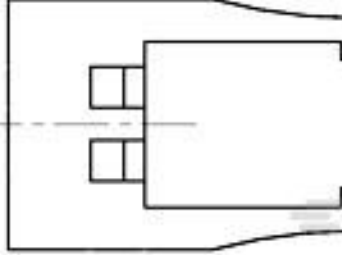
TE Part # 2-167301-4
MOD-4 REC.CONT.SCP



TE Part # 2-167301-2
MOD-4 REC.CONT.SCP



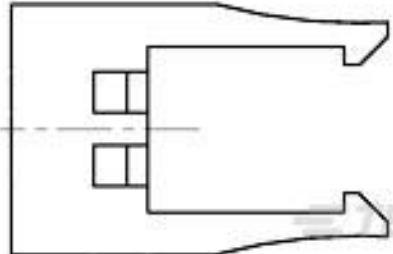
TE Part # 167024-1
MOD-4 REC.CONT.SCP.



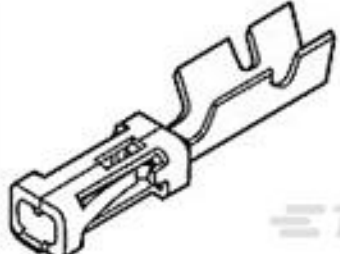
TE Part # 926478-1
RETENTION FORK



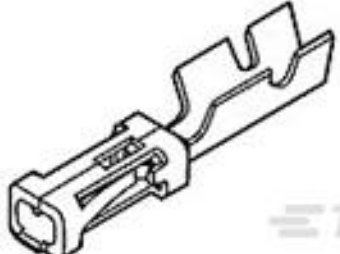
TE Part # 826468-3
3P MOD II SHROUDED HEADER, RT ANG.



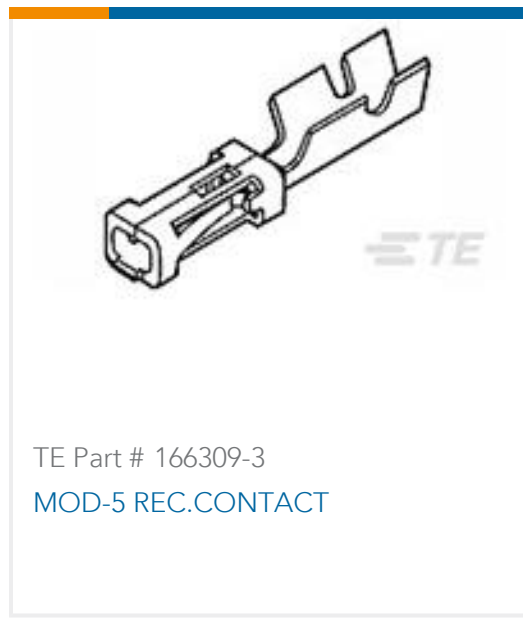
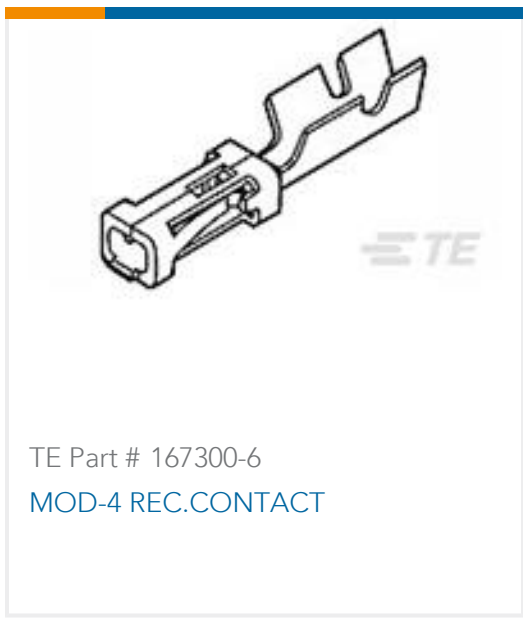
TE Part # 926478-3
MOD4 RASTHAKEN



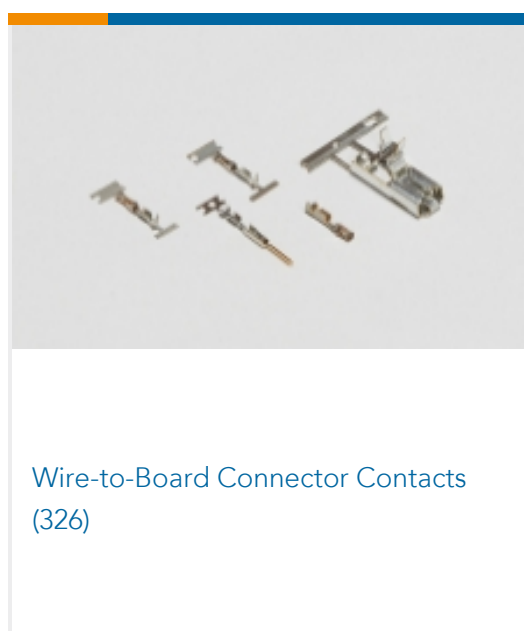
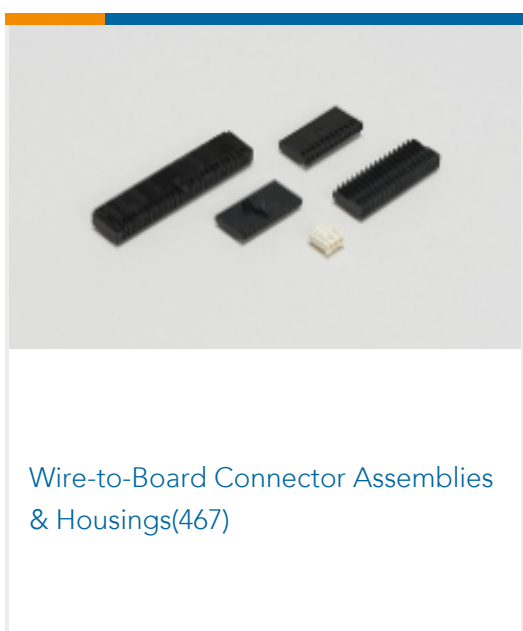
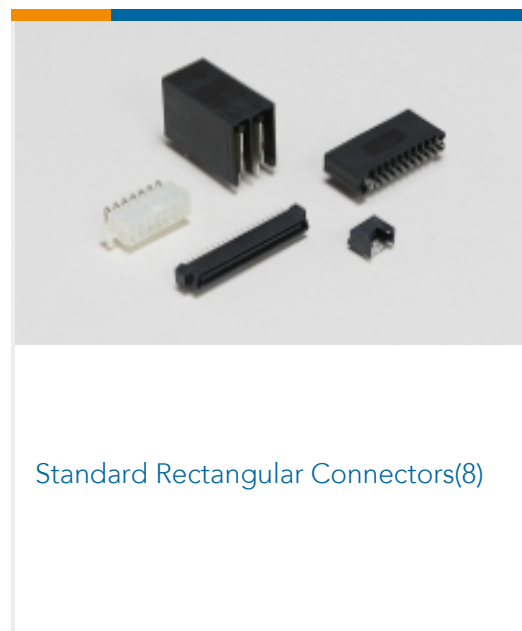
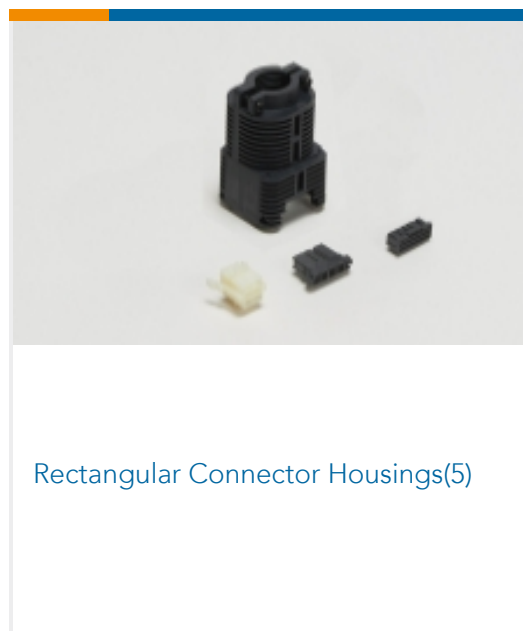
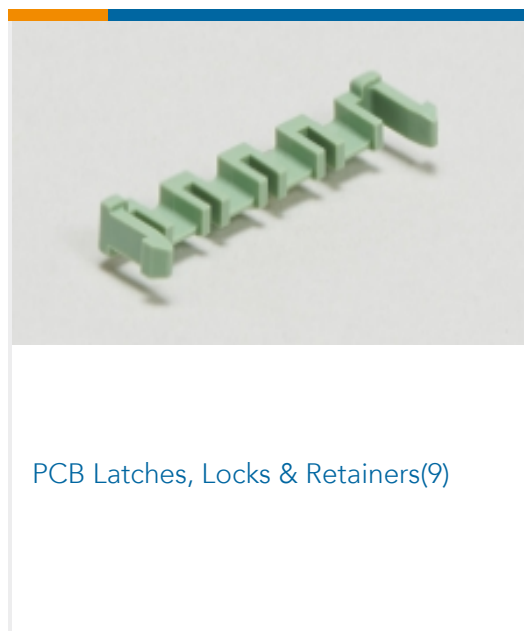
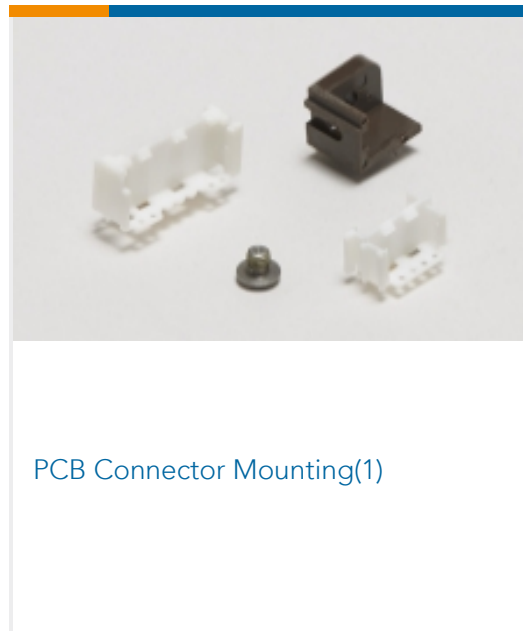
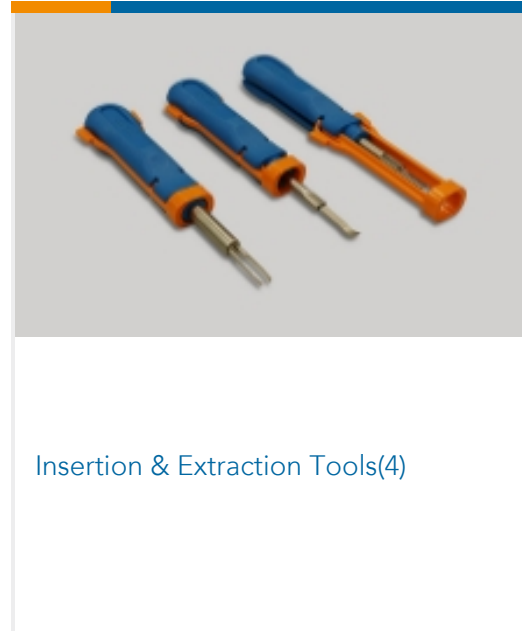
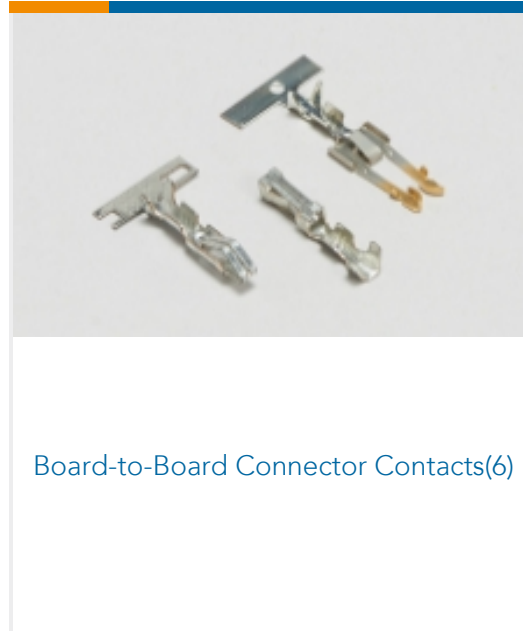
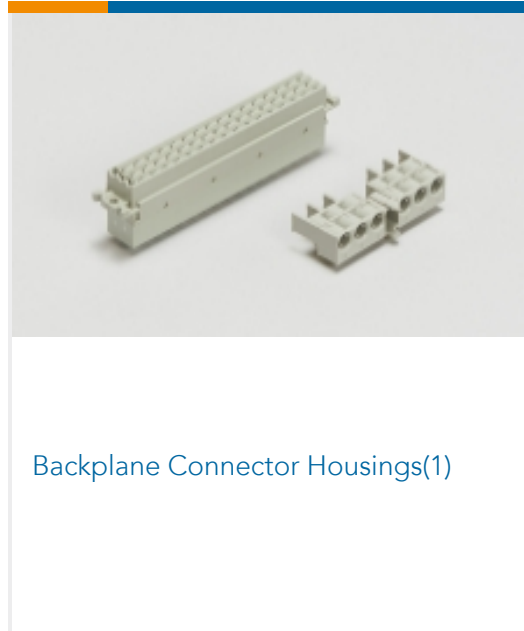
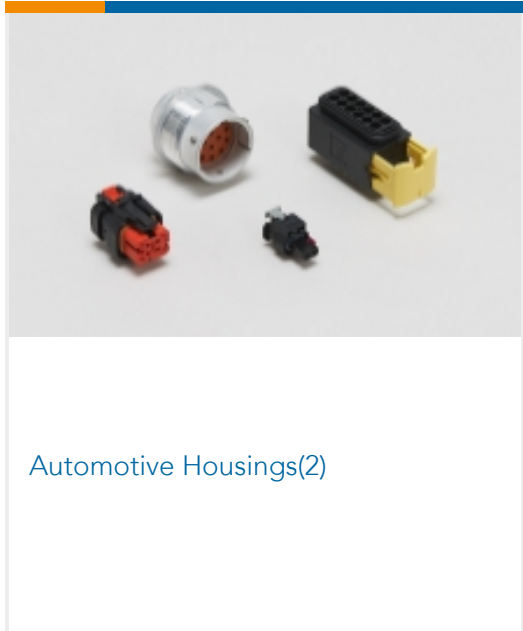
TE Part # 167023-1
MOD-4 REC.CONTACT



TE Part # 166310-2
MOD-5 REC.CONTACT



Also in the Series | AMPMODU IV/V



Customers Also Bought



TE Part #1579007-9
EXTRACTION TOOL



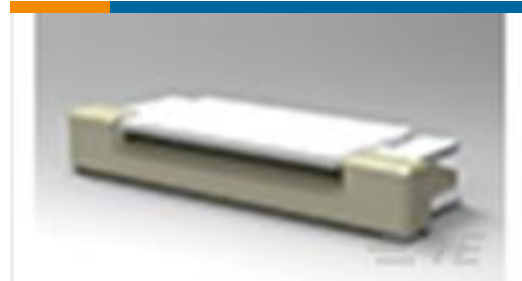
TE Part #969973-6
2x6P HV100 REC. CON, SMD, GOLD,
BLISTER



TE Part #160101-2
RING TONGUE 20-16 AWG 0.0253
TPBR



TE Part #826468-3
3P MOD II SHROUDED HEADER, RT
ANG.



TE Part #2-1734839-0
FPC CONN. 0.5MM PITCH T/C, 20P



TE Part #926476-5
MOD 4 HSG



TE Part #1-292303-6
Std USB Type A, R/A, SMT, Offset



TE Part #690602-6
CAM TERM FEED

Documents

Product Drawings

[03P MODU 4 HSG.S.R.](#)

English

CAD Files

[3D PDF](#)

English

Customer View Model

[ENG_CVM_926475-3_O.2d_dxf.zip](#)

English

Customer View Model

[ENG_CVM_926475-3_O.3d_igs.zip](#)

English

Customer View Model

[ENG_CVM_926475-3_O.3d_stp.zip](#)

English

By downloading the CAD file I accept and agree to the [Terms and Conditions](#) of use.

Product Specifications

[Product Specification](#)

English

Product Environmental Compliance

[TE Material Declaration](#)

English

Agency Approvals

[UL Report](#)

926475-3

Housing, Receptacle, Wire-to-Board, 3 Position, 2.54 mm [.1 in] Centerline, Crimp, 1 Row, Black, Wire & Cable, Signal, AMPMODU IV/V



English