



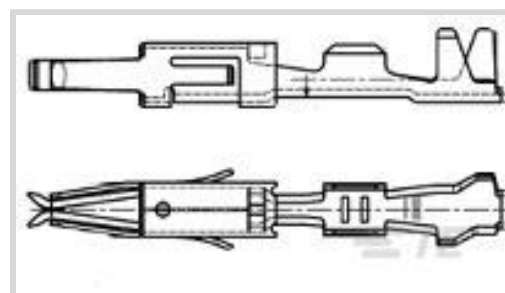
AMP | Micro Timer II

TE Internal #: 962943-2

Automotive Terminals, Receptacle, Mating Tab Width 1.6 mm [.063 in], Tab Thickness .024 in [.6 mm], 20 – 17 AWG Wire Size, Micro Timer II

[View on TE.com >](#)

Terminals & Splices > Automotive Terminals > TIMER, RECEPTACLE AND TAB



Terminal Type: **Receptacle**

Mating Tab Width: **1.6 mm [.063 in]**

Mating Tab Thickness: **.6 mm [.024 in]**

Terminal Transmits: **0 – 24 A (Low Power)**

Wire Size: **20 – 17 AWG**

[All TIMER, RECEPTACLE AND TAB \(344\)](#)

**Features**

**Product Type Features**

Sealable	No
Primary Locking Feature	Locking Lance

**Contact Features**

Contact Size	1.6mm
Contact Fabrication	Stamped & Formed
Typical Current Rating	10 A
Crimp Type	F-Crimp
Terminal Type	Receptacle
Mating Tab Width	1.6 mm[.063 in]
Mating Tab Thickness	.6 mm[.024 in]
Interface Plating	Tin (Sn)
Contact Termination Area Plating Material	Tin (Sn)

**Termination Features**

Termination Method to Wire & Cable	Crimp
Product Terminates To	Wire

**Dimensions**

Wire Size	.5 – 1 mm <sup>2</sup>
-----------	------------------------



Wire Size Search	17 AWG, 18 AWG, 19 AWG, 20 AWG
------------------	--------------------------------

Wire Insulation Diameter	1.4 – 2 mm [.055 – .079 in]
--------------------------	-----------------------------

### Usage Conditions

Insulation Option	Uninsulated
-------------------	-------------

Operating Temperature (Max)	80 °C, 85 °C, 90 °C, 100 °C, 105 °C, 110 °C, 120 °C [176 °F][185 °F][194 °F][212 °F][221 °F][230 °F][248 °F]
-----------------------------	--

Operating Temperature Range	-40 – 120 °C [-40 – 248 °F]
-----------------------------	-----------------------------

### Operation/Application

Compatible With Wire Base Material	Copper
------------------------------------	--------

### Industry Standards

Agency/Standard	IEC 664/664A (DIN VDE 0110)
-----------------	-----------------------------

### Packaging Features

Packaging Method	Reel
------------------	------

Packaging Quantity	6000
--------------------	------

### Other

Terminal Transmits	0 – 24 A (Low Power)
--------------------	----------------------

## Product Compliance

[For compliance documentation, visit the product page on TE.com>](#)

EU RoHS Directive 2011/65/EU	Compliant
------------------------------	-----------

EU ELV Directive 2000/53/EC	Compliant
-----------------------------	-----------

China RoHS 2 Directive MIIT Order No 32, 2016	No Restricted Materials Above Threshold
---	---

EU REACH Regulation (EC) No. 1907/2006	Current ECHA Candidate List: JUNE 2022 (224) Candidate List Declared Against: JAN 2022 (223) SVHC > Threshold: Not Yet Reviewed
--	--

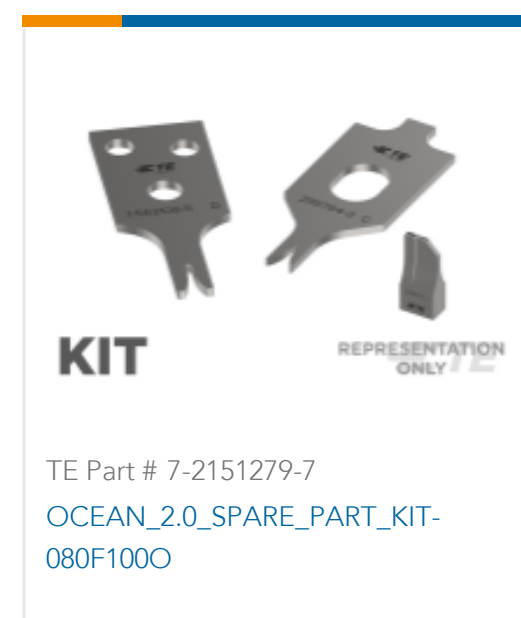
Halogen Content	Low Halogen - Br, Cl, F, I < 900 ppm per homogenous material. Also BFR/CFR/PVC Free
-----------------	---

Solder Process Capability	Not applicable for solder process capability
---------------------------	--

Product Compliance Disclaimer

This information is provided based on reasonable inquiry of our suppliers and represents our current actual knowledge based on the information they provided. This information is subject to change. The part numbers that TE has identified as EU RoHS compliant have a maximum concentration of 0.1% by weight in homogenous materials for lead, hexavalent chromium, mercury, PBB, PBDE, DBP, BBP, DEHP, DIBP, and 0.01% for cadmium, or qualify for an exemption to these limits as defined in the Annexes of Directive 2011/65/EU (RoHS2). Finished electrical and electronic equipment products will be CE marked as required by Directive 2011/65/EU. Components may not be CE marked. Additionally, the part numbers that TE has identified as EU ELV compliant have a maximum concentration of 0.1% by weight in homogenous materials for lead, hexavalent chromium, and mercury, and 0.01% for cadmium, or qualify for an exemption to these limits as defined in the Annexes of Directive 2000/53/EC (ELV). Regarding the REACH Regulation, the information TE provides on SVHC in articles for this part number is based on the latest European Chemicals Agency (ECHA) 'Guidance on requirements for substances in articles' posted at this URL: <https://echa.europa.eu/guidance-documents/guidance-on-reach>

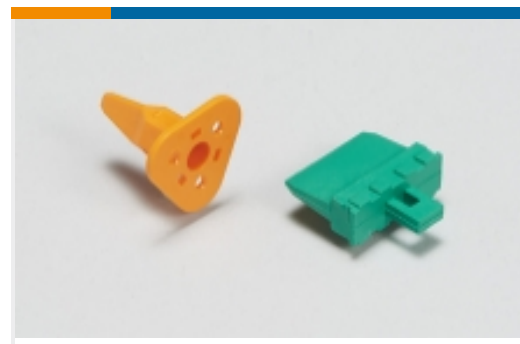
## Compatible Parts



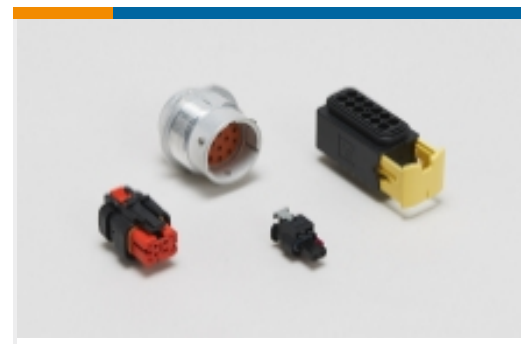
Also in the Series | **Micro Timer II**



Automotive Connector Caps & Covers (2)



Automotive Connector Locks & Position Assurance(1)



Automotive Housings(29)



Automotive Seals & Cavity Plugs(1)



Automotive Terminals(29)



Insertion & Extraction Tools(4)

## Customers Also Bought



TE Part #1718562-1  
REC. HSG.,4POSN.,RAD.SEAL,AMP MCP2.8K



TE Part #770827-1  
04P CMNL PLUG HSG 94-VO



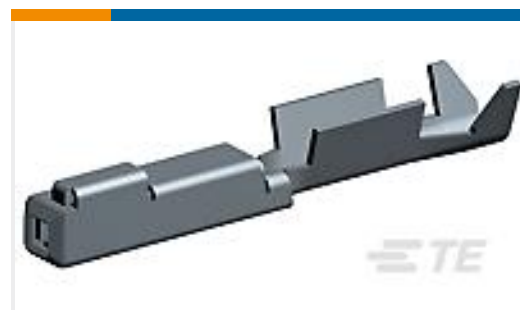
TE Part #42098-1  
FF 250 TAB 18-14 AWG .032 BR



TE Part #42511-2  
250 FASTON FLAG REC 18-12 AWG TPBR



TE Part #1418984-1  
MICRO TIMER 3 REC.HSG.16POS.



TE Part #1717148-1  
REC CONT ASSY S RANGE 025 CLEA



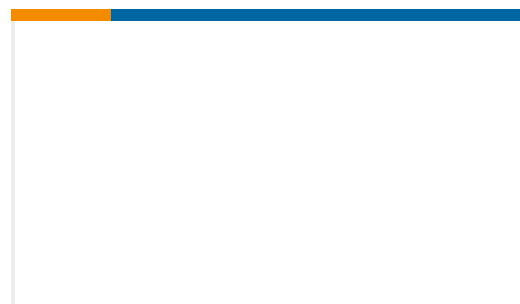
TE Part #1393450-3  
V23542C1052B102=52P KABELBAUM-



TE Part #1969507-2  
250 FASTON HSG.,FLAG,REC.,1 POS, NATRUAL



TE Part #826886-4  
3P ECONOSEAL "E".



TE Part #826885-3  
PIN HSG.ASSY.

## Documents



### Product Drawings

#### MT2 REC 1.6 Contact SRC Sn

English

---

### CAD Files

#### Customer View Model

[ENG\\_CVM\\_962943-2\\_K1.3d\\_igs.zip](#)

English

#### Customer View Model

[ENG\\_CVM\\_962943-2\\_K1.3d\\_stp.zip](#)

English

#### Customer View Model

[ENG\\_CVM\\_962943-2\\_K1.2d\\_dxf.zip](#)

English

### 3D PDF

3D

By downloading the CAD file I accept and agree to the [Terms and Conditions](#) of use.

---

### Datasheets & Catalog Pages

#### Timer Interconnection System

English

---

### Product Specifications

#### Application Specification

German

#### Application Specification

English

#### Application Specification

English

---

### Product Environmental Compliance

#### Product Compliance

English

#### Product Compliance

English