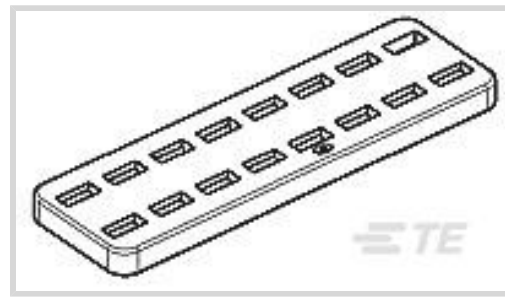




Connectors > Automotive Connectors > Seals & Cavity Plugs



Connector Seal Type: **Facial Seal**

Seal Material: **Silicone**

Contains Lubricant: **No**

Primary Product Color: **Natural**

Features

Product Type Features

Connector Seal Type	Facial Seal
---------------------	-------------

Body Features

Seal Material	Silicone
Primary Product Color	Natural

Packaging Features

Packaging Quantity	10000
Packaging Method	Bag

Other

Contains Lubricant	No
--------------------	----

Product Compliance

[For compliance documentation, visit the product page on TE.com>](#)

EU RoHS Directive 2011/65/EU	Compliant
EU ELV Directive 2000/53/EC	Compliant
China RoHS 2 Directive MIIT Order No 32, 2016	No Restricted Materials Above Threshold
EU REACH Regulation (EC) No. 1907/2006	Current ECHA Candidate List: JUNE 2022 (224) Candidate List Declared Against: JUNE 2022 (224) Does not contain REACH SVHC
Halogen Content	Low Halogen - Br, Cl, F, I < 900 ppm per

homogenous material. Also BFR/CFR/PVC Free

Solder Process Capability

Not applicable for solder process capability

Product Compliance Disclaimer

This information is provided based on reasonable inquiry of our suppliers and represents our current actual knowledge based on the information they provided. This information is subject to change. The part numbers that TE has identified as EU RoHS compliant have a maximum concentration of 0.1% by weight in homogenous materials for lead, hexavalent chromium, mercury, PBB, PBDE, DBP, BBP, DEHP, DIBP, and 0.01% for cadmium, or qualify for an exemption to these limits as defined in the Annexes of Directive 2011/65/EU (RoHS2). Finished electrical and electronic equipment products will be CE marked as required by Directive 2011/65/EU. Components may not be CE marked. Additionally, the part numbers that TE has identified as EU ELV compliant have a maximum concentration of 0.1% by weight in homogenous materials for lead, hexavalent chromium, and mercury, and 0.01% for cadmium, or qualify for an exemption to these limits as defined in the Annexes of Directive 2000/53/EC (ELV). Regarding the REACH Regulation, the information TE provides on SVHC in articles for this part number is based on the latest European Chemicals Agency (ECHA) 'Guidance on requirements for substances in articles' posted at this URL: <https://echa.europa.eu/guidance-documents/guidance-on-reach>

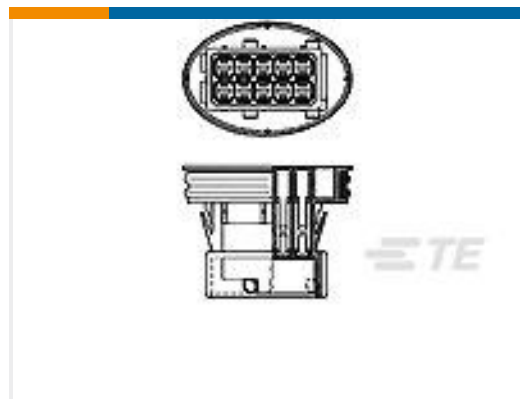
Compatible Parts



TE Part # CAT-T4827-CH8172
TIMER, CONNECTOR HOUSING



TE Part # 1-967601-1
MESSERLEISTE3,0 10P

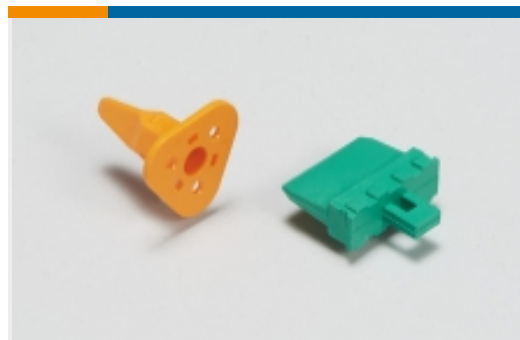


TE Part # 929178-1
FLACHSTE-GEH2,8 10P

Also in the Series | Timer Connector System



Automotive Connector Caps & Covers (11)



Automotive Connector Locks & Position Assurance(16)



Automotive Housings(219)



Automotive Seals & Cavity Plugs(31)



Automotive Terminals(138)



Crimp Terminal Housings(13)



Insertion & Extraction Tools(20)



Other Automotive Connector Accessories(1)



PCB Headers & Receptacles(78)



Quick Disconnects(4)

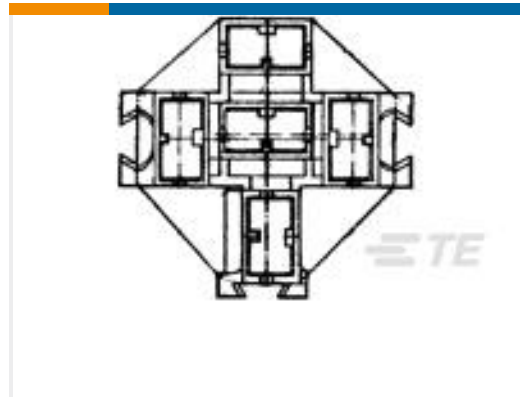
Customers Also Bought



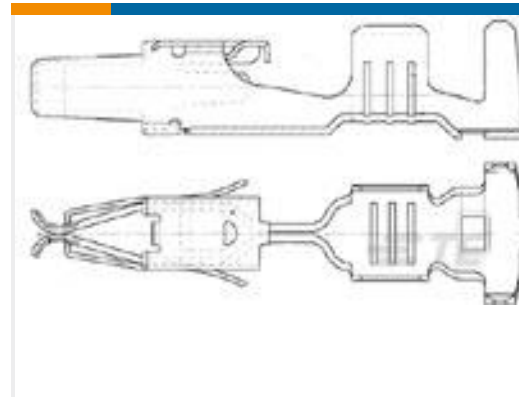
TE Part #1-964449-1
TIMER, CONNECTOR HOUSING



TE Part #DTM04-08PA-E003
REC, 8P, GRY, N, CAP, A



TE Part #927076-1
PL HOUSING 0.6 PA 6.6 + PE-GF13
BLACK



TE Part #185027-1
JPT F REC 2.8 Contact SWS Sn



TE Part #2600156009
ATUM-19/6-2-40MM



TE Part #0021036033
RBK-ILS-125-NR3-0-25MM



TE Part #925014
2 P FF 110(2.8 MM) HOUSING
RECEPTACLE

Documents

Product Drawings

[DICHTUNG F 962352](#)

English

CAD Files

[3D PDF](#)

English

Customer View Model

[ENG_CVM_963213-1_C.2d_dxf.zip](#)

English

Customer View Model

[ENG_CVM_963213-1_C.3d_igs.zip](#)

English

Customer View Model

[ENG_CVM_963213-1_C.3d_stp.zip](#)

English

By downloading the CAD file I accept and agree to the [Terms and Conditions](#) of use.



Product Specifications

Product Specification

French

Product Environmental Compliance

MD_963213-1_071420161314_dmtec

English

MD_963213-1_071420161314_dmtec

English

Instruction Sheets

CONNECTEURS JPT ETANCHES A ETRIER POUR CONNEXIONS FIL A FIL PRECONISAT

English

Instruction Sheet (non U.S.)

English