

967378-1 ✓ ACTIVE

AMP | Timer Connector System

TE Internal #: 967378-1

Automotive Seals & Cavity Plugs, Facial Seal, Silicone, Natural,
Timer Connector System

[View on TE.com >](#)



Connectors > Automotive Connectors > Seals & Cavity Plugs



Connector Seal Type: **Facial Seal**

Seal Material: **Silicone**

Contains Lubricant: **No**

Primary Product Color: **Natural**

Features

Product Type Features

Connector Seal Type	Facial Seal
---------------------	-------------

Body Features

Seal Material	Silicone
---------------	----------

Primary Product Color	Natural
-----------------------	---------

Packaging Features

Packaging Quantity	5000
--------------------	------

Packaging Method	Bag
------------------	-----

Other

Contains Lubricant	No
--------------------	----

Product Compliance

[For compliance documentation, visit the product page on TE.com>](#)

EU RoHS Directive 2011/65/EU	Compliant
------------------------------	-----------

EU ELV Directive 2000/53/EC	Compliant
-----------------------------	-----------

China RoHS 2 Directive MIIT Order No 32, 2016	No Restricted Materials Above Threshold
---	---

EU REACH Regulation (EC) No. 1907/2006

Current ECHA Candidate List: JUNE 2022 (224)

Candidate List Declared Against: JUL 2021 (219)

SVHC > Threshold:
Not Yet Reviewed

Halogen Content

Low Halogen - Br, Cl, F, I < 900 ppm per homogenous material. Also BFR/CFR/PVC Free

Solder Process Capability

Not applicable for solder process capability

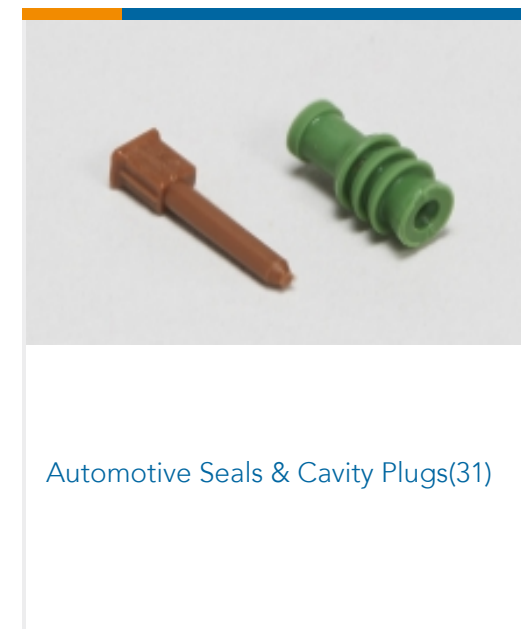
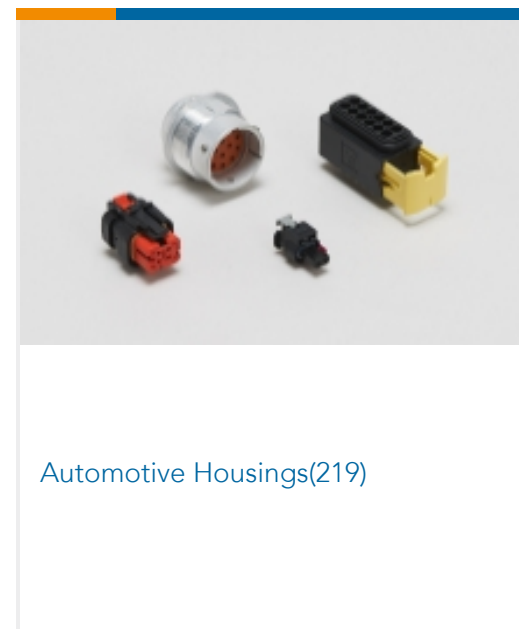
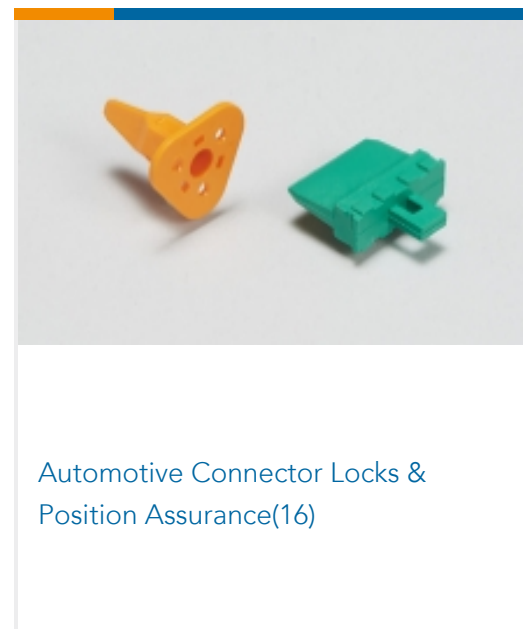
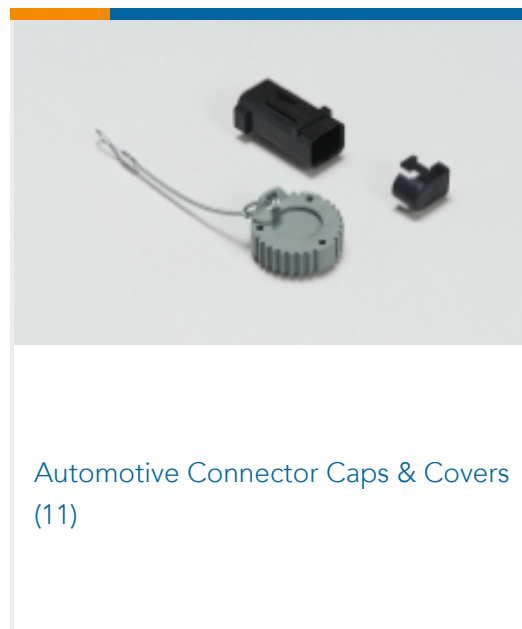
Product Compliance Disclaimer

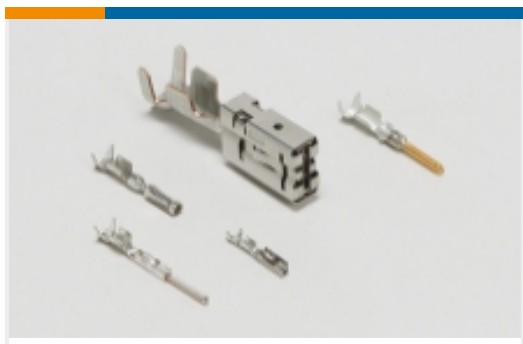
This information is provided based on reasonable inquiry of our suppliers and represents our current actual knowledge based on the information they provided. This information is subject to change. The part numbers that TE has identified as EU RoHS compliant have a maximum concentration of 0.1% by weight in homogenous materials for lead, hexavalent chromium, mercury, PBB, PBDE, DBP, BBP, DEHP, DIBP, and 0.01% for cadmium, or qualify for an exemption to these limits as defined in the Annexes of Directive 2011/65/EU (RoHS2). Finished electrical and electronic equipment products will be CE marked as required by Directive 2011/65/EU. Components may not be CE marked. Additionally, the part numbers that TE has identified as EU ELV compliant have a maximum concentration of 0.1% by weight in homogenous materials for lead, hexavalent chromium, and mercury, and 0.01% for cadmium, or qualify for an exemption to these limits as defined in the Annexes of Directive 2000/53/EC (ELV). Regarding the REACH Regulation, the information TE provides on SVHC in articles for this part number is based on the latest European Chemicals Agency (ECHA) 'Guidance on requirements for substances in articles' posted at this URL: <https://echa.europa.eu/guidance-documents/guidance-on-reach>

Compatible Parts



Also in the Series | Timer Connector System





Automotive Terminals(138)



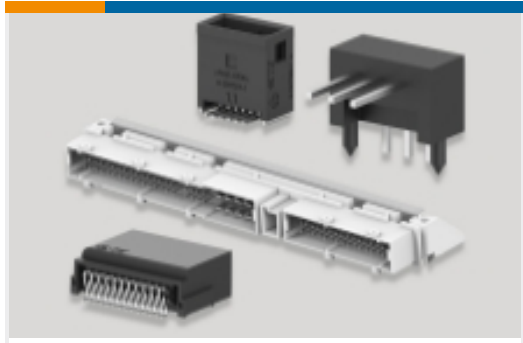
Crimp Terminal Housings(13)



Insertion & Extraction Tools(20)



Other Automotive Connector Accessories(1)



PCB Headers & Receptacles(78)



Quick Disconnects(4)

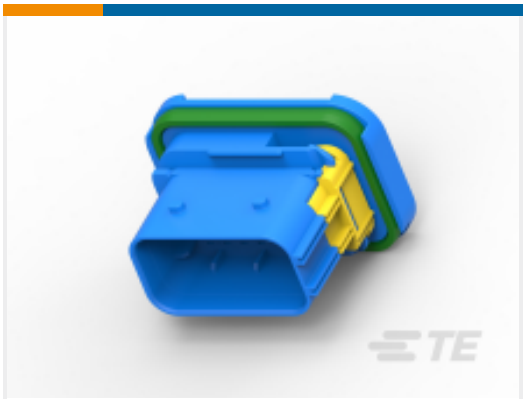
Customers Also Bought



TE Part #DTP06-4S-CE02
PLG, 4P, BLK, E



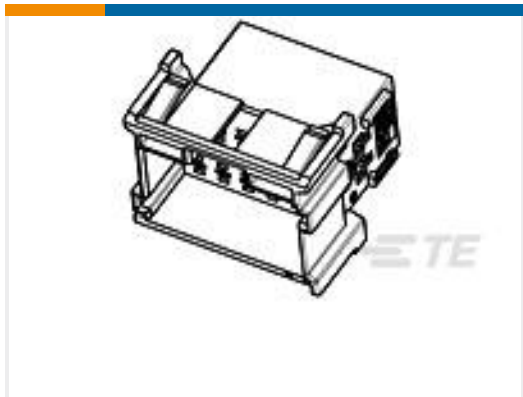
TE Part #2292865-1
AS16 BACKSHELL, 12P CAP,
SMOOTH EXIT, MC



TE Part #3-2112162-1
21POS,TAB2.8X0.8,TABHSG,CODE C,
ASSY,SLD



TE Part #DTMH06-3SA
PLG, 3P, BLK, N, HI TEMP, A



TE Part #1-967627-3
FLACHSTE-GEH2,8 12P



TE Part #DT04-12PA-BE04
REC, 12P, BLK, E, ENH KEY, CAP, A



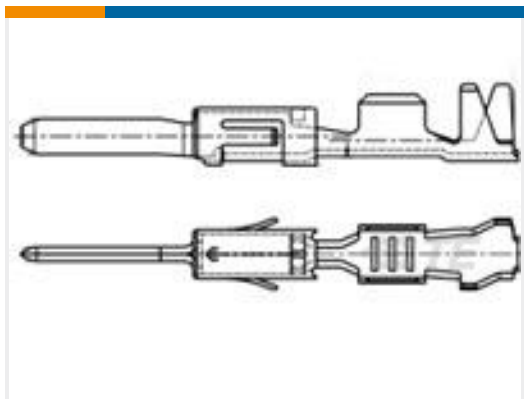
TE Part #HD34-18-21SN-059
REC,21P,AL,N, CBL CLMP BT, DRAIN,
20,S,MC



TE Part #HDP26-18-20SN-L017
PLG, 20P, BLK, N, RNG, 16/20, S



TE Part #2319021-1
REC CONN CVR,8POS,AMP MCP 2.8,
FRB



TE Part #963903-1
TAB A 1.6x0.6 CONTACT CS SWS Sn
(LP)

Documents



Product Drawings

DICHTUNG

English

CAD Files

3D PDF

3D

Customer View Model

[ENG_CVM_CVM_967378-1_A.2d_dxf.zip](#)

English

Customer View Model

[ENG_CVM_CVM_967378-1_A.3d_igs.zip](#)

English

Customer View Model

[ENG_CVM_CVM_967378-1_A.3d_stp.zip](#)

English

By downloading the CAD file I accept and agree to the [Terms and Conditions](#) of use.