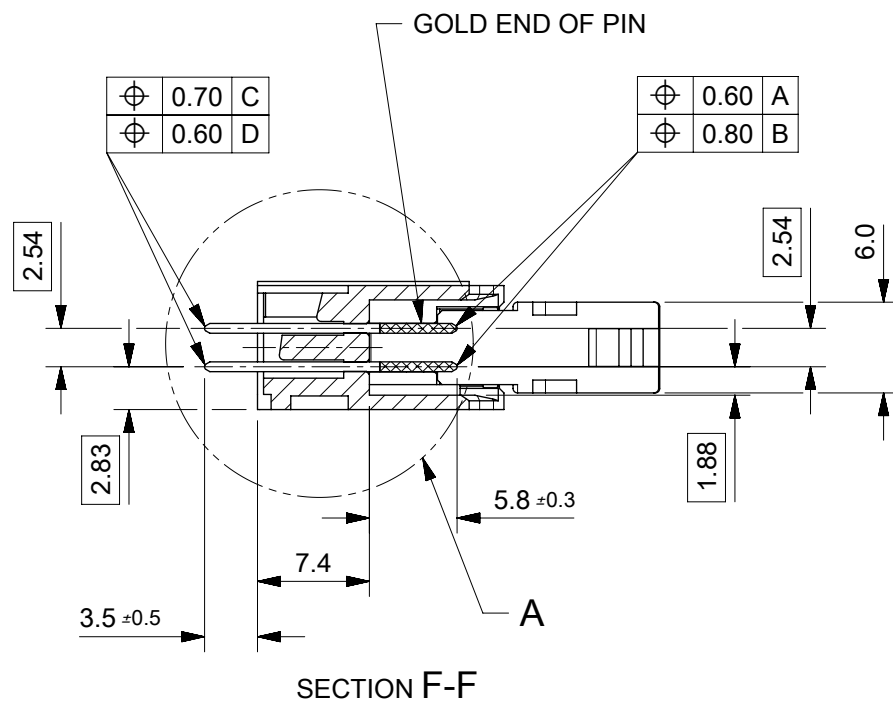


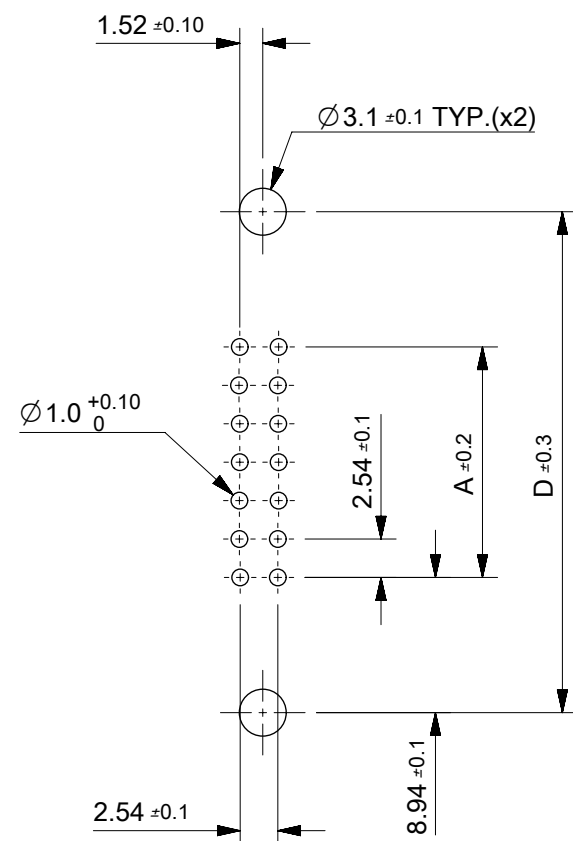
DETAIL A
SCALE 4:1
DIMENSIONS FOR SELECTIVE PLATING'S



- NOTES:
1. FOR MATERIAL SPECIFICATION SEE NOTE 1. ON SHEET 2.
 2. FOR RECOMMENDED P.C.B. HOLE PATTERN, PART NO'S AND UNSTATED DIMENSIONS SEE SHEET 2.
 3. PRODUCT SPEC. NO: PS-99020-0015
 4. THIS RIB IS NOT PRESENT ON 10 & 14 CKT PARTS.

THIS DRAWING CONTAINS INFORMATION THAT IS PROPRIETARY TO MOLEX ELECTRONIC TECHNOLOGIES, LLC AND SHOULD NOT BE USED WITHOUT WRITTEN PERMISSION		CURRENT REV DESC: CAD MIGRATION		molex	
DIMENSION UNITS	SCALE	EC NO: 605552			
mm	2:1	DRWN: EEGBEDIRE 2018/10/04		PRODUCT CUSTOMER DRAWING	
GENERAL TOLERANCES (UNLESS SPECIFIED)		CHK'D: TTOURISH 2019/04/15		DOCUMENT NUMBER	
ANGULAR TOL	± 2.0°	APPR: DMAHER 2019/04/15		SDA-90663E	
4 PLACES	±	INITIAL REVISION:		DOC TYPE	DOC PART
3 PLACES	±	DRWN: POB 1990/08/03		PSD	001
2 PLACES	± 0.2	APPR: JDENNEHY 2004/11/24		REVISION	K
1 PLACE	± 0.2	DRAFT WHERE APPLICABLE MUST REMAIN WITHIN DIMENSIONS		SHEET NUMBER	
0 PLACES	±	THIRD ANGLE PROJECTION	DRAWING	SERIES	MATERIAL NUMBER
			A3-SIZE	90663	SEE SHEET 2
		CUSTOMER		GENERAL MARKET	
				1 OF 6	

78.74	86.34	90.52	96.62	100.74	90663-1641	90663-1642	90663-1643	64
73.66	81.26	85.44	91.54	95.66	↑ -1601	↑ -1602		60
60.96	68.56	72.74	78.84	82.96	↑ -1501	↑ -1502		50
48.26	55.86	60.04	66.14	70.26	↑ -1401	↑ -1402		40
40.64	48.24	52.42	58.52	62.64	↑ -1341	↑ -1342		34
35.56	43.16	47.34	53.44	57.56	↑ -1301	↑ -1302		30
30.48	38.08	42.26	48.36	52.48	↑ -1261	↑ -1262		26
22.86	30.46	34.64	40.74	44.86	↑ -1201	↑ -1202		20
17.78	25.38	29.56	35.66	39.78	↓ -1161	↓ -1162		16
15.24	22.84	27.02	33.12	37.24	↓ -1141	↓ -1142	90663-1143	14
10.16	17.76	21.94	28.04	32.16	90663-1101	90663-1102		10
A	B	C	D	E	ENG. NO. GS1 PLATING	ENG. NO. GS2 PLATING	ENG. NO. GS3 PLATING	NO. OF CKTS

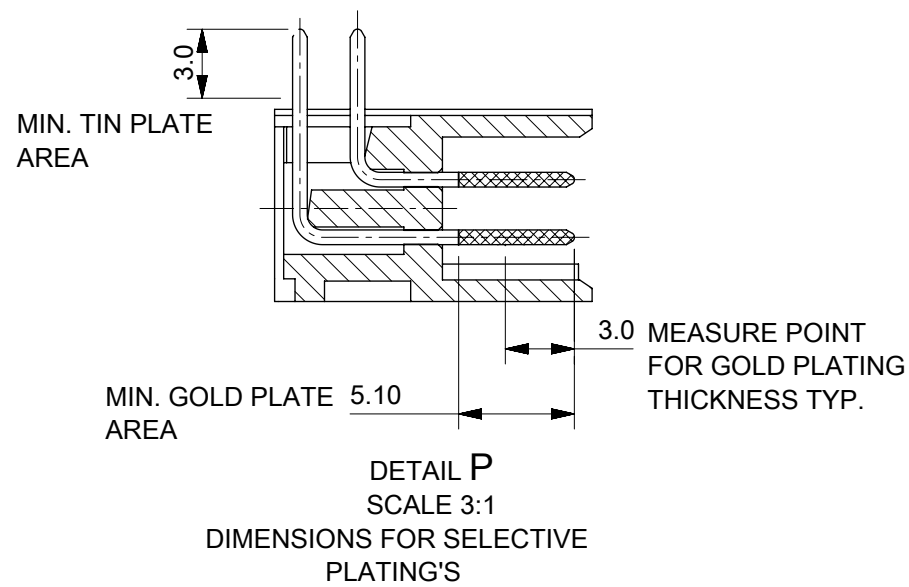
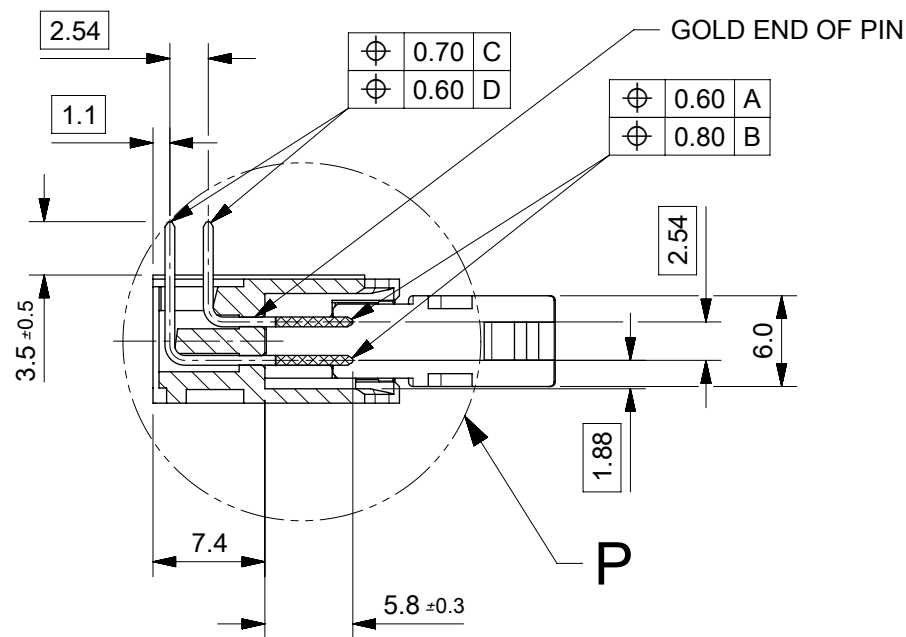
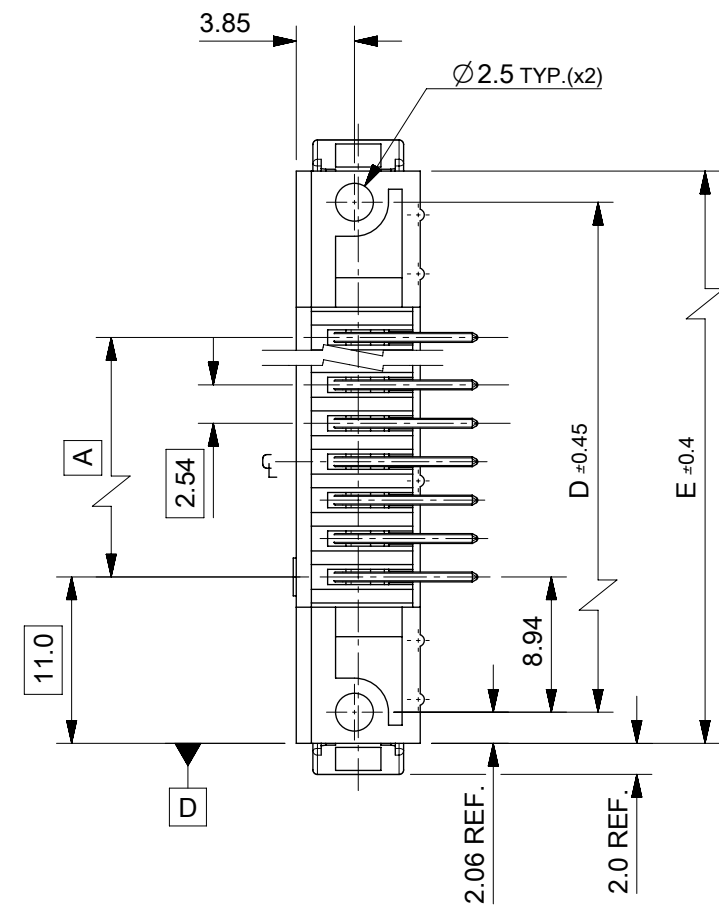
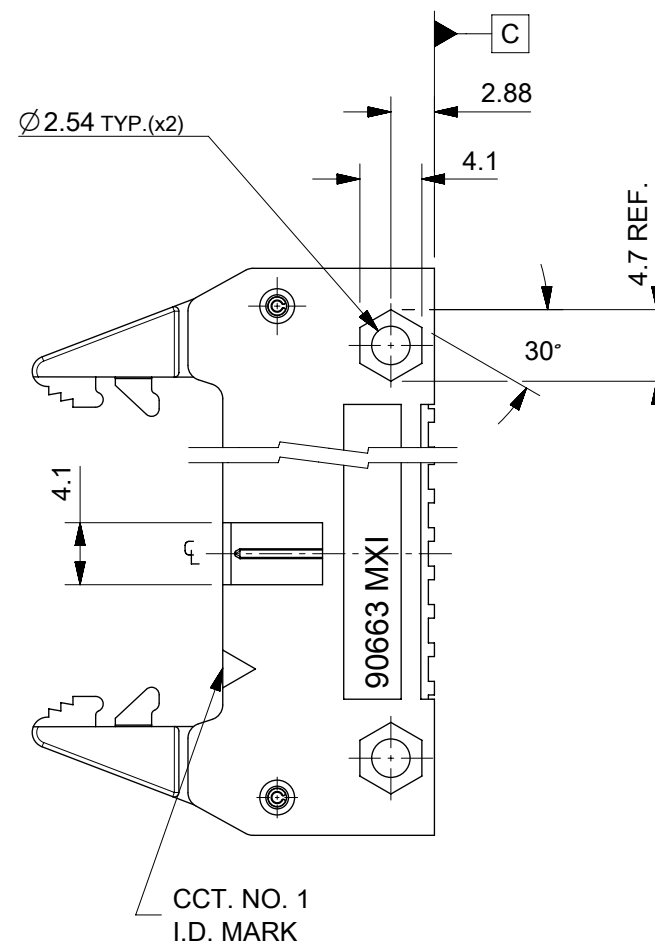
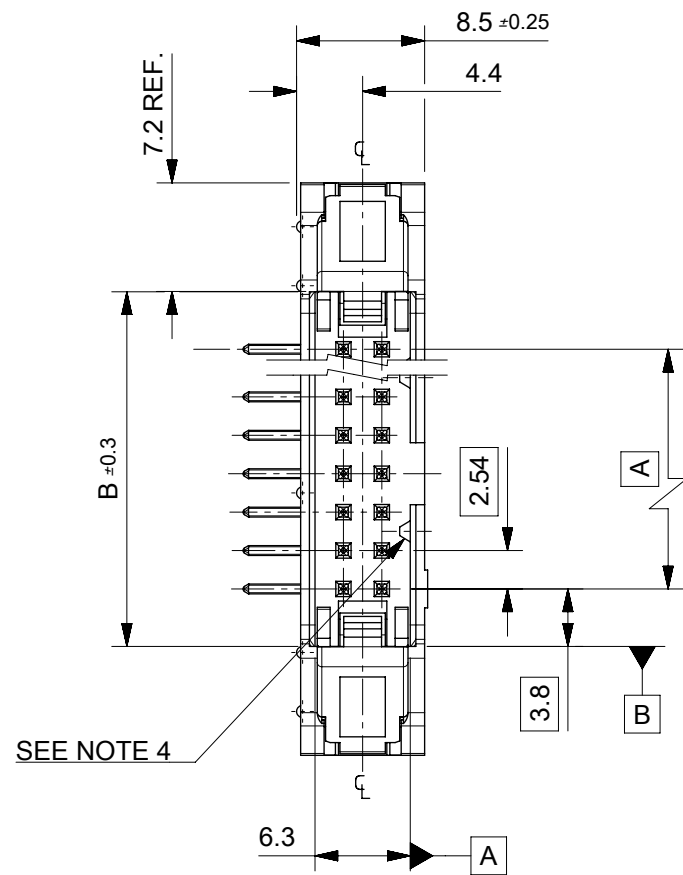
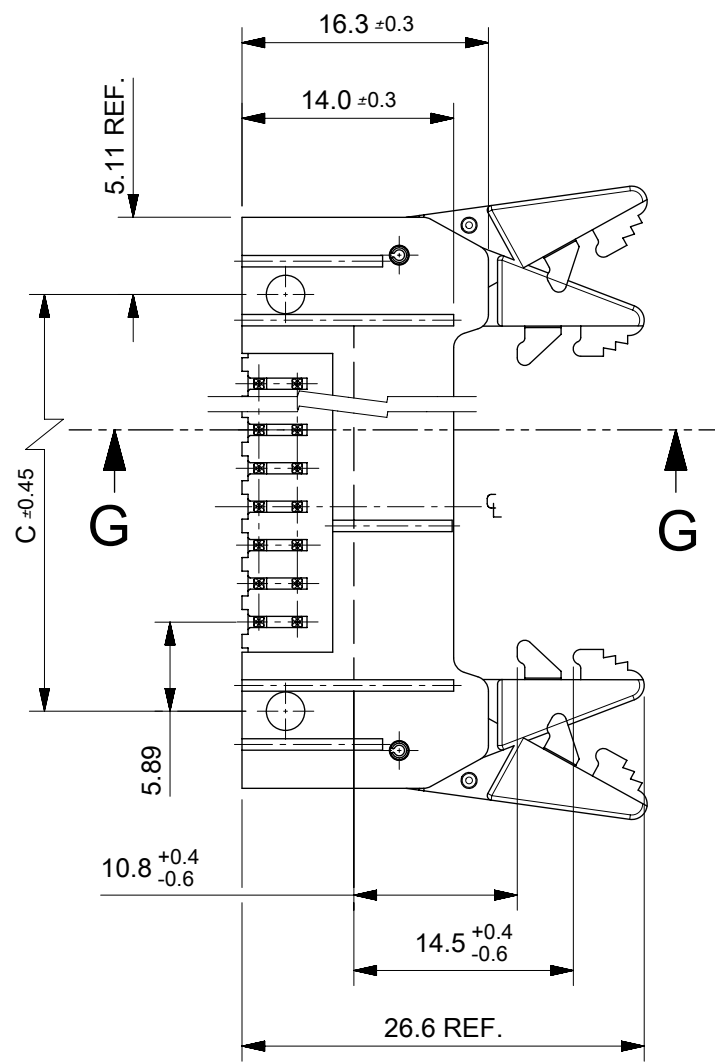


RECOMMENDED P.C.B. HOLE PATTERN

NOTES:

- MATERIAL: GLASS FILLED POLYESTER (UL 94 V0), COLOUR-BLACK.
PINS: BRASS SIZE 0.635.
LEVER: GLASS FILLED POLYESTER(UL 94 V0), COLOUR-BLACK.
- PLATING OPTIONS.
90663-1**1, 1µm MIN. NICKEL UNDERPLATE. CONTACT AREA GS1 PLATING 0.1µ MIN. GOLD. SOLDER AREA 3µm MIN.TIN.
90663-1**2, 1µm MIN. NICKEL UNDERPLATE. CONTACT AREA GS2 PLATING 0.76µ MIN. GOLD. SOLDER AREA 3µm MIN.TIN.
90663-1**3, 1µm MIN. NICKEL UNDERPLATE. CONTACT AREA GS3 PLATING 0.25µ MIN. GOLD. SOLDER AREA 3µm MIN.TIN.
- RECOMMENDED PCB THICKNESS 1.6mm

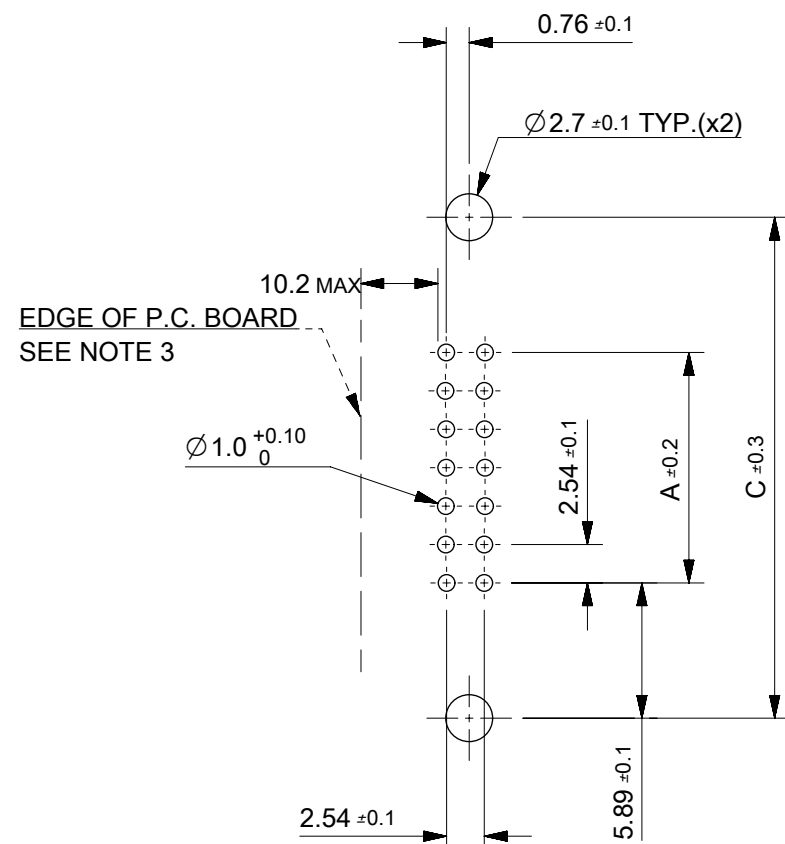
THIS DRAWING CONTAINS INFORMATION THAT IS PROPRIETARY TO MOLEX ELECTRONIC TECHNOLOGIES, LLC AND SHOULD NOT BE USED WITHOUT WRITTEN PERMISSION										
DIMENSION UNITS	SCALE	CURRENT REV DESC: CAD MIGRATION								
mm	2:1									
GENERAL TOLERANCES (UNLESS SPECIFIED)		EC NO: 605552					QF50 SRD HDR VT W/ELV			
ANGULAR TOL	± 2.0 °	DRWN: EEGBEDIRE 2018/10/04					PRODUCT CUSTOMER DRAWING			
4 PLACES	±	CHK'D: TTOURISH 2019/04/15					DOCUMENT NUMBER			
3 PLACES	±	APPR: DMAHER 2019/04/15					SDA-90663E			
2 PLACES	± 0.2	INITIAL REVISION:					DOC TYPE			
1 PLACE	± 0.2	DRWN: POB 1990/08/03					PSD			
0 PLACES	±	APPR: JDENNEHY 2004/11/24					DOC PART			
DRAFT WHERE APPLICABLE MUST REMAIN WITHIN DIMENSIONS		THIRD ANGLE PROJECTION	DRAWING	SERIES	MATERIAL NUMBER	CUSTOMER	REVISION			
			A3-SIZE	90663	SEE CHART	GENERAL MARKET	001 K			
							SHEET NUMBER			
							2 OF 6			



- NOTES:
1. FOR MATERIAL SPECIFICATION SEE NOTE 1. ON SHEET 4.
 2. FOR RECOMMENDED P.C.B. HOLE PATTERN, PART NO'S AND UNSTATED DIMENSIONS SEE SHEET 4.
 3. PRODUCT SPEC. NO: PS-99020-0015
 4. THIS RIB IS NOT PRESENT ON 10 & 14 CKT PARTS.

THIS DRAWING CONTAINS INFORMATION THAT IS PROPRIETARY TO MOLEX ELECTRONIC TECHNOLOGIES, LLC AND SHOULD NOT BE USED WITHOUT WRITTEN PERMISSION									
DIMENSION UNITS		SCALE		CURRENT REV DESC: CAD MIGRATION					
mm		2:1							
GENERAL TOLERANCES (UNLESS SPECIFIED)									
ANGULAR TOL ± 2.0°				EC NO: 605552					
4 PLACES ±				DRWN: EEGBEDIRE 2018/10/04					
3 PLACES ±				CHK'D: TTOURISH 2019/04/15					
2 PLACES ± 0.2				APPR: DMAHER 2019/04/15					
1 PLACE ± 0.2				INITIAL REVISION:					
0 PLACES ±				DRWN: POB 1990/11/07					
				APPR: JDENNEHY 2004/11/24					
DRAFT WHERE APPLICABLE MUST REMAIN WITHIN DIMENSIONS		THIRD ANGLE PROJECTION		DRAWING		SERIES		MATERIAL NUMBER	
				A3-SIZE		90663		SEE SHEET 4	
				CUSTOMER		DOC TYPE		DOC PART	
				GENERAL MARKET		PSD		001	
								REVISION	
								K	
								SHEET NUMBER	
								3 OF 6	

78.74	86.34	90.52	96.62	100.74	90663-3641	90663-3642		64
73.66	81.26	85.44	91.54	95.66	↑ -3601	↑ -3602		60
60.96	68.56	72.74	78.84	82.96	↑ -3501	↑ -3502		50
48.26	55.86	60.04	66.14	70.26	↑ -3401	↑ -3402	90663-3403	40
40.64	48.24	52.42	58.52	62.64	↑ -3341	↑ -3342	90663-3343	34
35.56	43.16	47.34	53.44	57.56	↑ -3301	↑ -3302		30
30.48	38.08	42.26	48.36	52.48	↑ -3261	↑ -3262	90663-3263	26
22.86	30.46	34.64	40.74	44.86	↑ -3201	↑ -3202		20
17.78	25.38	29.56	35.66	39.78	↓ -3161	↓ -3162	90663-3163	16
15.24	22.84	27.02	33.12	37.24	↓ -3141	↓ -3142		14
10.16	17.76	21.94	28.04	32.16	90663-3101	90663-3102		10
A	B	C	D	E	ENG. NO. GS1 PLATING	ENG. NO. GS2 PLATING	ENG. NO. GS3 PLATING	NO. OF CKTS

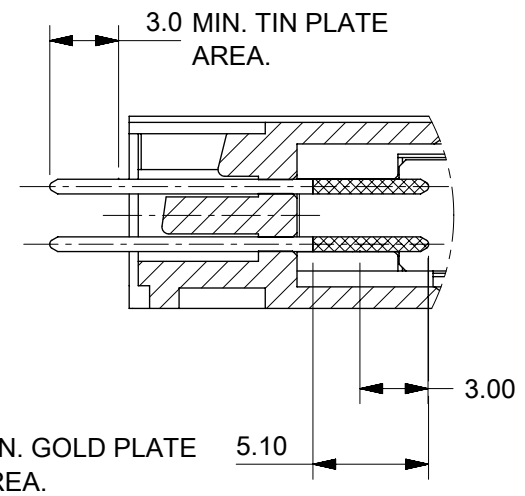
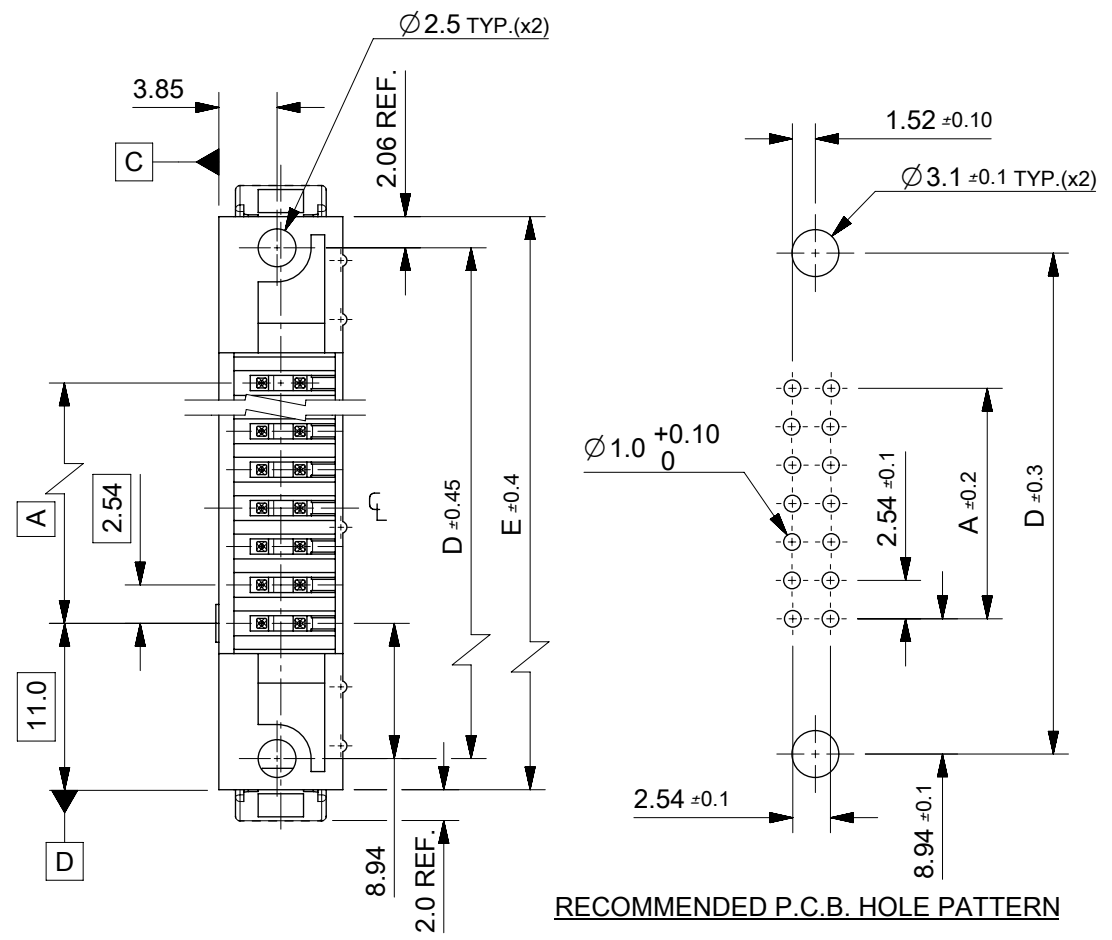
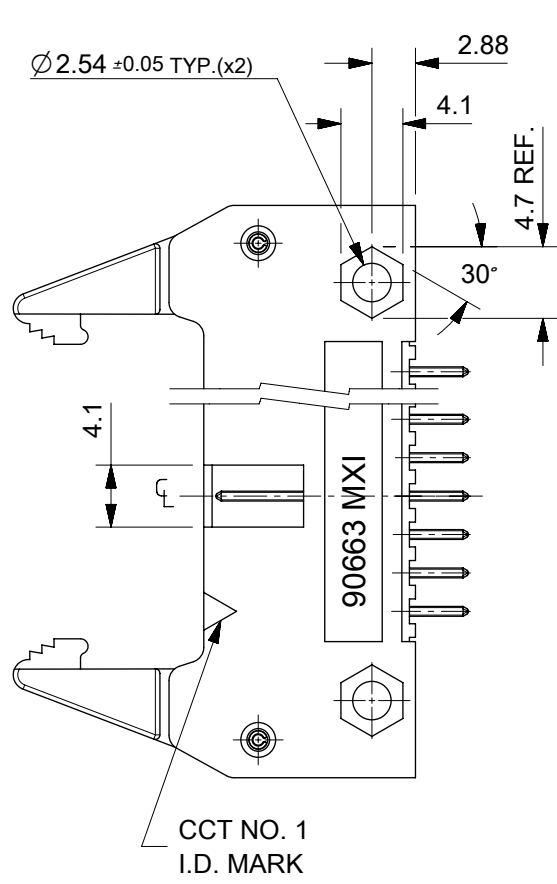
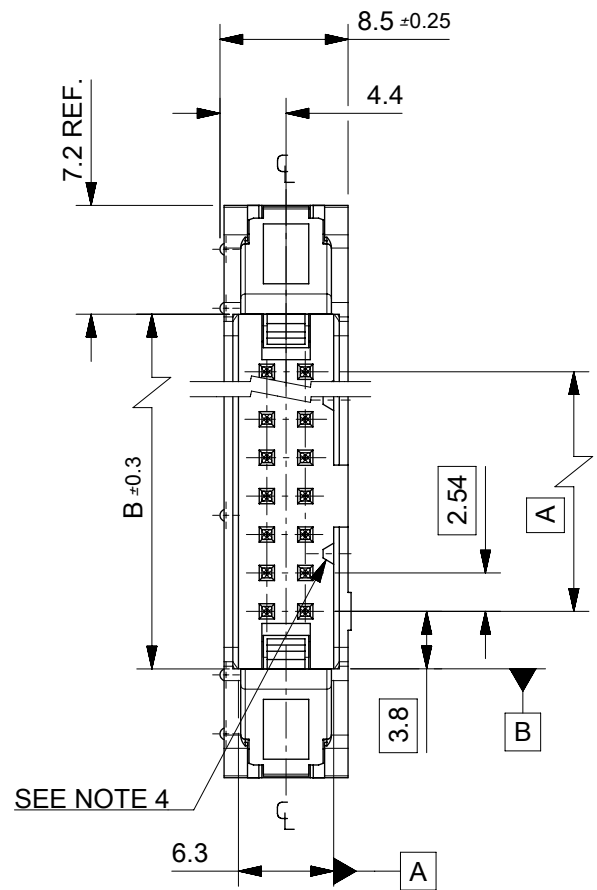
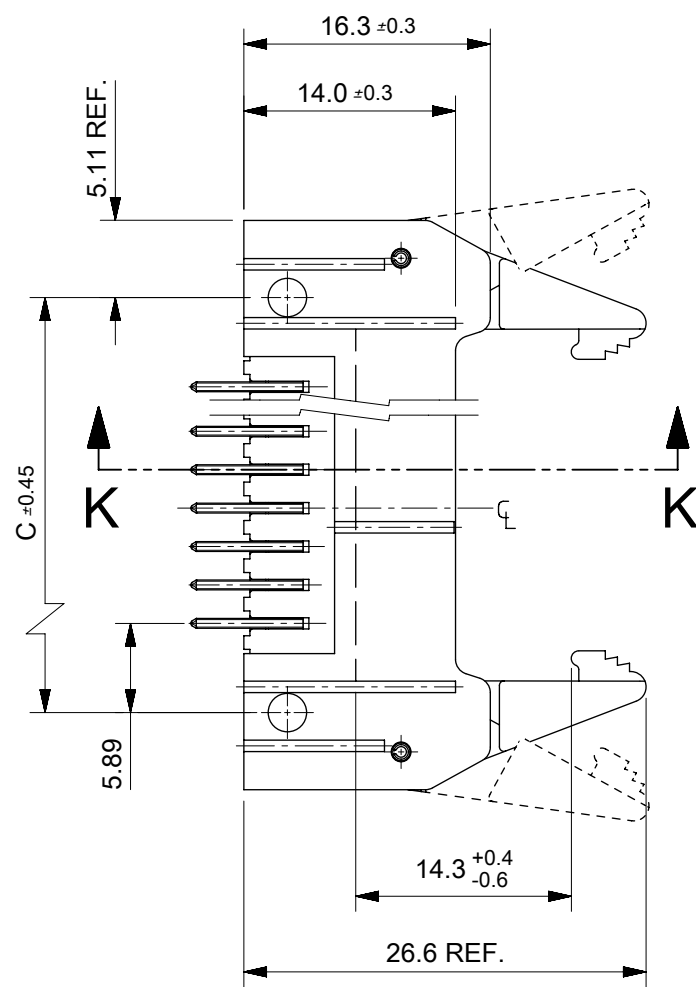


RECOMMENDED P.C.B. HOLE PATTERN

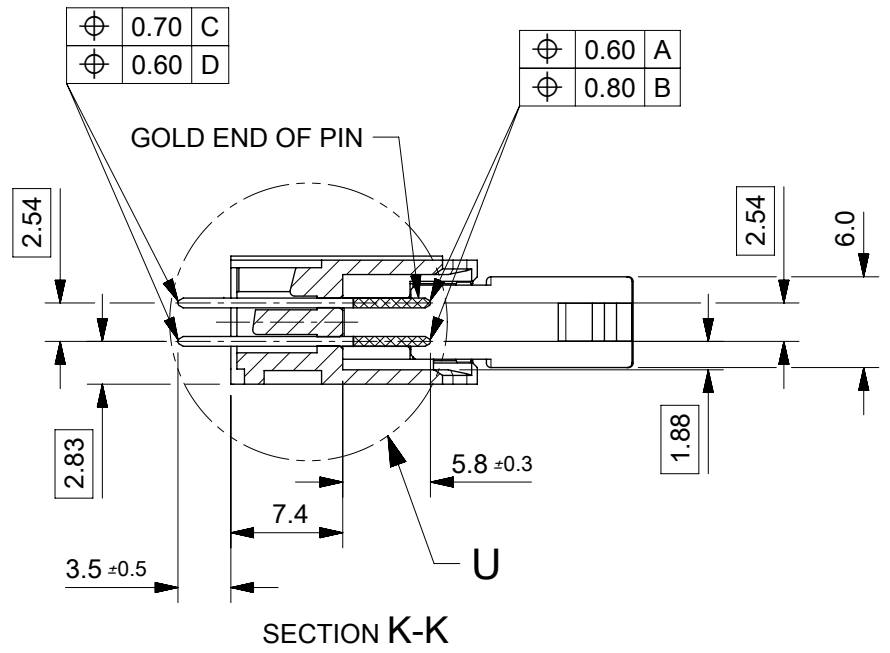
NOTES:

- MATERIAL: GLASS FILLED POLYESTER (UL 94 V0), COLOUR-BLACK.
PINS: BRASS SIZE 0.635.
LEVER: GLASS FILLED POLYESTER (UL 94 V0), COLOUR-BLACK.
SPRING PIN: STEEL
- PLATING OPTIONS.
90663-3**1, 1µm MIN. NICKEL UNDERPLATE. CONTACT AREA GS1 PLATING 0.1µ MIN. GOLD. SOLDER AREA 3µm MIN.TIN.
90663-3**2, 1µm MIN. NICKEL UNDERPLATE. CONTACT AREA GS2 PLATING 0.76µ MIN. GOLD. SOLDER AREA 3µm MIN.TIN.
90663-3**3, 1µm MIN. NICKEL UNDERPLATE. CONTACT AREA GS3 PLATING 0.25µ MIN. GOLD. SOLDER AREA 3µm MIN.TIN.
- 10.2mm MAX. TO EDGE OF PCB DAISY CHAIN APPLICATIONS
- RECOMMENDED PCB THICKNESS 1.6mm

THIS DRAWING CONTAINS INFORMATION THAT IS PROPRIETARY TO MOLEX ELECTRONIC TECHNOLOGIES, LLC AND SHOULD NOT BE USED WITHOUT WRITTEN PERMISSION									
DIMENSION UNITS	SCALE	CURRENT REV DESC: CAD MIGRATION							
mm	2:1								
GENERAL TOLERANCES (UNLESS SPECIFIED)		EC NO: 605552			QF50 SRD HDR RA KEY W/ELV				
ANGULAR TOL	± 2.0°	DRWN: EEGBEDIRE 2018/10/04			PRODUCT CUSTOMER DRAWING				
4 PLACES	±	CHK'D: TTOURISH 2019/04/15			DOCUMENT NUMBER				
3 PLACES	±	APPR: DMAHER 2019/04/15			SDA-90663E				
2 PLACES	± 0.2	INITIAL REVISION:			DOC TYPE				
1 PLACE	± 0.2	DRWN: POB 1990/11/07			PSD				
0 PLACES	±	APPR: MW 2000/10/04			DOC PART				
DRAFT WHERE APPLICABLE MUST REMAIN WITHIN DIMENSIONS		THIRD ANGLE PROJECTION	DRAWING	SERIES	MATERIAL NUMBER	CUSTOMER	REVISION		
			A3-SIZE	90663	SEE CHART	GENERAL MARKET	001	K	4 OF 6



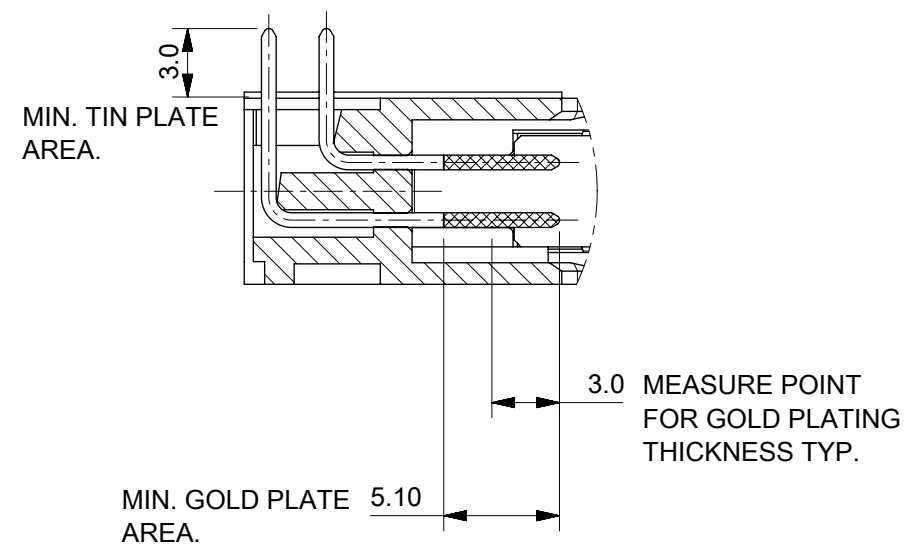
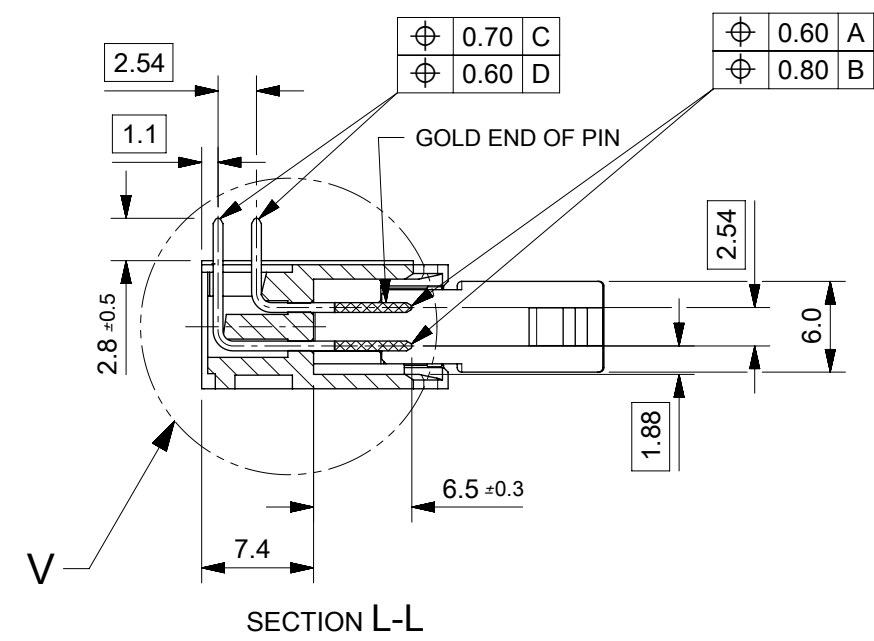
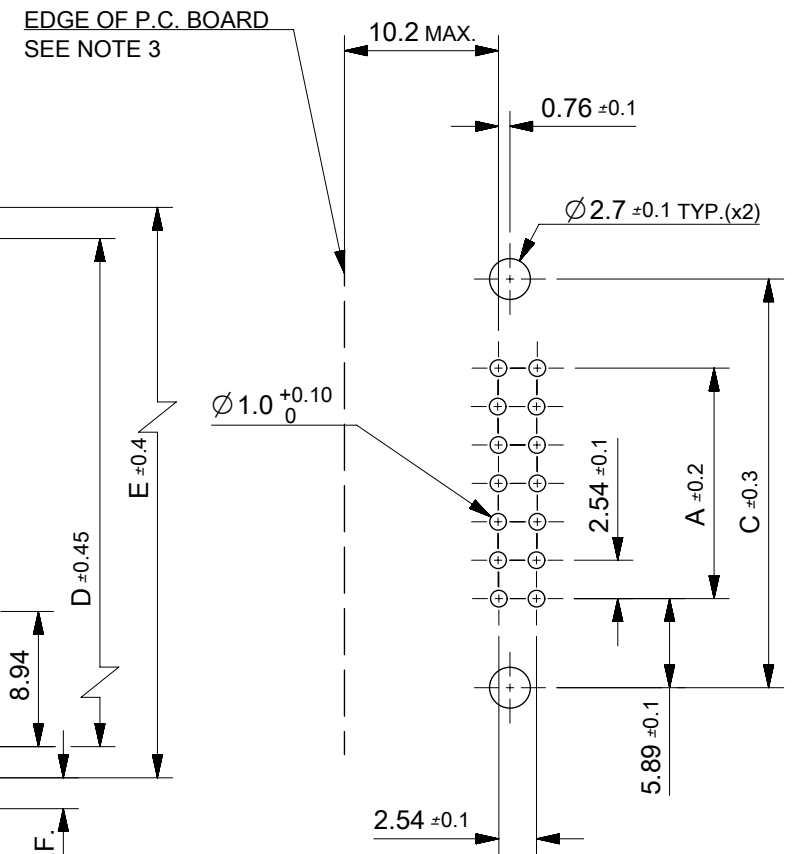
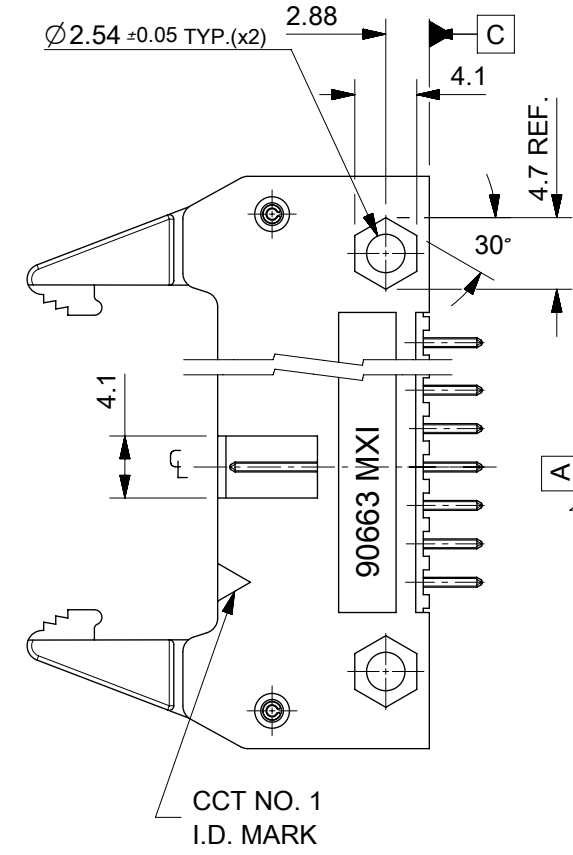
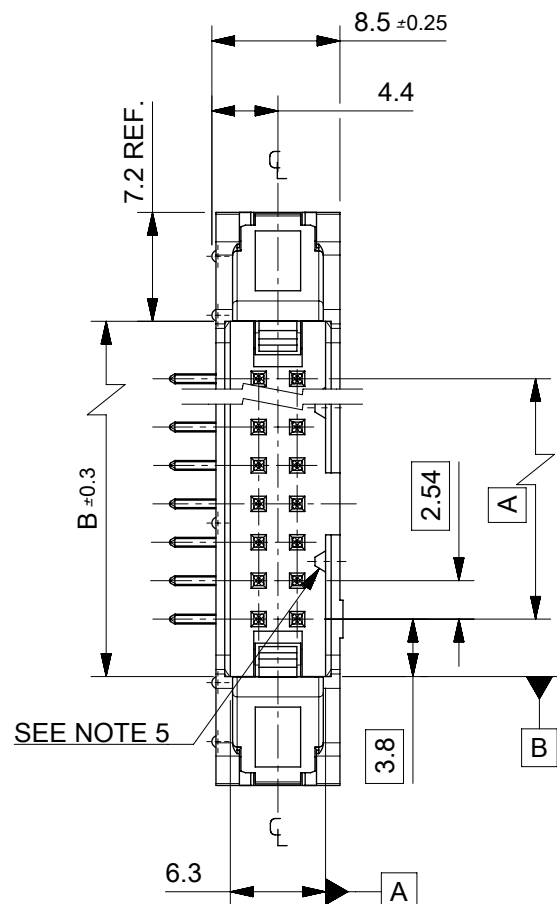
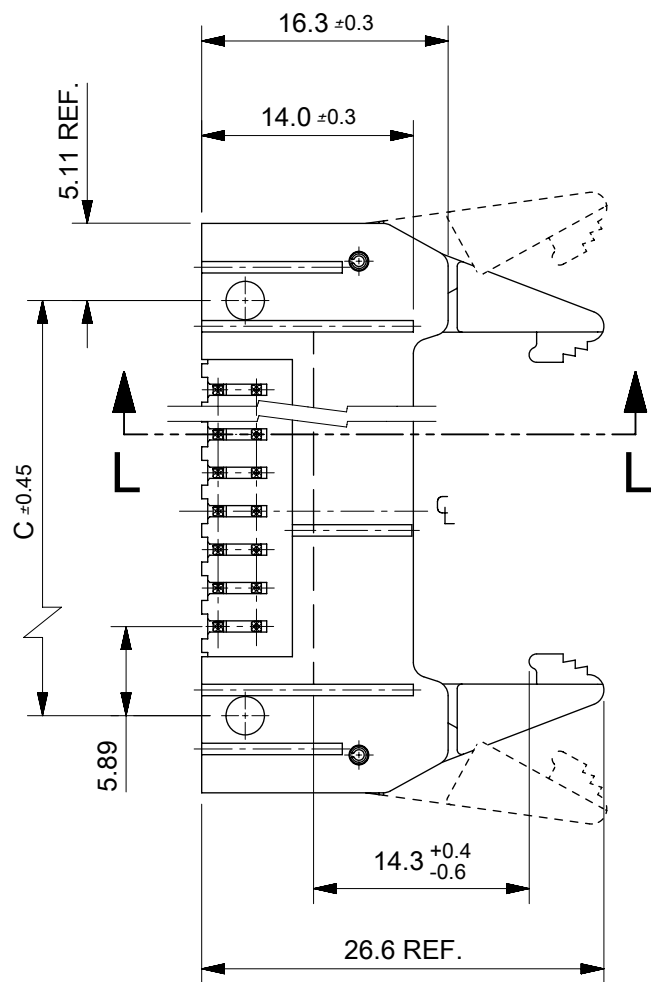
DETAIL U
SCALE 3:1
DIMENSIONS FOR SELECTIVE PLATING'S



- NOTES:**
- MATERIAL**
HEADER: GLASS FILLED POLYESTER (UL 94 V0), COLOUR-BLACK.
PINS: COPPER ALLOY SIZE 0.635.
LEVER: GLASS FILLED POLYESTER (UL 94 V0), COLOUR-BLACK.
 - PLATING**
90663-5**2, 3µm MIN. NICKEL UNDERPLATE. CONTACT AREA GS2 PLATING 0.76µ MIN. GOLD. SOLDER AREA 3µm MIN. TIN.
 - PRODUCT SPECIFICATION NO.:** PS-99020-0015
 - THIS RIB IS NOT PRESENT ON 14 CKT PARTS.**
 - RECOMMENDED PCB THICKNESS 1.6mm**

40.64	48.24	52.42	58.52	62.64	90663-5342	34
17.78	25.38	29.56	35.66	39.78	90663-5162	16
15.24	22.84	27.02	33.12	37.24	90663-5142	14
A	B	C	D	E	ENG. NO. GS2 PLATING	NO. OF CKTS.

THIS DRAWING CONTAINS INFORMATION THAT IS PROPRIETARY TO MOLEX ELECTRONIC TECHNOLOGIES, LLC AND SHOULD NOT BE USED WITHOUT WRITTEN PERMISSION						
DIMENSION UNITS mm	SCALE 2:1	CURRENT REV DESC: CAD MIGRATION			molex	
GENERAL TOLERANCES (UNLESS SPECIFIED)		EC NO: 605552				
ANGULAR TOL	± 2.0°	DRWN: EEGBEDIRE	2018/10/04	QF50 SRD HDR VT SRF W/EXT LOCKING LATCH W/ELV .76AU		
4 PLACES	±	CHK'D: TTOURISH	2019/04/15			
3 PLACES	±	APPR: DMAHER	2019/04/15	PRODUCT CUSTOMER DRAWING		
2 PLACES	± 0.2	INITIAL REVISION:			DOCUMENT NUMBER	
1 PLACE	± 0.2	DRWN: JDENNEHY	2004/05/14	SDA-90663E		
0 PLACES	±	APPR: JDENNEHY	2004/05/14	DOC TYPE	DOC PART	REVISION
DRAFT WHERE APPLICABLE MUST REMAIN WITHIN DIMENSIONS		THIRD ANGLE PROJECTION	DRAWING	SERIES	MATERIAL NUMBER	CUSTOMER
			A3-SIZE	90663	SEE CHART	GENERAL MARKET
						SHEET NUMBER
						5 OF 6



DETAIL V
SCALE 3:1
DIMENSIONS FOR SELECTIVE PLATING'S

- NOTES:**
- MATERIAL**
HEADER: GLASS FILLED POLYESTER (UL 94 V0), COLOUR-BLACK.
PINS: BRASS SIZE 0.635.
LEVER: GLASS FILLED POLYESTER (UL 94 V0), COLOUR-BLACK.
SPRING PINS: STEEL
 - PLATING**
90663-6**2, 1µm MIN. NICKEL UNDERPLATE. CONTACT AREA GS2 PLATING 0.76µ MIN. GOLD. SOLDER AREA 3µm MIN. TIN.
 - 10.2mm MAX. TO EDGE OF PCB FOR DAISY CHAIN APPLICATIONS.
 - PRODUCT SPECIFICATION NO.: PS-99020-0015
 - THIS RIB IS NOT PRESENT ON 14 CKT PARTS.
 - RECOMMENDED PCB THICKNESS 1.6mm

15.24	22.84	27.02	33.12	37.24	90663-6142	14
A	B	C	D	E	ENG.NO.GS2 PLATING	NO. OF CKTS.

THIS DRAWING CONTAINS INFORMATION THAT IS PROPRIETARY TO MOLEX ELECTRONIC TECHNOLOGIES, LLC AND SHOULD NOT BE USED WITHOUT WRITTEN PERMISSION		CURRENT REV DESC: CAD MIGRATION		molex	
DIMENSION UNITS	SCALE	EC NO: 605552			
mm	2:1	DRWN: EEGBEDIRE 2018/10/04		SRF W/EXT LOCKING LATCH	
GENERAL TOLERANCES (UNLESS SPECIFIED)		CHK'D: TTOURISH 2019/04/15		W/ELV .76AU	
ANGULAR TOL	± 2.0°	APPR: DMAHER 2019/04/15		PRODUCT CUSTOMER DRAWING	
4 PLACES	±	INITIAL REVISION:		DOCUMENT NUMBER	
3 PLACES	±	DRWN: JDENNEHY 2004/05/14		SDA-90663E	
2 PLACES	± 0.2	APPR: JDENNEHY 2004/05/14		DOC TYPE	
1 PLACE	± 0.2	DRAFT WHERE APPLICABLE MUST REMAIN WITHIN DIMENSIONS		PSD	
0 PLACES	±	THIRD ANGLE PROJECTION	DRAWING	SERIES	MATERIAL NUMBER
			A3-SIZE	90663	SEE CHART
		CUSTOMER	GENERAL MARKET		NO. OF CKTS.
				001	6 OF 6
				K	