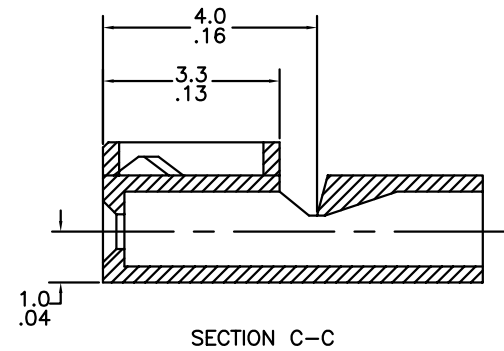
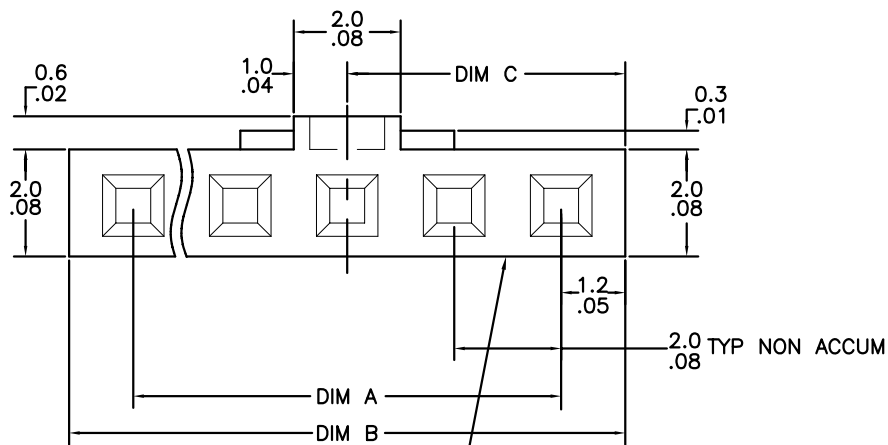
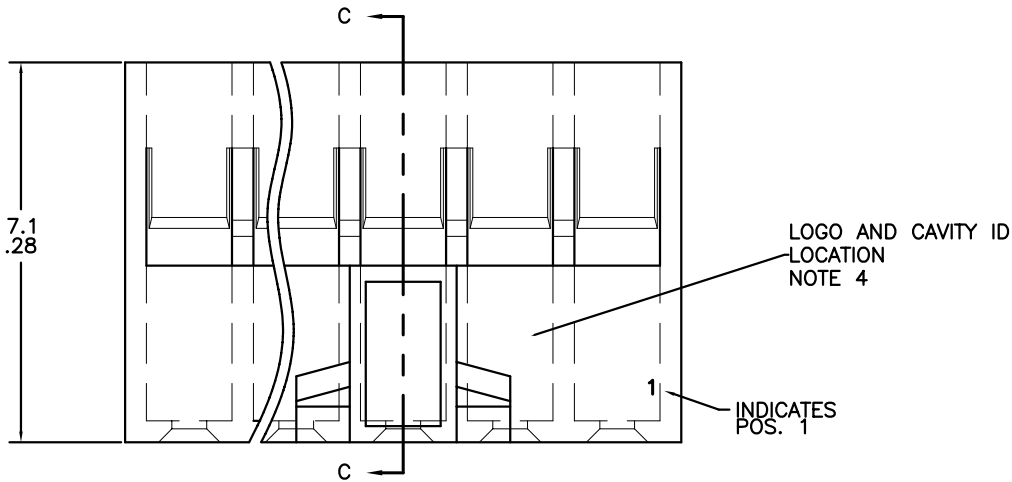


PRODUCT NO.
SEE TABLE



mat'l. code SEE NOTE 1				surface <input checked="" type="checkbox"/> tolerance		projection <input checked="" type="checkbox"/>		product family MINITEK HOUSINGS	
ltr	ecm no	dr	date	tolerances unless otherwise specified		NOTE 7		title	
H	V40409	MRC	1994-02-25	angles	linear	MM/INCH		MINITEK CTW HSG. SGL ROW	
J	V50928	MRC	1995-07-20			scale 8:1		POLARIZATION & LATCHING	
K	V91487	EPK	1998-11-09	0°±2'				dwg no	
L	V00252	MDF	2000-02-29	dr	D. WHITING	1991-02-15	sheet 1 of 2		size
M	V05-0733	DAI	2005-08-11	engr	S. OLSON	1991-02-15	FCJ		90312
N	V06-0516	HTB	2006-06-05	chr	A. RAISTRICK	1991-08-27	type		A3
sheet		revision	N	N			Product Customer Drawing		
index	sheet	1	2						

FCJ
FCJconnect.com

Copyright FCJ

form A3

PRODUCT NUMBER NOTE 5	POSITIONS	DIM A	DIM B	DIM C	LATCHING FEATURES
90312-003	1 X 3	4.0/.16	6.4/.25	3.2/.13	2
90312-004	1 X 4	6.0/.24	8.4/.33	4.2/.17	2
90312-005	1 X 5	8.0/.32	10.4/.41	5.2/.21	2
90312-006	1 X 6	10.0/.39	12.4/.49	6.2/.24	2
90312-007	1 X 7	12.0/.47	14.4/.57	7.2/.28	2
90312-008	1 X 8	14.0/.55	16.4/.65	8.2/.32	2
90312-009	1 X 9	16.0/.63	18.4/.72	9.2/.36	2
90312-010	1 X 10	18.0/.71	20.4/.80	10.2/.40	2
90312-011	1 X 11	20.0/.79	22.4/.88	11.2/.44	2
90312-012	1 X 12	22.0/.87	24.4/.96	12.2/.48	2
90312-013	1 X 13	24.0/.95	26.4/1.04	13.2/.52	2
90312-014	1 X 14	26.0/1.02	28.4/1.12	14.2/.56	2
90312-015	1 X 15	28.0/1.10	30.4/1.20	15.2/.60	2
90312-016	1 X 16	30.0/1.18	32.4/1.28	16.2/.64	2
90312-017	1 X 17	32.0/1.26	34.4/1.35	17.2/.68	2

NOTES:

- ① MATERIAL: UNFILLED FLAME RETARDANT NYLON, FLAME RETARDANT PER UL94V-0, COLOR: BLACK
2. FOR USE WITH MINITEK LATCHING HEADERS WHEN MATING AND UNMATING THE FORCES WILL BE APPROX 1Kg/2.2LBS GREATER THAN THE FORCES DETAILED IN DPS-12-011, PARAGRAPH 3.5 & 3.4.
3. LOGO ON 1 x 5'S AND LARGER.
- ④ LOGO AND CAVITY ID LOCATION TO BE DETERMINED BY MANUFACTURER.
- ⑤ ADD LF SUFFIX TO PART NUMBERS FOR PRODUCT THAT MEETS EUROPEAN UNION DIRECTIVES AND OTHER COUNTRY REGULATIONS AS DESCRIBED IN GS-22-008.
6. THE PRODUCT IS NOT INTENDED TO BE EXPOSED TO MANUFACTURING SOLDER PROCESSES.
- ⑦ STANDARD TOLERANCES:
 .X ±.3/.XX ±.01
 .XX ±.13/.XXX ±.005
 .XXX ±.051/.XXXX ±.0020



FCJconnect.com

Copyright FCJ

mat'l. code SEE NOTE 1		surface <input checked="" type="checkbox"/> tolerance		projection		product family MINITEK HOUSINGS		
ltr	ecn no	dr	date	tolerances unless otherwise specified		title		
N				angles	linear	NOTE 7	MINITEK CTW HSG. SGL ROW	
				0°±2'		MM/INCH	POLARIZATION & LATCHING	
						scale 8:1	dwg no	
		dr	D. WHITING	1991-02-15			sheet 2 of 2	
		engr	S. OLSON	1991-02-15			90312	size
		chr	A. RAISTRICK	1991-08-27			A3	
		appd	S. OLSON	1991-08-27			type	Product Customer Drawing
sheet	revision							
index	sheet							