

962938-1 ✓ ACTIVE

AMP | Maxi Power Timer

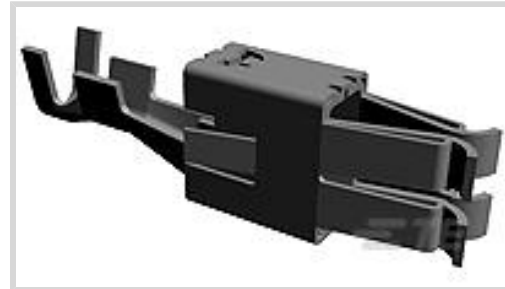
TE Internal #: 962938-1

Automotive Terminals, Receptacle, Mating Tab Width 9.5 mm [.374 in], Tab Thickness .047 in [1.2 mm], 9 – 7 AWG Wire Size, Maxi Power Timer

[View on TE.com >](#)



Terminals & Splices > Automotive Terminals > TIMER, RECEPTACLE AND TAB



Terminal Type: **Receptacle**

Mating Tab Width: **9.5 mm [.374 in]**

Mating Tab Thickness: **1.2 mm [.047 in]**

Terminal Transmits: **41 – 100 A (High Power)**

Wire Size: **9 – 7 AWG**

[All TIMER, RECEPTACLE AND TAB \(344\)](#)

Features

Product Type Features

Sealable	Yes
Primary Locking Feature	Locking Lance

Body Features

Terminal Seal Type	Single Wire Seal (SWS)
--------------------	------------------------

Contact Features

Contact Size	9.5mm
Contact Fabrication	Stamped & Formed
Typical Current Rating	78 A
Crimp Type	F-Crimp
Terminal Type	Receptacle
Mating Tab Width	9.5 mm[.374 in]
Mating Tab Thickness	1.2 mm[.047 in]
Interface Plating	Tin (Sn)
Contact Termination Area Plating Material	Tin (Sn)

Termination Features

Termination Method to Wire & Cable	Crimp
Product Terminates To	Wire



Dimensions

Wire Size	6 – 10 mm ²
Wire Size Search	7 AWG, 8 AWG, 9 AWG
Wire Insulation Diameter	10 mm [.394 in]

Usage Conditions

Insulation Option	Uninsulated
Operating Temperature (Max)	80 °C, 85 °C, 90 °C, 100 °C, 105 °C, 110 °C, 120 °C, 125 °C, 130 °C [176 °F][185 °F][194 °F][212 °F][221 °F][230 °F][248 °F][257 °F][266 °F]
Operating Temperature Range	-40 – 130 °C [-40 – 266 °F]

Operation/Application

Compatible With Wire Base Material	Copper
------------------------------------	--------

Packaging Features

Packaging Method	Reel
Packaging Quantity	450

Other

Terminal Transmits	41 – 100 A (High Power)
--------------------	-------------------------

Product Compliance

For compliance documentation, visit the product page on [TE.com](https://www.te.com)>

EU RoHS Directive 2011/65/EU	Compliant
EU ELV Directive 2000/53/EC	Compliant
China RoHS 2 Directive MIIT Order No 32, 2016	No Restricted Materials Above Threshold
EU REACH Regulation (EC) No. 1907/2006	Current ECHA Candidate List: JUNE 2022 (224) Candidate List Declared Against: JUNE 2022 (224) Does not contain REACH SVHC
Halogen Content	Low Halogen - Br, Cl, F, I < 900 ppm per homogenous material. Also BFR/CFR/PVC Free
Solder Process Capability	Not applicable for solder process capability

Product Compliance Disclaimer

This information is provided based on reasonable inquiry of our suppliers and represents our current actual knowledge based on the information they provided. This information is subject to change. The part numbers that TE has identified as EU RoHS compliant have a maximum concentration of 0.1% by weight in homogenous materials for lead, hexavalent chromium, mercury, PBB, PBDE, DBP, BBP, DEHP, DIBP, and 0.01% for cadmium, or qualify for an exemption to these limits as defined in the Annexes of Directive 2011/65/EU (RoHS2). Finished electrical and electronic equipment products will be CE marked as required by Directive 2011/65/EU. Components may not be CE marked. Additionally, the part numbers that TE has identified as EU ELV compliant have a maximum concentration of 0.1% by weight in homogenous materials for lead, hexavalent chromium, and mercury, and 0.01% for cadmium, or qualify for an exemption to these limits as defined in the Annexes of Directive 2000/53/EC (ELV). Regarding the REACH Regulation, the information TE provides on SVHC in articles for this part number is based on the latest European Chemicals Agency (ECHA) 'Guidance on requirements for substances in articles' posted at this URL: <https://echa.europa.eu/guidance-documents/guidance-on-reach>

Compatible Parts



TE Part # 963774-1
TAB 9.5x1.2 CONTACT CS SWS Sn



TE Part # 1-1579007-7
EXTRACTION TOOL



TE Part # 2-2151794-2
OCEAN-2.0-APPLICATOR-S-200F4300



TE Part # 2151794-2
OCEAN-2.0-APPLICATOR-S-200F4300



TE Part # 680699-3
HDM 5SAPR200F4300 G




TE Part # 7-2151794-2
OCEAN-2.0-APPLICATOR-S-200F4300

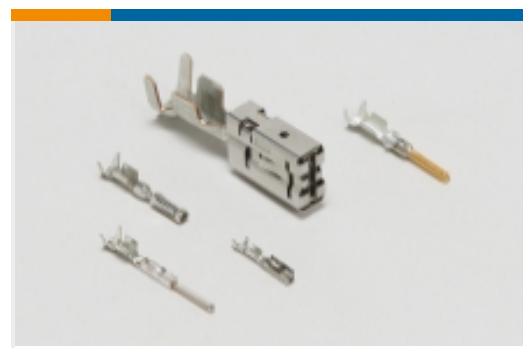


TE Part # 7-2151794-7
OCEAN_2.0_SPARE_PART_KIT-200F4300


Also in the Series | Maxi Power Timer



Automotive Housings(13)



Automotive Terminals(8)



Insertion & Extraction Tools(2)

Customers Also Bought



TE Part #1-1670894-1
8POS,AMP MCP2.8,REC HSG,ASSY



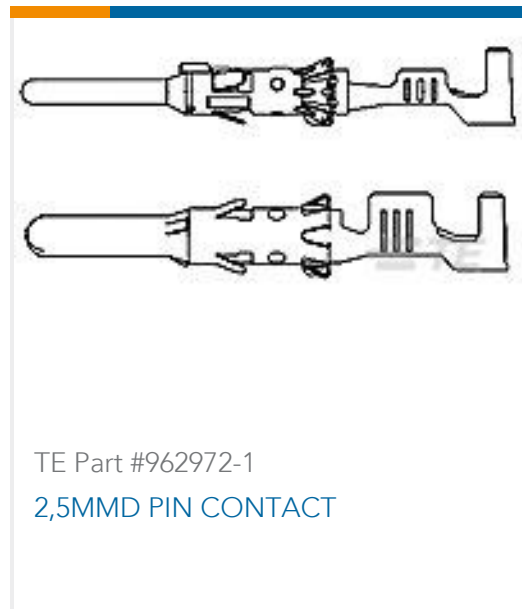
TE Part #1670057-1
COVER MIXED,90,CODA



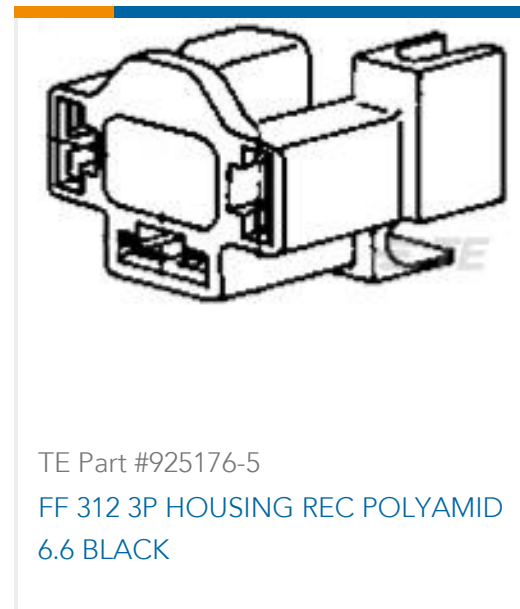
TE Part #180984-5
FASTON 250 BOOT FLAG NYLON BLK



TE Part #2-964294-1
TAB A 2.8x0.8 CONTACT CF SRC Sn



TE Part #962972-1
2,5MMD PIN CONTACT



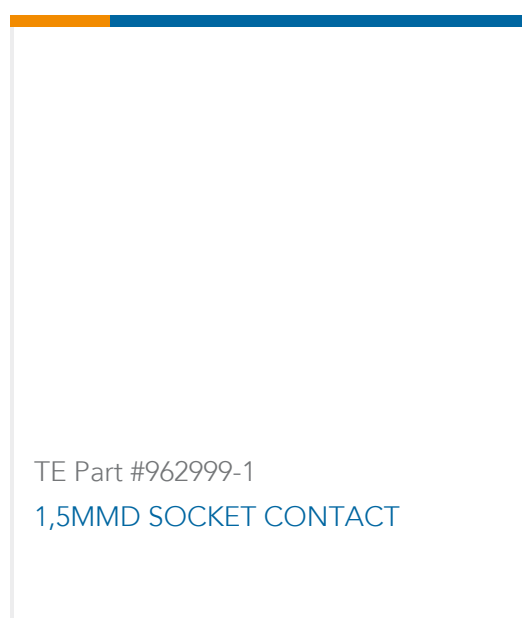
TE Part #925176-5
FF 312 3P HOUSING REC POLYAMID
6.6 BLACK



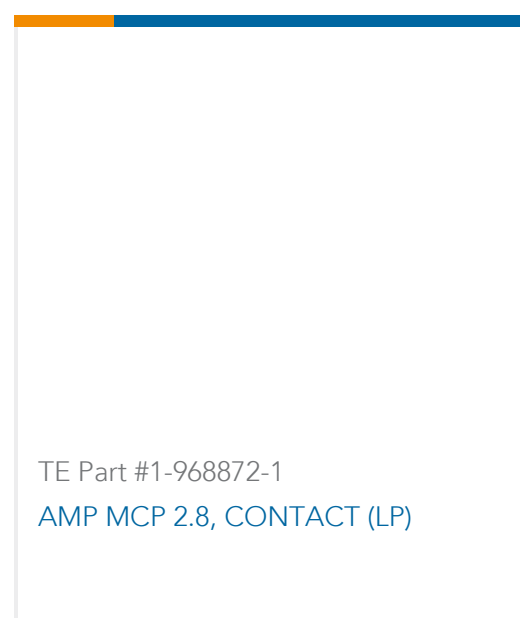
TE Part #925068
250 FASTON HSG. REC. 1P CLEAR



TE Part #963728-1
MOS PIN CONTACT SWS



TE Part #962999-1
1,5MMD SOCKET CONTACT



TE Part #1-968872-1
AMP MCP 2.8, CONTACT (LP)

Documents

Product Drawings

[MPT REC 9.5 Contact SWS Sn](#)

English

CAD Files

Customer View Model

[ENG_CVM_962938-1_A4.3d_igs.zip](#)

English

Customer View Model

[ENG_CVM_962938-1_A4.3d_stp.zip](#)

English

Customer View Model

[ENG_CVM_962938-1_A4.2d_dxf.zip](#)

English

[3D PDF](#)

English

By downloading the CAD file I accept and agree to the [Terms and Conditions](#) of use.

Datasheets & Catalog Pages



Timer Interconnection System

English

Product Specifications

Application Specification

German

Application Specification

English

Application Specification

English

Product Environmental Compliance

Product Compliance

English

Product Compliance

English