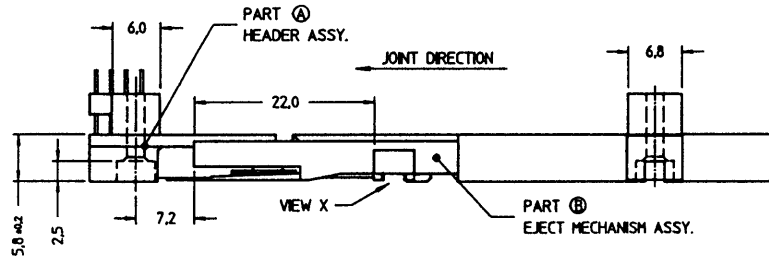
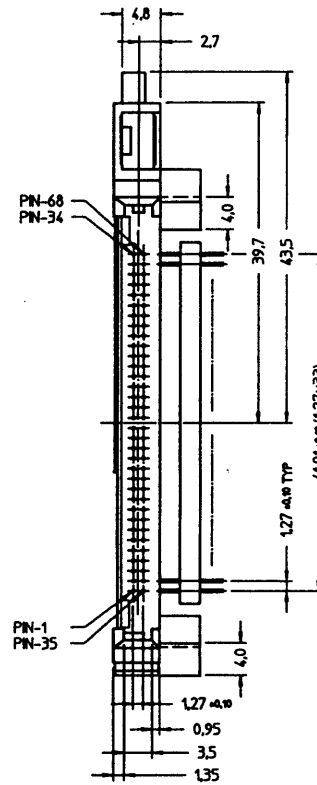
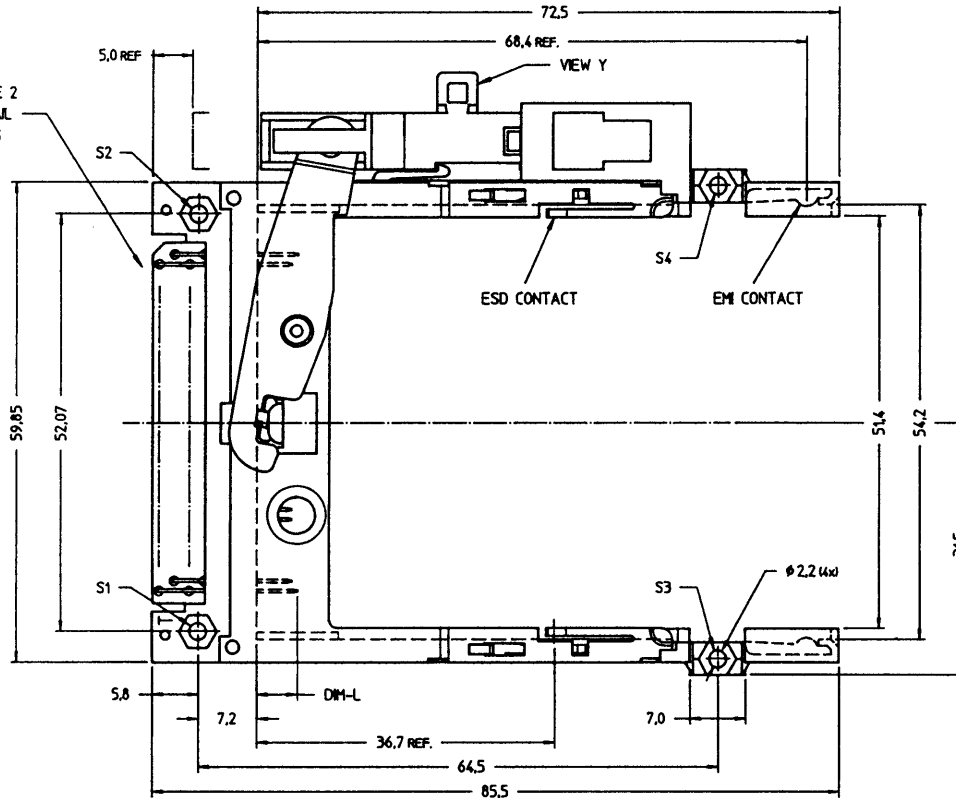


PRODUCT NO.
SEE TABLE

REV	DESCRIPTION	REVD BY	DATE
A	RLSD ECR-S30309	L T SOH	08SEP93
B	ECR-S40165	L T SOH	20SEP94



REFER TO PAGE 2
FOR SOLDER-TAIL
CONFIGURATIONS



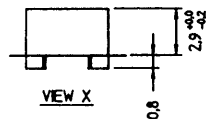
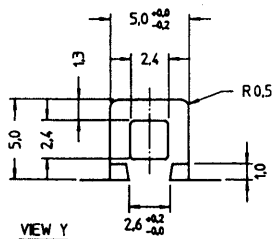
NOTE :

- EJECTION FORCE : 3.5Kg MAX.
- ASSEMBLY PROCESS :
 - MOUNT PART (A) ON PCB WITH M2-SIZE SCREWS AT S1 AND S2, THEN SOLDER.
 - JOIN PART (B) INTO PART (A), THEN FIX PART (A) WITH M2-SIZE SCREWS AT S3 AND S4.
- EJECT-BUTTON TRAVEL : 8 mm
CARD EJECTION : 4 mm
- MATERIAL :
 - PART (A)
 - HOUSING : LCP UL94V-0 BLACK
 - PIN : PHOSPHOR BRONZE
 - UNDERPLATE - 0.5um MIN. Ni
 - CONTACT AREA - 0.1um MIN. Au
 - OVER 0.5um MIN. Pd-Ni
 - SOLDER-TAIL - 2.5um MIN. Sn-Pb.
 - PART (B)
 - PLASTIC :
 - GUIDE - POLYPHTHARAMID UL94V-0 BLACK
 - PUSH-ROD - NYLON 6.6 UL94V-0 BLACK
 - STAND-OFF - PC/ABS ALLOY UL94V-0 Ni PLATING
 - PLATE : STAINLESS STEEL
 - EMI CONTACT : PHOSPHOR BRONZE WITH OVERALL Ni PLATING AND Au PLATING AT CONTACT AREA.


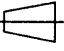
5. DIM-L :

PIN NO.	1, 17, 34 35, 51, 68	36, 67	OTHERS
DIM-L	5.0 ±0.1	3.5 ±0.1	4.25 ±0.1

(A), (B) HEADER ASSEMBLY AND EJECT MECHANISM ASSEMBLY
(A), (B) WILL BE PACKED SEPARATELY.



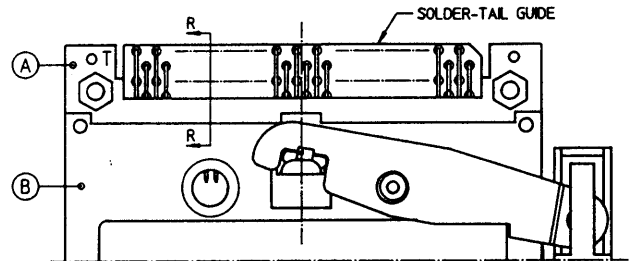
CUSTOMER COPY

GEN. TOLERANCES		DO NOT SCALE DWG. MM		BERG ELECTRONICS
± 0.3		 		
				DESCRIPTION
				68P EJECTOR HEADER ASSEMBLY FOR PCHGA/JEDA TYPE-1/II/III (TOP-MOUNT)
		NAME	DATE	PRODUCT NO. 92801
DRAWN	L T SOH	20SEP94		
CHECKED	<i>Signature</i>	<i>date</i>		
APPROVED	<i>Signature</i>	20 Sep 94		SCALE 1.5 : 1
				SHT 1 OF 2

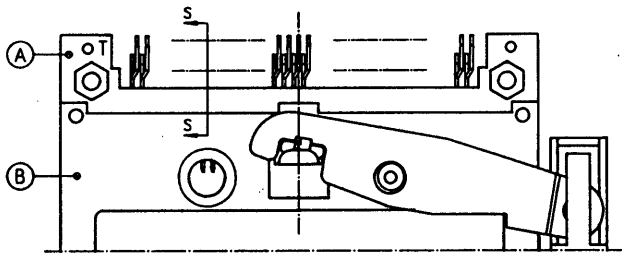
FINAL PRODUCT P/N	92801-010	92801-011	92801-012	92801-020	92801-030
HEADER ASSEMBLY P/N (A)	92140-000	92140-040	92140-020	92140-001	92140-002
EJECT MECHANISM ASSEMBLY P/N (B)	92800-110	92800-111	92800-112	92800-110	92800-110
SOLDER-TAIL CONFIGURATION	THROUGH-HOLE MOUNT	THROUGH-HOLE MOUNT	THROUGH-HOLE MOUNT	SMT (STAGGERED)	SMT (IN-LINE)
DM-H (STAND-OFF HEIGHT)	0	2,0	5,0	0	0
DM-N	2,8	2,5	2,8	N/A	N/A
SOLDER-TAIL GUIDE	NO	NO	YES	NO	NO
LOCATOR	NO	NO	NO	NO	YES

FOR OFFICIAL ORDERING, PLEASE QUOTE : (A) HEADER ASSEMBLY P/N (A) (B) EJECT MECHANISM ASSEMBLY P/N (B) (SEE NOTE (4))

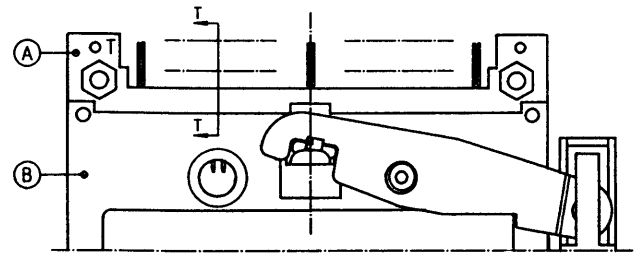
REV	DESCRIPTION	REV'D BY	DATE
A	RLSD ECR-530309	L T SOH	08SEP93
B	ECR-S40165	L T SOH	20SEP94



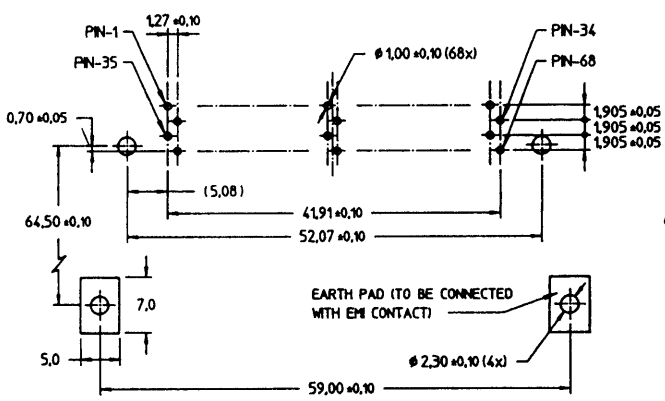
RIGHT-ANGLE THROUGH-HOLE MOUNT



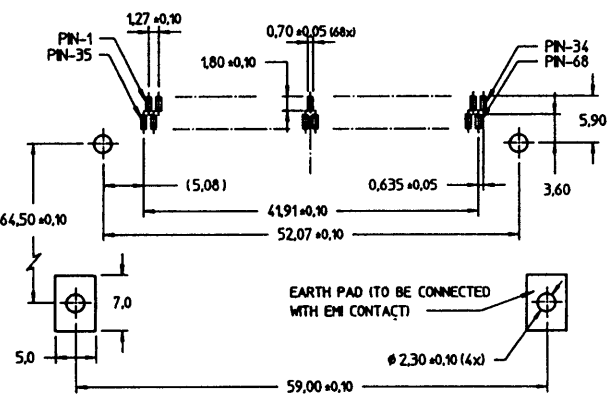
SURFACE MOUNT (STAGGERED)



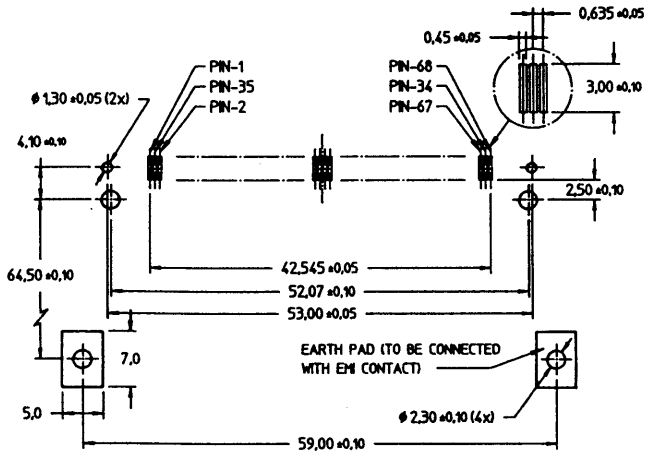
SURFACE MOUNT (IN-LINE)



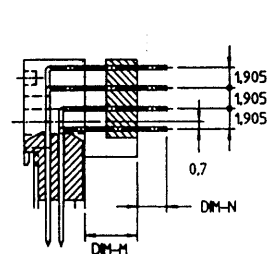
RECOMMENDED FOOT PRINT : R/A THROUGH-HOLE MOUNT (MOUNTED SIDE)



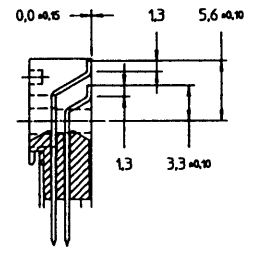
RECOMMENDED FOOT PRINT : SURFACE MOUNT (STAGGERED) (MOUNTED SIDE)



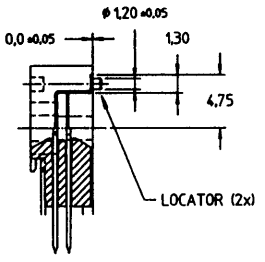
RECOMMENDED FOOT PRINT : SURFACE MOUNT (IN-LINE) (MOUNTED SIDE)



SECTION R-R (SCALE 2 : 1)



SECTION S-S (SCALE 2 : 1)



SECTION T-T (SCALE 2 : 1)

CUSTOMER COPY

GEN. TOLERANCES		DO NOT SCALE DWG.	
± 0,3		MM	
DRAWN	NAME	DATE	
CHECKED	<i>Chalk</i>	20SEP94	
APPROVED	<i>Chalk</i>	20SEP94	

BERG ELECTRONICS

DESCRIPTION
68P EJECTOR HEADER ASSEMBLY FOR PCMCIA/JEIDA TYPE-I/II/III (TOP-MOUNT)

PRODUCT NO. 92801

SCALE 15 : 1 SHT 2 OF 2