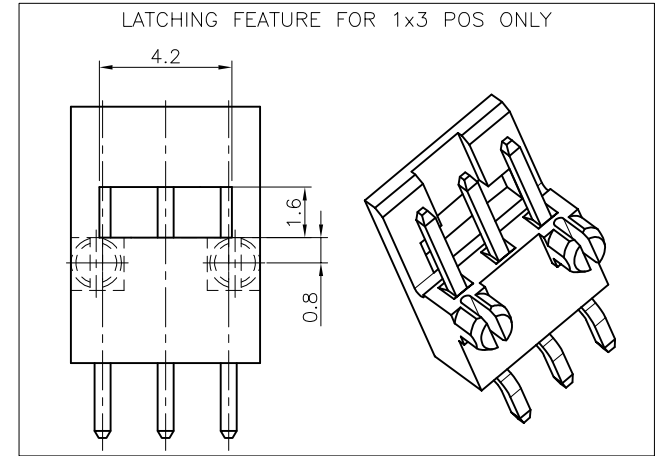
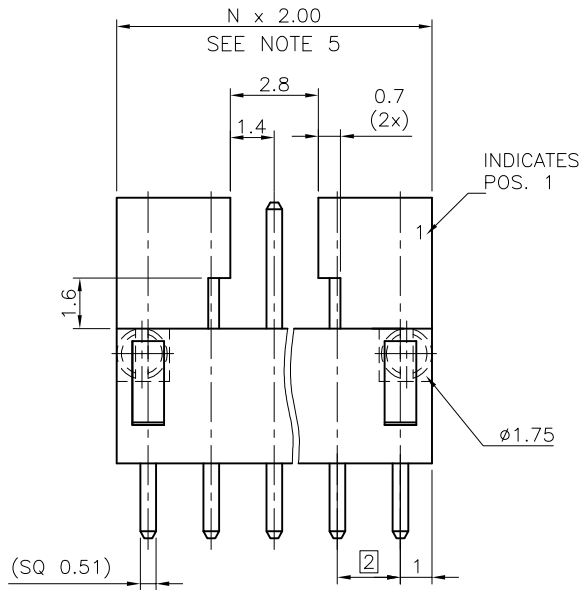


PRODUCT NUMBER
95000-XXXXLF

INDICATES THE PRODUCT IS RoHS
COMPATIBLE, SEE NOTE 6
PACKAGING TYPE, NOTE 3
TOTAL NB OF POSITIONS, 3 TO 17

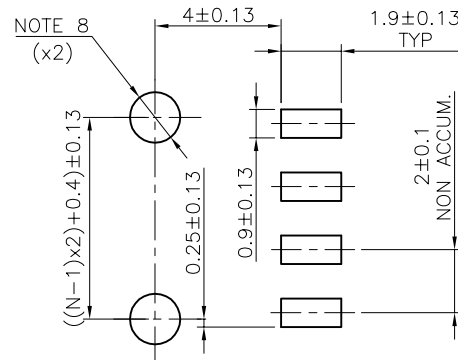
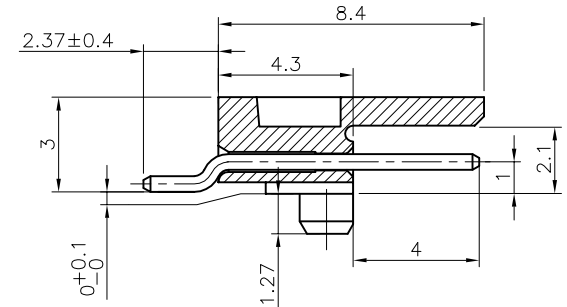
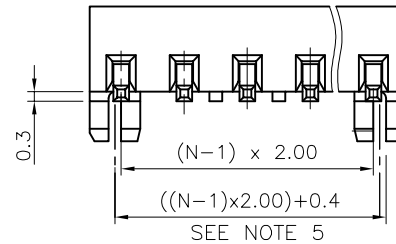
PLATING

- 0 = 0.20µm GOLD/GXT ON CONTACT AREA
2.0µm MIN MATTE TIN ON TAILS
- 1 = 0.76µm GOLD/GXT ON CONTACT AREA
2.0µm MIN MATTE TIN ON TAILS
- 3 = 0.38µm GOLD/GXT ON CONTACT AREA
2.0µm MIN MATTE TIN ON TAILS
- T = FULL MATTE TIN 2µm-5µm
UNDERPLATING 1.27µm Ni MIN



NOTES:

- 1 - HOUSING MAT'L : HIGH TEMPERATURE THERMOPLASTIC. UL94V-0 COLOR: CREAM
- 2 - PIN MATERIAL : COPPER ALLOY
- 3 - PACKAGING :
= POLY BAGS
T = TUBE, FROM 04 POS UP TO 17 POS
TR = TAPE & REEL SEE TA845 FOR PRODUCT AVAILABILITY
- 4 - 7N MIN RETENTION IN EITHER DIRECTION
- 5 - TO DETERMINE DIMENSIONS :
N = NUMBER OF POSITIONS
- 6 - RoHS COMPATIBLE PRODUCT SPECIFICATIONS
 - a - MANUFACTURING PROCESS COMPATIBILITY
- THE HOUSING WILL WITHSTAND EXPOSURE TO 260°C PEAK TEMPERATURE FOR 30 SECONDES MAX IN A CONVECTION, INFRA-RED OR VAPOR PHASE OR REFLOW OVEN.
 - b - LABELLING:
- MEETS PACKAGING SPECS AS PER GS-14-920
 - c - THIS PRODUCT MEETS EUROPEAN DIRECTIVES AND OTHER COUNTRY REGULATIONS AS DISCRIBED IN GS-47-0004
- 7 - HOLE DIMENSION TO BE $\phi 1.60 \pm 0.07$ FOR INTERFERENCE FIT APPLICATIONS
HOLE DIMENSION TO BE $\phi 1.95 \pm 0.07$ FOR NON INTERFERENCE FIT (LOCATIONAL) APPLICATIONS



RECOMMENDED PAD LAYOUT

mat'l. code		surface	tolerance	projection	product family
		ISO 1302	ISO 406 ISO 1101		MINITEK
ltr		tolerances unless otherwise specified		title	
J	F06-0193	LMU	06.06.105	MINITEK SMT HDR SR	
K	F07-0179	LMU	07.04.24	POLARIZATION & LATCHING	
L	F08-0145	ELA	17.04.08	scale 7:1	
M	F11-0023	JCO	11.02.07	dwg no	
N	B-15804	JCO	13.08.28	sheet 1 of 1 size	
P	B-16822	JCO	14.01.23	95000 A3	
		appd	JMC	type CUSTOMER Drawing	

sheet	revision																			
index	sheet																			