



Terminals & Splices > Automotive Terminals > TIMER, RECEPTACLE AND TAB



Terminal Type: **Tab**

Mating Tab Width: **6.3 mm [.248 in]**

Mating Tab Thickness: **.8 mm [.031 in]**

Terminal Transmits: **0 – 24 A (Low Power)**

Wire Size: **13 – 11 AWG**

[All TIMER, RECEPTACLE AND TAB \(344\)](#)

Features

Product Type Features

Sealable	Yes
Primary Locking Feature	Clean Body

Body Features

Terminal Seal Type	Single Wire Seal (SWS)
--------------------	------------------------

Contact Features

Contact Size	6.1mm
Contact Fabrication	Stamped & Formed
Crimp Type	F-Crimp
Terminal Type	Tab
Mating Tab Width	6.3 mm [.248 in]
Mating Tab Thickness	.8 mm [.031 in]
Interface Plating	Tin (Sn)



Contact Termination Area Plating Material	Tin (Sn)
---	----------

Termination Features

Termination Method to Wire & Cable	Crimp
Product Terminates To	Wire

Dimensions

Wire Size	2.5 – 4 mm ²
Wire Size Search	11 AWG, 12 AWG, 13 AWG
Tab Length	27 mm[1.06 in]

Usage Conditions

Insulation Option	Uninsulated
Operating Temperature (Max)	80 °C, 85 °C[176 °F][185 °F]
Operating Temperature Range	-40 – 85 °C[-40 – 185 °F]

Operation/Application

Compatible With Wire Base Material	Copper
------------------------------------	--------

Packaging Features

Packaging Method	Reel
Packaging Quantity	2500

Other

Customer Preferred Contact	No
Terminal Transmits	0 – 24 A (Low Power)

Product Compliance

[For compliance documentation, visit the product page on TE.com>](#)

EU RoHS Directive 2011/65/EU	Compliant
EU ELV Directive 2000/53/EC	Compliant
China RoHS 2 Directive MIIT Order No 32, 2016	No Restricted Materials Above Threshold
EU REACH Regulation (EC) No. 1907/2006	Current ECHA Candidate List: JUNE 2022 (224) Candidate List Declared Against: JAN 2022 (223) SVHC > Threshold: Not Yet Reviewed
Halogen Content	Low Halogen - Br, Cl, F, I < 900 ppm per homogenous material. Also BFR/CFR/PVC Free

Solder Process Capability

Not applicable for solder process capability

Product Compliance Disclaimer

This information is provided based on reasonable inquiry of our suppliers and represents our current actual knowledge based on the information they provided. This information is subject to change. The part numbers that TE has identified as EU RoHS compliant have a maximum concentration of 0.1% by weight in homogenous materials for lead, hexavalent chromium, mercury, PBB, PBDE, DBP, BBP, DEHP, DIBP, and 0.01% for cadmium, or qualify for an exemption to these limits as defined in the Annexes of Directive 2011/65/EU (RoHS2). Finished electrical and electronic equipment products will be CE marked as required by Directive 2011/65/EU. Components may not be CE marked. Additionally, the part numbers that TE has identified as EU ELV compliant have a maximum concentration of 0.1% by weight in homogenous materials for lead, hexavalent chromium, and mercury, and 0.01% for cadmium, or qualify for an exemption to these limits as defined in the Annexes of Directive 2000/53/EC (ELV). Regarding the REACH Regulation, the information TE provides on SVHC in articles for this part number is based on the latest European Chemicals Agency (ECHA) 'Guidance on requirements for substances in articles' posted at this URL: <https://echa.europa.eu/guidance-documents/guidance-on-reach>

Compatible Parts



TE Part # 2305570-1
TERMINAL CUTTER, SIDE FEED



TE Part # 2-2266639-1
OCEAN_2.0_Applicator-S-120F180OV



TE Part # 2-2266639-2
OCEAN_2.0_Applicator-S-120F180OVA



TE Part # 2141040-1
FUSE BOX ASSY,HARD WIRED,TYPE A 120F180OVA



TE Part # 2266639-1
OCEAN_2.0_Applicator-S-120F180OV



TE Part # 2266639-2
OCEAN_2.0_Applicator-S-120F180OVA



TE Part # 7-2266639-1
OCEAN_2.0_Applicator-S-120F180OV



TE Part # 7-2266639-2
OCEAN_2.0_Applicator-S-120F180OVA



KIT
REPRESENTATION ONLY

TE Part # 7-2266639-7
OCEAN_2.0_SPARE_PART_KIT-120F180OV

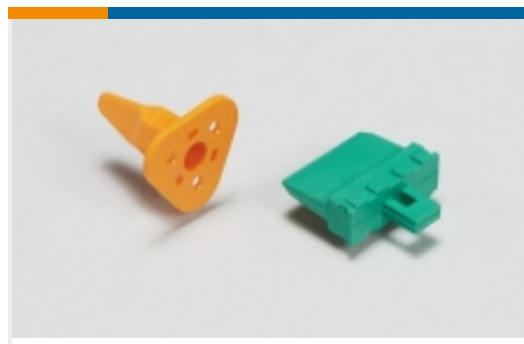


TE Part # 2141040-2
FUSE BOX ASSY,HARD WIRED,TYPE A

Also in the Series | [Timer Connector System](#)



Automotive Connector Caps & Covers (11)



Automotive Connector Locks & Position Assurance(16)



Automotive Housings(219)



Automotive Seals & Cavity Plugs(31)



Automotive Terminals(138)



Crimp Terminal Housings(13)



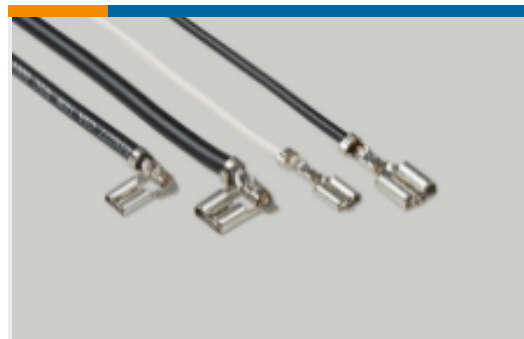
Insertion & Extraction Tools(20)



Other Automotive Connector Accessories(1)

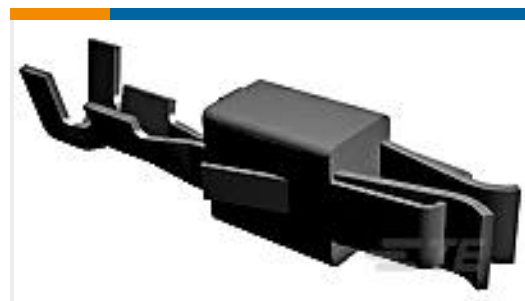


PCB Headers & Receptacles(78)



Quick Disconnects(4)

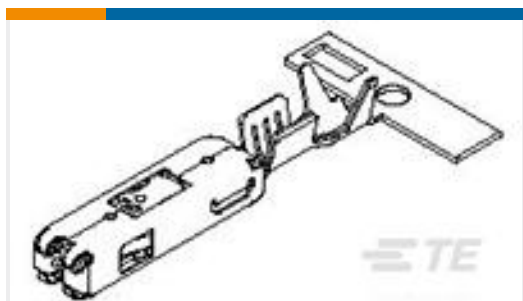
Customers Also Bought



TE Part #927771-6
JPT REC 2.8 Contact SRC Ag



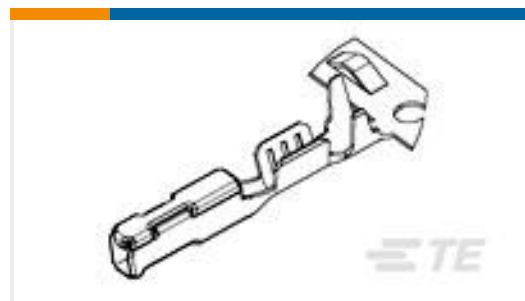
TE Part #1-1355877-1
AMP MCP 2.8, CONTACT LANCELESS



TE Part #1670326-1
1.5MM SFC,CONTACT



TE Part #1670249-2
70POS,MIXED,REC. HSG



TE Part #1456968-1
CONTACT,FEMALE, 0.64, 20 TO 22 AWG, AG



TE Part #184452-1
6 POS SSC PLUG ASSY, BLKD CKTS



TE Part #1801359-1
ADAPTER, ROTATIVE COVER FOR 3W CONN



TE Part #2141501-3
3POS,1.5MM SFC,REC HSG,ASSY, SEALED,GY



TE Part #2141502-1
2POS,1.5MM SFC,REC HSG,ASSY,
SEALED,BK



TE Part #2141502-3
2POS,1.5MM SFC,REC HSG,ASSY,
SEALED,GY

Documents

Product Drawings

FLAT TAB 5.8x0.8 CONTACT CF SWS

English

CAD Files

3D PDF

3D

Customer View Model

[ENG_CVM_CVM_963755-1_D.2d_dxf.zip](#)

English

Customer View Model

[ENG_CVM_CVM_963755-1_D.3d_igs.zip](#)

English

Customer View Model

[ENG_CVM_CVM_963755-1_D.3d_stp.zip](#)

English

By downloading the CAD file I accept and agree to the [Terms and Conditions](#) of use.

Datasheets & Catalog Pages

MFINITY Version AUT

English

Timer Interconnection System

English

MFINITY Modular Hard Wired Fuse and Relay Box

English