



Terminals & Splices > Quick Disconnects



Quick Disconnect Terminal Type: **Tab**

Wire Size: **404 – 1022 CMA**

Mating Tab Width: **2.8 mm [.11 in]**

Features

Product Type Features

Terminates To	Wire & Cable
Wire/Cable Type	Regular Wire
Sealable	No

Configuration Features

Connection Capacity	Single
---------------------	--------

Contact Features

Quick Disconnect Terminal Type	Tab
Mating Tab Width	2.8 mm[.11 in]
Mating Tab Thickness	.79 mm[.031 in]
Terminal Orientation	Straight
Contact Base Material	Copper Zinc Alloy
Terminal Plating Material	Tin
Crimp Type	F-Crimp
Barrel Type	Open

Mechanical Attachment



Mating Retention Type	Locking Lance
-----------------------	---------------

Locking Lance Height	1.2 mm[.047 in]
----------------------	-----------------

Dimensions

Accepts Wire Insulation Diameter Range	1.15 – 1.6 mm[.045 – .062 in]
--	-------------------------------

Overall Length	22.5 mm[.886 in]
----------------	------------------

Wire Size	404 – 1022 CMA
-----------	----------------

Usage Conditions

Insulation Option	Uninsulated
-------------------	-------------

Operating Temperature Range	-40 – 130 °C[-40 – 266 °F]
-----------------------------	----------------------------

Packaging Features

Packaging Quantity	5000
--------------------	------

Packaging Method	Reel
------------------	------

Product Compliance

[For compliance documentation, visit the product page on TE.com>](#)

EU RoHS Directive 2011/65/EU	Compliant
------------------------------	-----------

EU ELV Directive 2000/53/EC	Compliant
-----------------------------	-----------

China RoHS 2 Directive MIIT Order No 32, 2016	No Restricted Materials Above Threshold
---	---

EU REACH Regulation (EC) No. 1907/2006	Current ECHA Candidate List: JUNE 2022 (224) Candidate List Declared Against: JAN 2022 (223) SVHC > Threshold: Not Yet Reviewed
--	--

Halogen Content	Low Halogen - Br, Cl, F, I < 900 ppm per homogenous material. Also BFR/CFR/PVC Free
-----------------	---

Solder Process Capability	Not applicable for solder process capability
---------------------------	--

Product Compliance Disclaimer

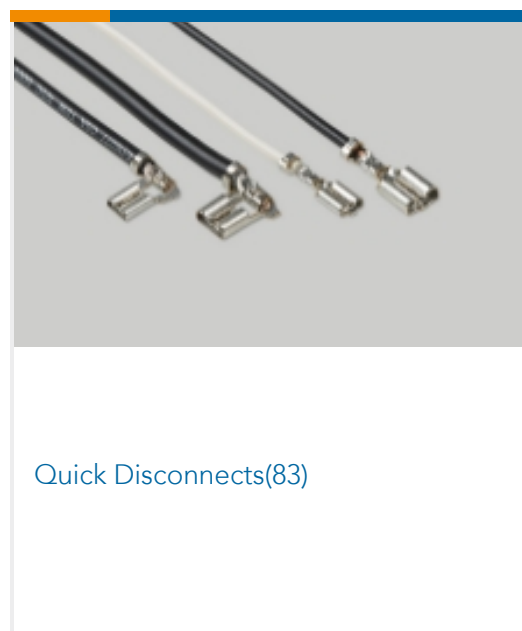
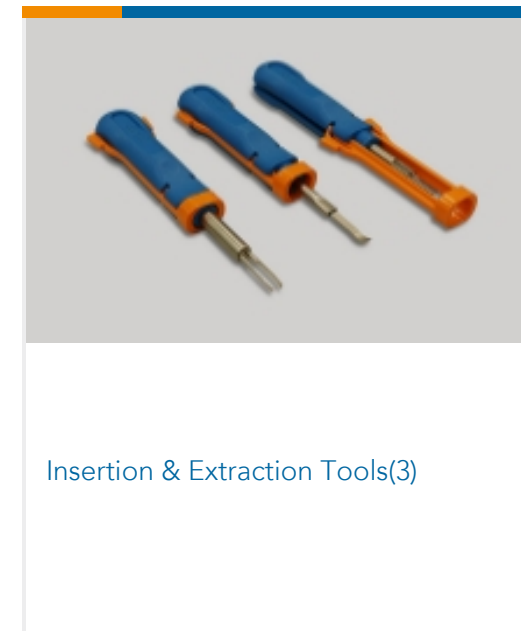
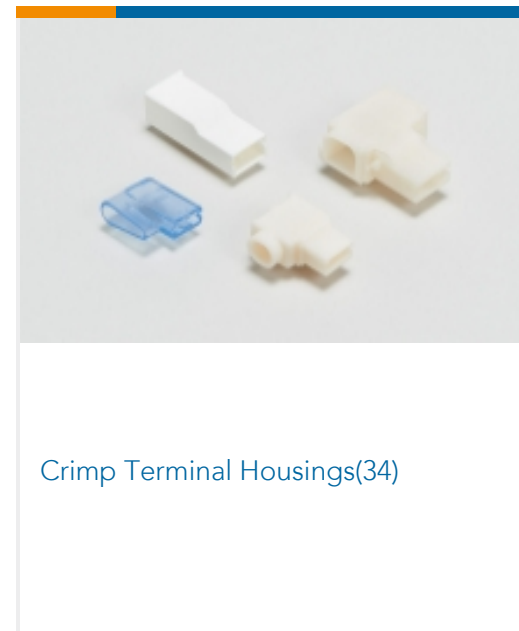
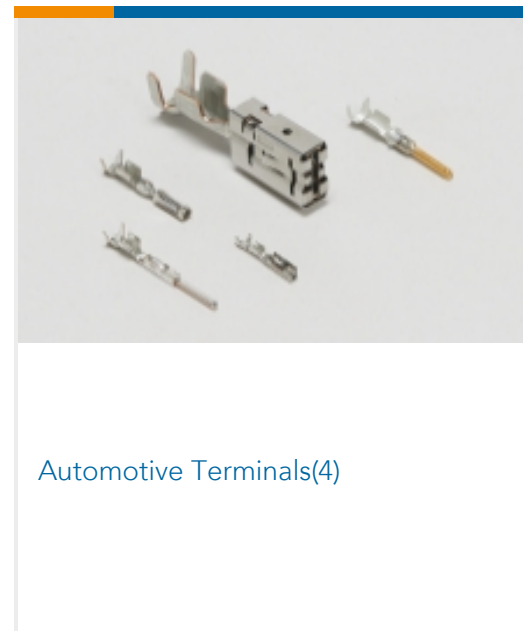
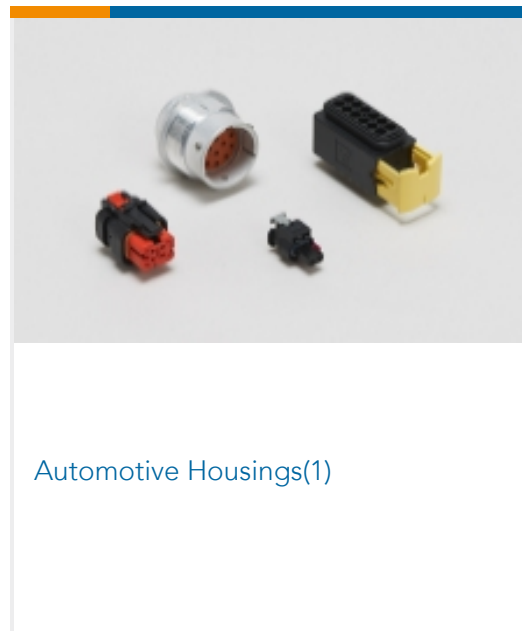
This information is provided based on reasonable inquiry of our suppliers and represents our current actual knowledge based on the information they provided. This information is subject to change. The part numbers that TE has identified as EU RoHS compliant have a maximum concentration of 0.1% by weight in homogenous materials for lead, hexavalent chromium, mercury, PBB, PBDE, DBP, BBP, DEHP, DIBP, and 0.01% for cadmium, or qualify for an exemption to these limits as defined in the Annexes of Directive 2011/65/EU (RoHS2). Finished electrical and electronic equipment products will be CE marked as required by Directive 2011/65/EU. Components may not be CE marked. Additionally, the part numbers that TE has identified as EU ELV compliant have a maximum concentration of 0.1% by weight in homogenous materials for lead, hexavalent chromium, and mercury, and 0.01% for cadmium, or qualify for an exemption to these limits as defined in the Annexes of Directive 2000/53/EC (ELV). Regarding the REACH Regulation, the information TE provides

on SVHC in articles for this part number is based on the latest European Chemicals Agency (ECHA) 'Guidance on requirements for substances in articles' posted at this URL: <https://echa.europa.eu/guidance-documents/guidance-on-reach>

Compatible Parts



Also in the Series | FASTIN-FASTON 110



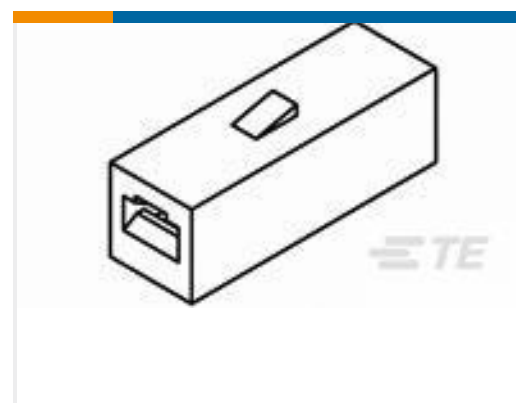
Customers Also Bought



TE Part #929505-7
TIMER, CONNECTOR HOUSING



TE Part #1-353715-2
DYNAMIC D-3 REC CONT. 3L AU 0.38



TE Part #626062
FASTIN-ON HOUSING REC PA66
NATURAL



TE Part #350551-6
UMNL SOK 20-14 AU/PHBZ L/P



TE Part #928794-2
FF 110 TAB PTP CUZN30



TE Part #927892-1
FF 110 TAB 0.5-1 MM2 PTP CUSN30



TE Part #928781-2
FF 110 TAB 1.0-2.5 MM2 PTP CUZN30



TE Part #965927-1
SPLICE F DRAHT+FFC

Documents

Product Drawings

[FF 110 TAB 0.2-0.5MM2 .070 F PTP CUZN30](#)

English

CAD Files

[3D PDF](#)

3D

Customer View Model

[ENG_CVM_CVM_963961-2_D.2d_dxf.zip](#)

English

Customer View Model

[ENG_CVM_CVM_963961-2_D.3d_igs.zip](#)

English

Customer View Model

[ENG_CVM_CVM_963961-2_D.3d_stp.zip](#)

English

By downloading the CAD file I accept and agree to the [Terms and Conditions](#) of use.

Product Specifications

[2,8 mm Flachstecker](#)

English

[Application Specification](#)

English

Product Environmental Compliance

[TE Material Declaration](#)

English

