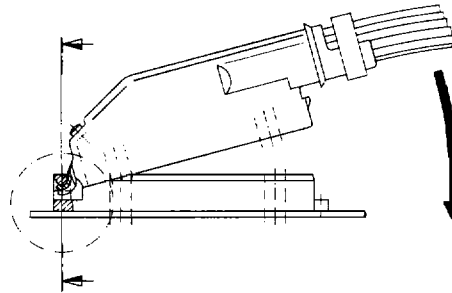


METRIC

Additional Timer Housings

Pivot Principle

In order to connect high position connectors, there are two methods: pivot principle (sequential connection spread over an angle) or through the use of a insertion/extraction tool which allows parallel connection of male and female connectors.



12, 15, and 16 Position Housings

12 Position

Part No. 827603-1

Mates with—

Part No. 827229

Note: 16 Pos. Housing Dim. (Typ.)—64.5 [2.54] L x 16.5 [0.65] W x 22.0 [0.87] H

15 Position

Part No. 926171-1 (black)

Part No. 926171-2 (yellow)

Mates with—

Part No. 826703

Part No. 827467



16 Position

Part No. 827584-1 (black)

Part No. 827584-2 (yellow)

Mates with—

Part No. 827539

Part No. 828662

25 Position Housings

25 Position

Part No. 925470-1 (black)

Part No. 925470-2 (yellow)

Mates with—

Part No. 826140

Note: Housing Dim. (Typ.)—79.6 [3.13] L x 11.7 [0.46] W x 22.0 [0.87] H

25 Position

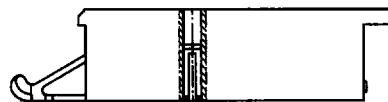
Part No. 925471-1 (black)

Part No. 925471-2 (yellow)

Mates with—

Part No. 826141

Part No. 826195



METRIC

Additional Timer Housings

(Continued)

25 Position Housings

(Continued)

Note: Housing Dim. (Typ.)—150.3 [5.92] L x 28.5 [1.12] W x 41.0 [1.61] H

25 Position

Part Numbers:

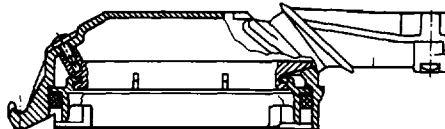
827249-1 without Strain Relief

827249-2 with Strain Relief

827249-3 with Strain Relief

827249-4 with Strain Relief

827047-1



For Junior-Power-Timer Contacts

Part No. 963317-1

Mates with—

Part No. 827050

Part No. 827019

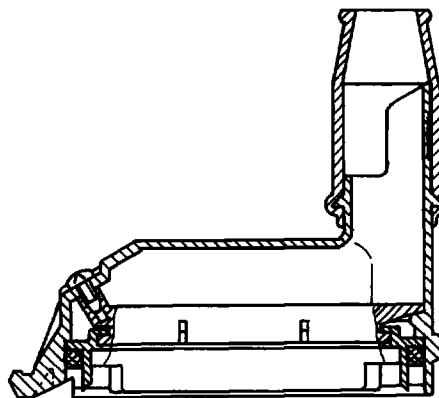
25 Position

Part No. 963325-1

Mates with—

Part No. 827050

Part No. 827019



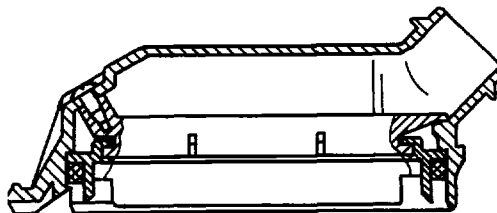
25 Position

Part No. 827591-1

Mates with—

Part No. 827050

Part No. 827019



METRIC

Additional Timer Housings

(Continued)

25 Position Housings

(Continued)

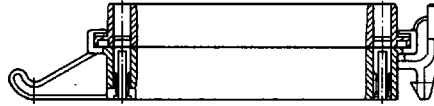
25 Position

Part No. 827534-1

Mates with—

Part No. 827535

Note: Housing Dim. (Typ.)—88.0 [3.46] L x 16.2 [0.64] W x 22.0 [0.87] H



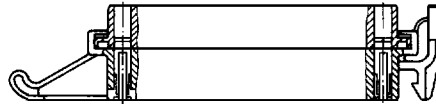
25 Position

Part No. 827553-1

Mates with—

Part No. 342651

Note: Housing Dim. (Typ.)—88.0 [3.46] L x 16.2 [0.64] W x 22.0 [0.87] H



Additional Coding

Part No. 828923

Mates with—

Part No. 344529

35 Position Housings

35 Position

Part No. 826000-1

Part No. 826000-2

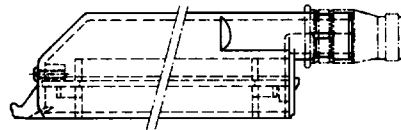
Part No. 826000-3

Part No. 826000-4

Part No. 826000-5

Part No. 826000-6

Note: Housing Dim. (Typ.)—149.5 [5.89] L x 29.0 [1.14] W x 39.0 [1.54] H



For Junior-Power-Timer Contacts

Part No. 963318-1

Part No. 963318-2

Part No. 963318-3

Part No. 963318-4

Mates with—

Part No. 825213

Part No. 828822

Part No. 827408

Part No. 827398

Part No. 826115

Part No. 827399

Note: Housing Dim. (Typ.)—151.1 [5.94] L x 25.0 [0.98] W x 39.0 [1.54] H



35 Position

Part No. 827663

Mates with—

Part No. 825213

Part No. 828822

Part No. 827408

Part No. 827398

Part No. 826115

Part No. 827399

Color	Part Numbers	
	Assembly	Connector Housing
Red	827663-1	927555-1
White	827663-2	927556-1
Blue	827663-3	927557-1
Red	827663-4	927558-1
Natural	827663-5	928556-1
Black	827663-6	928557-1
Black	827663-7	929556-1

Note: For more information on coding, consult AMP.

METRIC

Additional Timer Housings

(Continued)

Note: Housing Dim. (Typ.)—168.0 [6.61] L x 25.0 [0.98] W x 47.0 [1.85] H

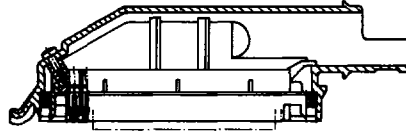
35 Position Housings

(Continued)

35 Position Housing with Round Cable Exit

Mates with—

- Part No. 825213
- Part No. 828822
- Part No. 827408
- Part No. 827398
- Part No. 826115
- Part No. 827399



Part Numbers	
Assembly	Connector Housing
963061-1	962075-1
963062-1	962076-1
828860-1	929565-1
3-827257-0	927122-1
963060-1	962074-1
963059-1	962073-1
963043-1	962072-1
828880-1	929644-1
828826-1	929536-1
1-827257-4	928688-1
1-827257-3	928612-1
1-827257-2	928611-1
1-827257-1	927539-1
1-827257-0	927538-1

Part Numbers	
Assembly	Connector Housing
827257-9	927434-1
1-827257-8	927391-1
827257-8	927391-1
1-827257-7	927391-1
827257-7	927391-1
1-827257-6	927370-1
827257-6	927370-1
827257-5	927229-1
827257-4	927127-1
827257-3	927120-1
827257-2	927118-1
827257-1	927060-1

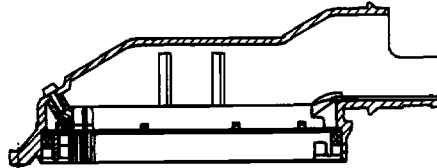
Rubber Boot Part No. 826779

35 Position Housing with Oval Cable Exit

Mates with—

- Part No. 825213
- Part No. 828822
- Part No. 827408
- Part No. 827398
- Part No. 826115
- Part No. 827399

Note: Housing Dim. (Typ.)—163.0 [6.42] L x 25.0 [0.98] W x 58.0 [2.28] H



Part Numbers	
Assembly	Connector Housing
828536-1	928165-1
828459-1	928165-1
828534-1	928136-1
828397-1	928136-1
828396-1	928137-1
828535-1	928137-1

Note: For more information on coding, consult AMP.

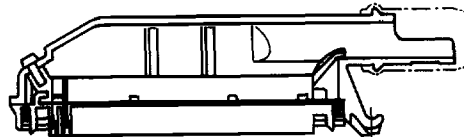
35 Position Housing

- Part No. 828632-1
- Part No. 828632-3
- Part No. 828633-1
- Part No. 828633-3

Mates with—

- Part No. 825213
- Part No. 828822
- Part No. 827408
- Part No. 827398
- Part No. 826115
- Part No. 827399

Note: Housing Dim. (Typ.)—158.0 [6.22] L x 25.0 [0.98] W x 40.0 [1.57] H



METRIC

Additional Timer Housings

(Continued)

35 Position Housings

(Continued)

35 Position Housing

Part No. 828699

Mates with—

Part No. 825213

Part No. 828822

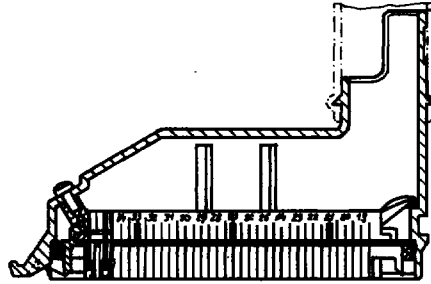
Part No. 827408

Part No. 827398

Part No. 826115

Part No. 827399

Note: Housing Dim. (Typ.)—125.0 [4.92] L x 25.0 [0.98] W x 85.0 [3.35] H



Part Numbers	
Assembly	Connector Housing
828699-1	928615-1
828699-2	928615-2
828699-3	928615-3
828699-4	928615-4
828699-5	928615-5
828699-6	928615-6
828699-7	928681-1

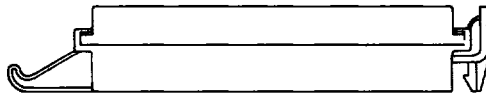
35 Position Housing

Part No. 827667-1

Mates with—

Part No. 827137

Note: Housing Dim. (Typ.)—113.0 [4.45] L x 16.2 [0.67] W x 22.0 [0.87] H



38 Position Housing

Part No. 828808-1

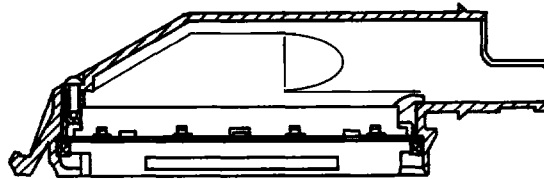
Part No. 828808-2

Part No. 828808-3

Mates with—

Part No. 827698

Part No. 828989



39 Position Housing

Part No. 828771-1

Mates with—

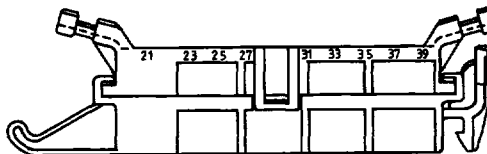
Part No. 828772

Part No. 828773

Part No. 963578

Part No. 963574

Note: Housing Dim. (Typ.)—88.0 [3.46] L x 11.4 [0.45] W x 22.0 [0.87] H



METRIC

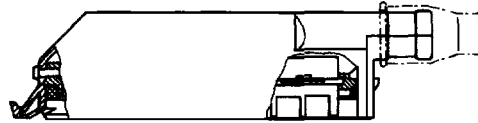
Additional Timer Housings (Continued)

55 Position Housings

Note: Housing Dim. (Typ.)—149.5 [5.89] L x 25.0 [0.98] W x 39.0 [1.54] H

55 Position Housing
Part No. 828761-1
(8 x Junior-Power-Timer,
47 x Micro-Timer I)

Mates with—
Part No. 828763



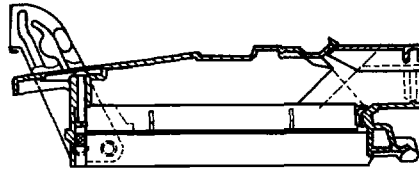
55 Position Housing
Part No. 963534

Coding 8:
Part No. 963534-1

Coding 12:
Part No. 1-963534-1

Note: For more information on codings,
consult AMP.

Mates with—
Part No. 142723-2 with
Part No. 142719-2
Part No. 963063

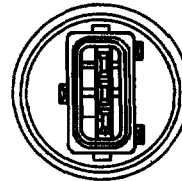


Male Connectors, Single Row and Double Row

Note: Housing Dim. (Typ.)—30.4 [1.20] Dia. x 32.0 [1.26] L

3 Position
Part No. 827404-1

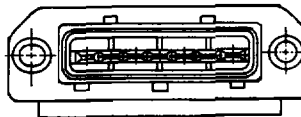
Mates with—
Part No. 827578
Part No. 282191



7 Position
Part No. 827405-1
(90° Solder Leg Exit)
Part No. 827405-2
(180° Solder Leg Exit)

Mates with—
Part No. 827216
Part No. 827572
Part No. 827580
Part No. 828918
Part No. 282194

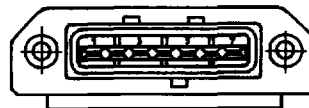
Note: Housing Dim. (Typ.)—65.0 [2.56] L x 26.0 [1.02] W x 19.0 [0.75] H



7 Position
Part No. 828945-1

Mates with—
Part No. 828919

Note: Housing Dim. (Typ.)—65.0 [2.56] L x 26.0 [1.02] W x 19.0 [0.75] H

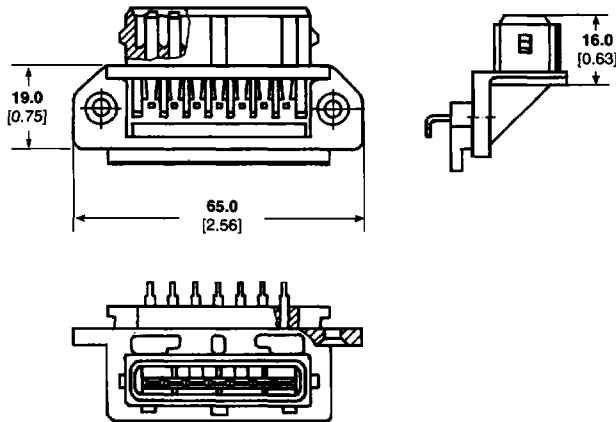


METRIC

Male Connectors, Single Row and Double Row (Continued)

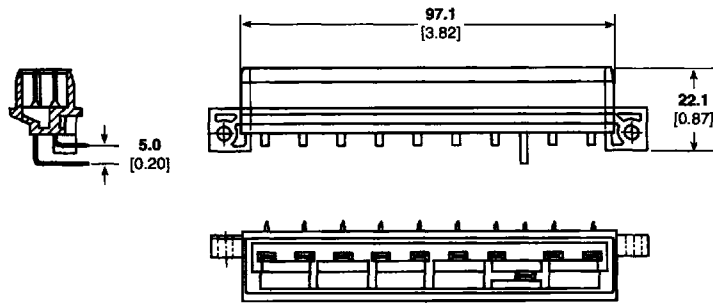
7 Position
Part No. 827658-1

Mates with—
Part No. 827216
Part No. 827572
Part No. 827580
Part No. 828918
Part No. 282194



10 Position
Part No. 827398-1

Mates with—
Part No. 826000
Part No. 963318
Part No. 827663
Part No. 827257
Part No. 828632
Part No. 828633
Part No. 828699
Part No. 282195
Part No. 282197



12 Position
Part No. 827229-1 (black)
Brass, tin plated

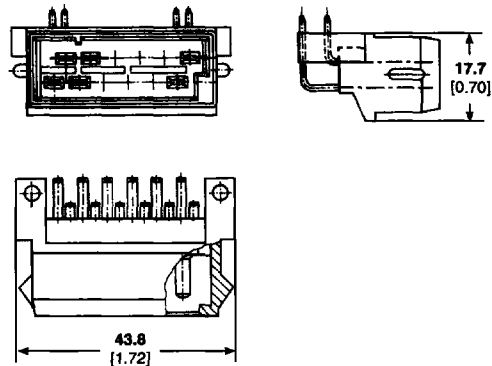
Part No. 827229-2 (black)
Brass, silver plated

Part No. 827229-3 (black)
Brass, gold plated

Part No. 827229-4 (brown)
Brass, tin plated

Part No. 827229-5 (black)
Brass, pre-tin plated

Mates with—
Part No. 827603

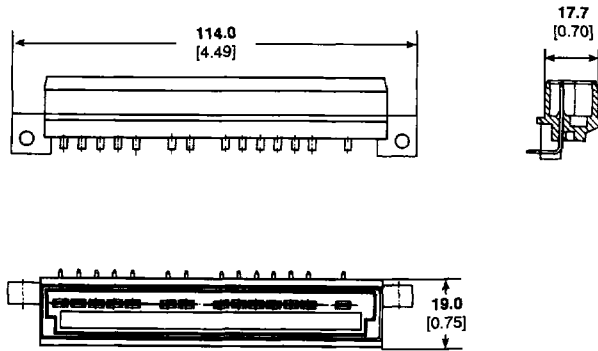


METRIC

Male Connectors, Single Row and Double Row
(Continued)

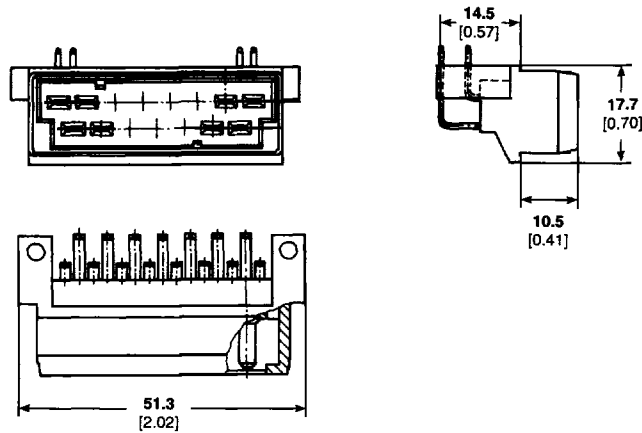
14 Position
Part No. 826115-1
(Selective Loading, Single Row)
Brass, tin plated

Mates with—
Part No. 826000
Part No. 963318
Part No. 827663
Part No. 827257
Part No. 828632
Part No. 828633
Part No. 828699
Part No. 282195
Part No. 282197



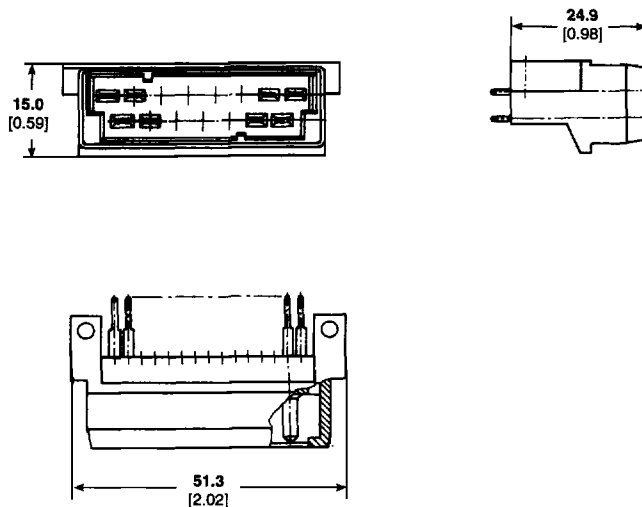
15 Position
Part No. 826703-1 (black)
Brass, tin plated
Part No. 826703-2 (black)
Brass, silver plated
Part No. 826703-3 (blue)
Part No. 826703-4 (yellow)
Part No. 2-826703-1 (black)

Mates with—
Part No. 926171
Part No. 282199



15 Position
Part No. 827467-1 (black)
Part No. 827467-2 (yellow)

Mates with—
Part No. 926171
Part No. 282199



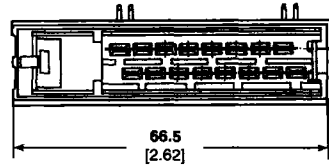
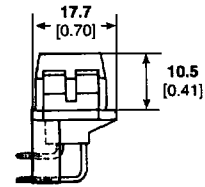
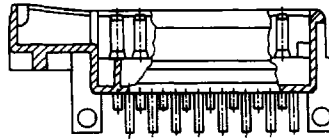
Blade-Type Connectors
AMP Timer Connectors

METRIC

Male Connectors, Single Row and Double Row (Continued)

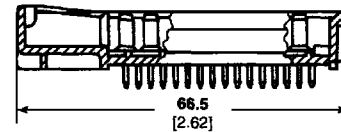
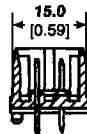
16 Position
Part No. 827539-1 (black)
Brass, tin plated

Mates with—
Part No. 827584



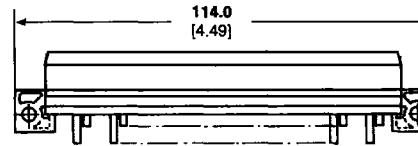
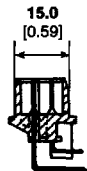
16 Position
Part No. 828662-1

Mates with—
Part No. 827584



18 Position
Part No. 827399-1

Mates with—
Part No. 826000
Part No. 963318
Part No. 827663
Part No. 827257
Part No. 828632
Part No. 828633
Part No. 828699
Part No. 282195
Part No. 282197



25 Position
3.1 [.122] Mounting Hole Dia.
Part No. 826140-1 (black)
Brass, tin plated

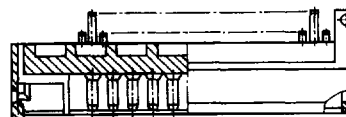
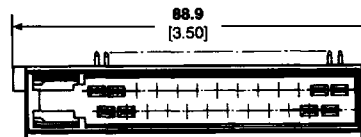
Part No. 826140-2 (yellow)
Brass, tin plated

Part No. 826140-3 (green)
Brass, tin plated

Part No. 826140-4 (brown)
Brass, tin plated

Part No. 826140-5 (black)
Brass, silver plated

Mates with—
Part No. 925470



METRIC

Male Connectors, Single Row and Double Row (Continued)

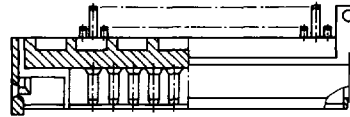
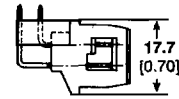
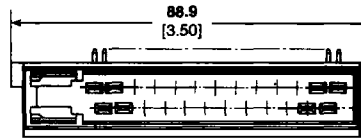
25 Position
4.1 [.161] Mounting Hole Dia.
Part No. 826141-1 (black)
Brass, tin plated

Part No. 826141-2 (yellow)
Brass, tin plated

Part No. 826141-3 (black)
Brass, silver plated

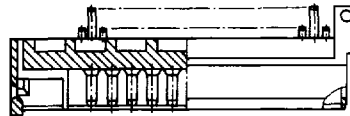
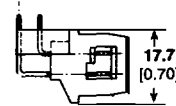
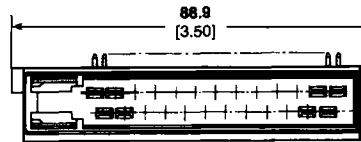
Part No. 826141-4 (yellow)
Brass, silver plated

Mates with—
Part No. 925471



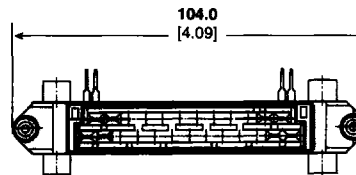
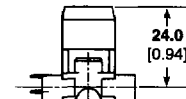
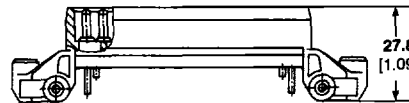
25 Position
Part No. 826195-1 (black)
Brass, tin plated
Part No. 826195-2 (yellow)
(Same as **Part No. 826140** but
different keying)

Mates with—
Part No. 925471



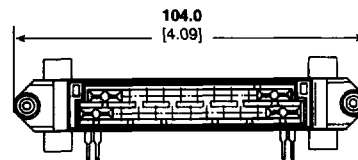
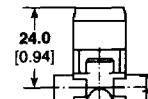
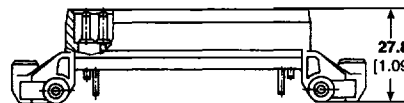
25 Position
Part No. 827050-1 (black)
Brass, tin plated
Part No. 827050-2 (black)
Brass, gold plated
Part No. 2-827050-1 (black)
(with center plate)

Mates with—
Part No. 827249
Part No. 827047
Part No. 963317
Part No. 963325
Part No. 827591
Part No. 281810



25 Position
Part No. 827019-1
Brass, tin plated

Mates with—
Part No. 827249
Part No. 827047
Part No. 963317
Part No. 963325
Part No. 827591
Part No. 281810



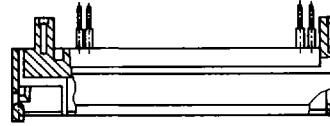
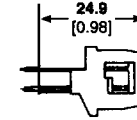
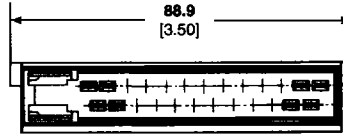
5
Blade-Type Connectors
AMP Timer Connectors

Male Connectors, Single Row and Double Row (Continued)

METRIC

25 Position
Part No. 827468-1 (black)
 Brass, tin plated

Mates with—
Part No. 925470



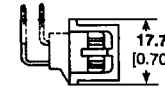
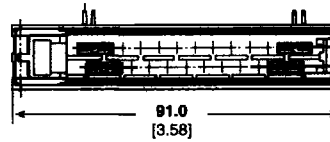
25 Position
Part No. 827535-1 (black)
 Brass, tin plated
Part No. 827535-2 (yellow)
Part No. 827535-3 (black)
Part No. 827535-4 (black)
Part No. 1-827535-2 (black)
Part No. 2-827535-2 (black)

Part No. 342650-1
 Brass, tin plated
Part No. 342650-2
 Brass, pre-tin plated

Mates with—
Part No. 827534

Additional Coding
 (yellow)
Part No. 342651-1

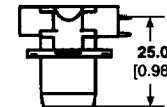
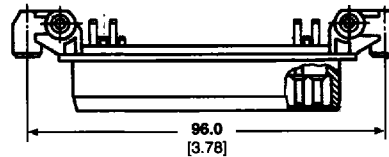
Mates with—
Part No. 827553
Part No. 344529-1
Part No. 828923



Blade-Type Connectors
 AMP Timer Connectors

25 Position
Part No. 828661-1

Mates with—
Part No. 827249
Part No. 827047
Part No. 963317
Part No. 963325
Part No. 827591
Part No. 261810



METRIC

Male Connectors, Single Row and Double Row (Continued)

35 Position

Part No. 828822-1 (black)
 Brass, tin plated

Part No. 828822-2 (black)
 Brass, silver plated

Part No. 828822-3 (black)
 Brass, gold plated

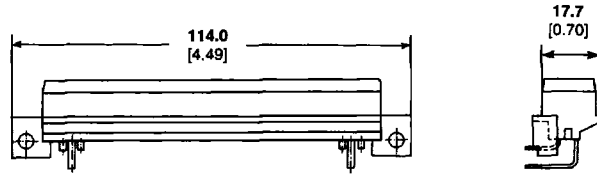
Part No. 828822-5 (black)
 Brass, tin plated

Part No. 828822-6 (blue)
 Brass, silver plated

**Stitched Version of
 Part No. 825213**

Mates with—

- Part No. 826000
- Part No. 963318
- Part No. 827663
- Part No. 827257
- Part No. 828632
- Part No. 828633
- Part No. 828699
- Part No. 282195
- Part No. 282197



35 Position

Part No. 825213-1 (black)

Part No. 825213-2 (black)

Part No. 825213-3 (black)

Part No. 1-825213-5 (black)

Part No. 2-825213-1 (black)

Brass, tin plated

Part No. 2-825213-2 (black)

Brass, silver plated

Part No. 2-825213-3 (black)

Brass, gold plated

Part No. 2-825213-5 (black)

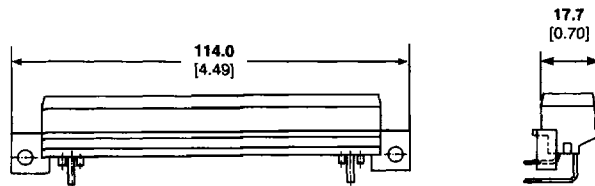
Brass, tin plated

Part No. 2-825213-6 (blue)

Part No. 3-825213-1 (black)

Mates with—

- Part No. 826000
- Part No. 963318
- Part No. 827663
- Part No. 827257
- Part No. 828632
- Part No. 828633
- Part No. 828699
- Part No. 282195
- Part No. 282197



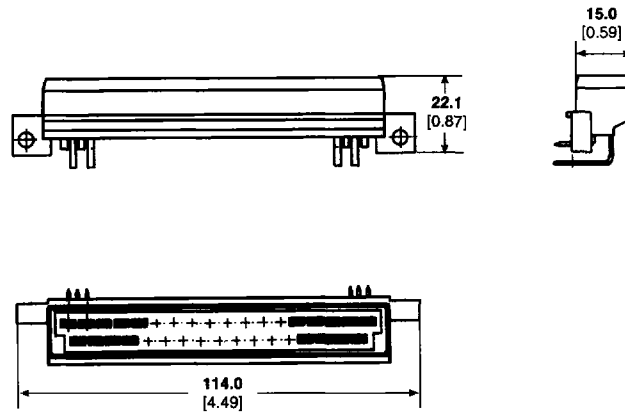
15
 Blade-Type Connectors
 AMP Timer Connectors

METRIC

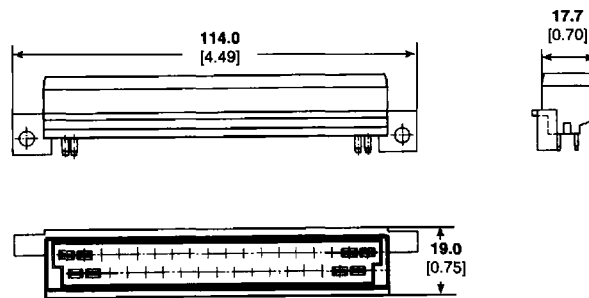
Male Connectors, Single Row and Double Row (Continued)

35 Position
Part No. 827408-1
 (Same as Part No. 825213, but with 4.2 [.165] Mounting Hole Diameter)

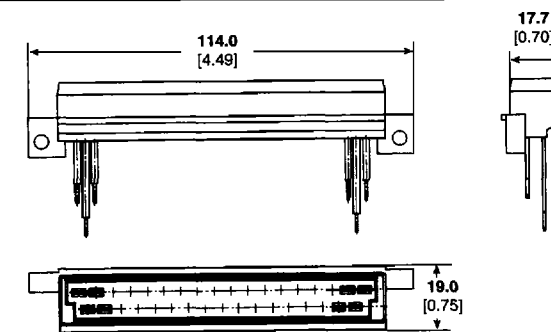
Mates with—
Part No. 826000
Part No. 963318
Part No. 827663
Part No. 827257
Part No. 828632
Part No. 828633
Part No. 828699
Part No. 282195
Part No. 282197



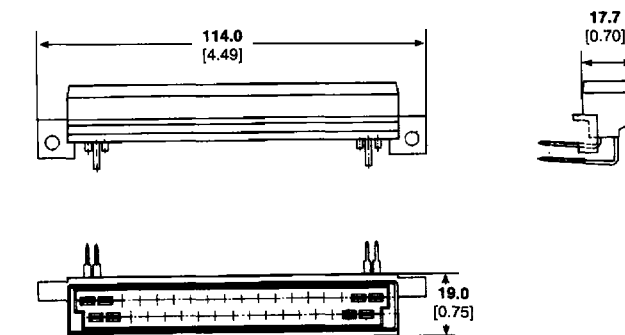
35 Position
Part No. 827254-1 (black)
 Brass, tin plated



35 Position
Part No. 826822-1 (black)
 Brass, tin plated



35 Position
Part No. 826611-1 (black)
 Brass, tin plated



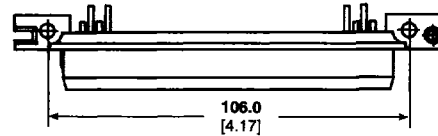
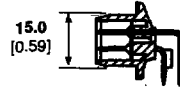
6
 Blade-Type Connectors
 AMP Timer Connectors

METRIC

Male Connectors, Single Row and Double Row (Continued)

35 Position
Part No. 827657-1

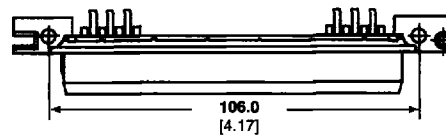
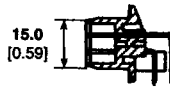
Mates with—
Part No. 826000
Part No. 963318
Part No. 827663
Part No. 827257
Part No. 828632
Part No. 828633
Part No. 828699
Part No. 282195
Part No. 282197



35 Position
Part No. 828823-1

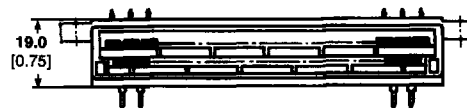
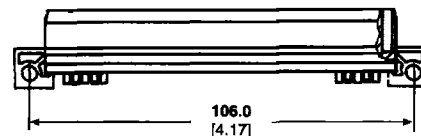
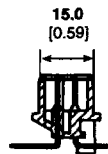
Stitched Version of
Part No. 827657

Mates with—
Part No. 826000
Part No. 963318
Part No. 827663
Part No. 827257
Part No. 828632
Part No. 828633
Part No. 828699
Part No. 282195
Part No. 282197



35 Position
Part No. 963183-1

Mates with—
Part No. 826000
Part No. 963318
Part No. 827663
Part No. 827257
Part No. 828632
Part No. 828633
Part No. 828699
Part No. 282195
Part No. 282197



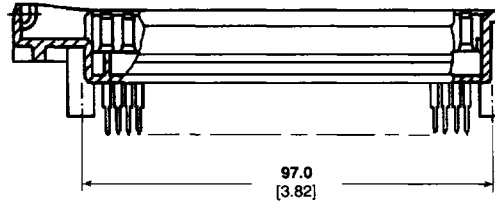
6
Blade-Type Connectors
AMP Timer Connectors

METRIC

Male Connectors, Single Row and Double Row
 (Continued)

35 Position
 Part No. 827439-1

Mates with—
 Part No. 827667

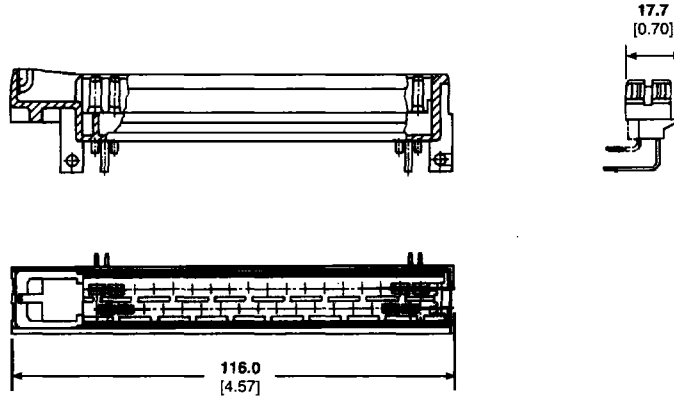


35 Position
 Part No. 827137-1 (black)
 Brass, tin plated

Part No. 827137-2 (grey)
 Brass, tin plated

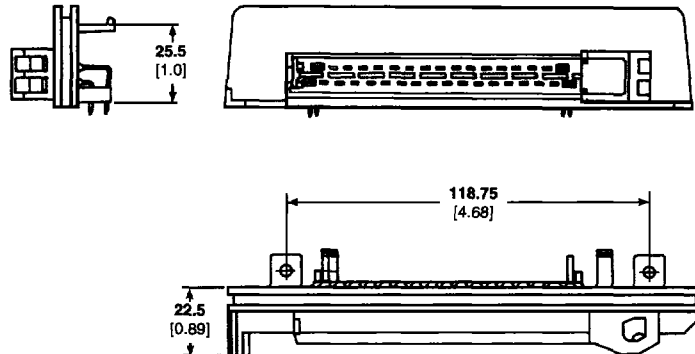
Part No. 827137-3 (grey)
 Brass, silver plated

Mates with—
 Part No. 827667



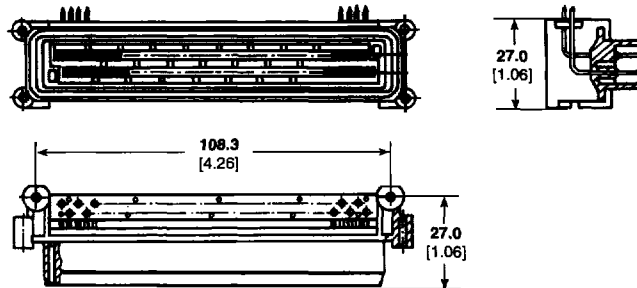
35 Position with Flange
 Part No. 827360-1

Mates with—
 Part No. 827667



38 Position
 Part No. 827698-1

Mates with—
 Part No. 828808



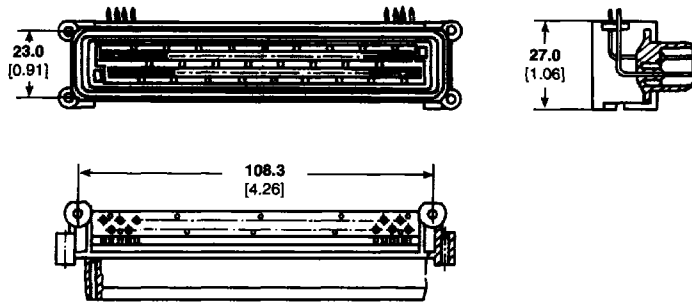
6
 Blade-Type Connectors
 AMP Timer Connectors

METRIC

Male Connectors, Single Row and Double Row
(Continued)

38 Position
Part No. 828989-1 (black)
Part No. 828989-2 (black)
(Same as Part No. 827698 except for mounting holes)

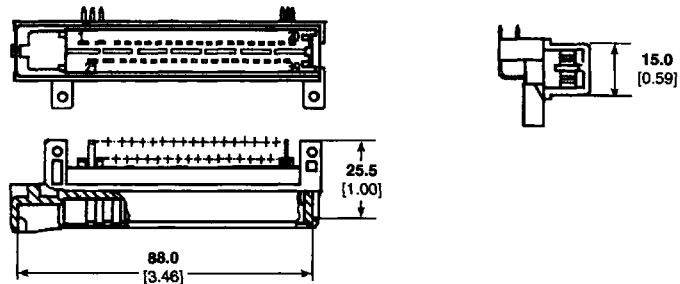
Mates with—
Part No. 828808



39 Position
(90° Solder leg exit)
Part No. 828773-1
Brass, tin plated

Part No. 828773-2
Phosphor bronze, tin plated

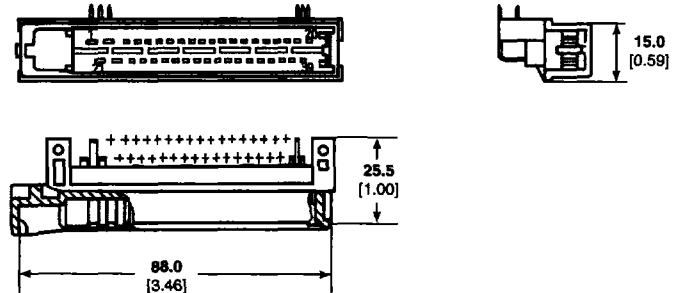
Mates with—
Part No. 828771



39 Position
(90° Solder leg exit)
Part No. 963578-1
Brass, tin plated

Part No. 963578-2
Phosphor bronze, tin plated

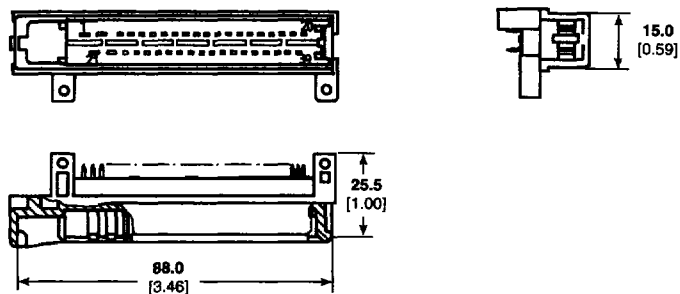
Mates with—
Part No. 828771



39 Position
(180° Solder leg exit)
Part No. 828772-1
Brass, tin plated

Part No. 828772-2
Phosphor bronze, tin plated

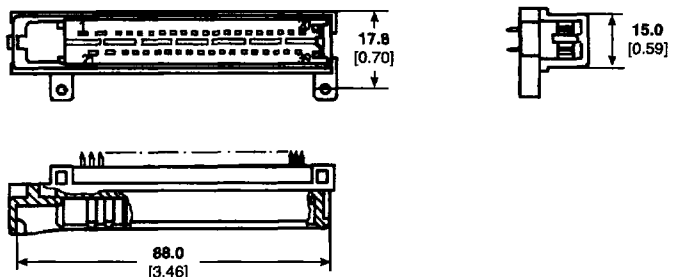
Part No. 828772-3
Brass, tin-gold plated
Mates with—
Part No. 828771



39 Position
(180° Solder leg exit)
Part No. 963574-1
Brass, tin plated

Part No. 963574-2
Phosphor bronze, tin plated

Part No. 963574-3
Brass, tin-gold plated
Mates with—
Part No. 828771



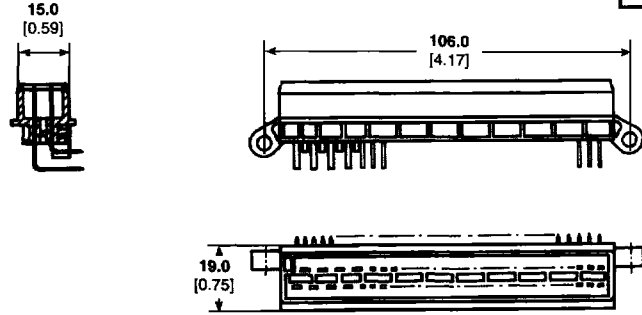
SOURCE: Catalog 124799

Blade-Type Connectors
AMP Timer Connectors

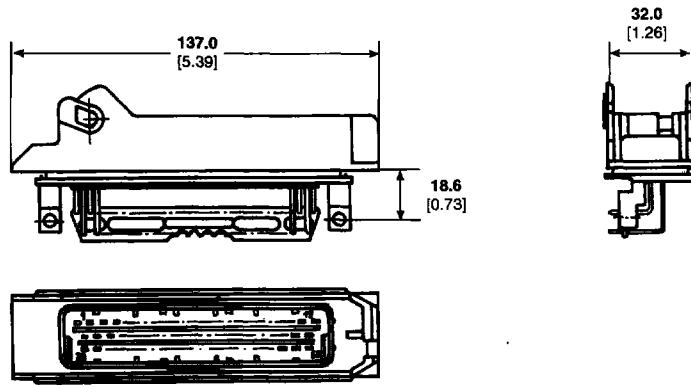
METRIC

Male Connectors, Double Row and Triple Row

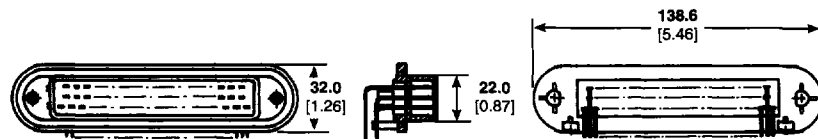
55 Position
Part No. 828763-1
Mates with—
Part No. 828761



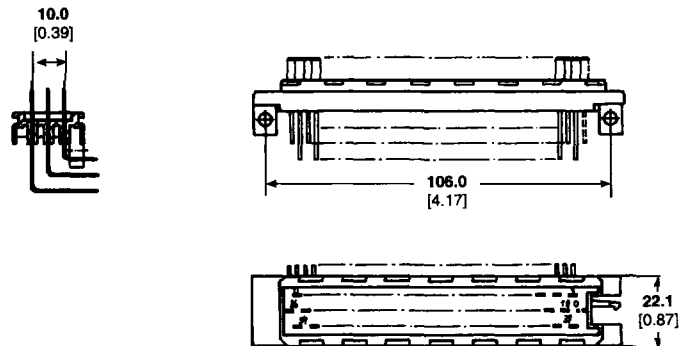
55 Position
Coding 8:
Part No. 963063-1
Coding 7:
Part No. 963063-2
Mates with—
Part No. 963534



55 Position
Part No. 142723-2
Frame
Part No. 142719-2
Mates with—
Part No. 963534



55 Position
Part No. 963042
See Drawing 87-9435-16
Mates with—
Part No. 963041



Blade-Type Connectors
AMP Timer Connectors