



[Dynamic Series](#) | [Dynamic 5000 Series](#)

TE Internal #: 917804-6

Connector Contact, Tab, Component-to-Wire, 16 – 14 AWG Wire Size, 1.23 – 2.27 mm<sup>2</sup> Wire Size, Silver, Bag & Box, Wire & Cable, Dynamic 5000 Series

[View on TE.com >](#)

[Connectors >](#) [PCB Connectors >](#) [Wire-to-Board Connectors >](#) [Wire-to-Board Connector Contacts >](#)

Contact: Component To Wire ; 20-45A , 20-8 wire size



Contact Type: **Tab**

Connector System: **Component-to-Wire**

Wire Size: **1.23 – 2.27 mm<sup>2</sup>**

Contact Mating Area Plating Material: **Silver**

[All Contact: Component To Wire ; 20-45A , 20-8 wire size \(43\)](#)

## Features

### Product Type Features

Connector System	Component-to-Wire
Connector & Contact Terminates To	Wire & Cable

### Contact Features

Mating Tab Width	6.4 mm[.25 in]
Mating Tab Thickness	1 mm[.039 in]
Contact Type	Tab
Contact Mating Area Plating Material	Silver
Contact Current Rating (Max)	45 A

### Dimensions

Wire Size	1.23 – 2.27 mm <sup>2</sup>
-----------	-----------------------------

### Usage Conditions

Operating Temperature Range	-55 – 105 °C[-67 – 221 °F]
-----------------------------	----------------------------

### Operation/Application

Circuit Application	Power
---------------------	-------

### Packaging Features

--	--



Packaging Method	Bag & Box
------------------	-----------

### Product Compliance

[For compliance documentation, visit the product page on TE.com>](#)

EU RoHS Directive 2011/65/EU	Compliant
EU ELV Directive 2000/53/EC	Compliant
China RoHS 2 Directive MIIT Order No 32, 2016	No Restricted Materials Above Threshold
EU REACH Regulation (EC) No. 1907/2006	Current ECHA Candidate List: JUNE 2022 (224) Candidate List Declared Against: JUNE 2022 (224) Does not contain REACH SVHC
Halogen Content	Low Halogen - Br, Cl, F, I < 900 ppm per homogenous material. Also BFR/CFR/PVC Free
Solder Process Capability	Not applicable for solder process capability

#### Product Compliance Disclaimer

This information is provided based on reasonable inquiry of our suppliers and represents our current actual knowledge based on the information they provided. This information is subject to change. The part numbers that TE has identified as EU RoHS compliant have a maximum concentration of 0.1% by weight in homogenous materials for lead, hexavalent chromium, mercury, PBB, PBDE, DBP, BBP, DEHP, DIBP, and 0.01% for cadmium, or qualify for an exemption to these limits as defined in the Annexes of Directive 2011/65/EU (RoHS2). Finished electrical and electronic equipment products will be CE marked as required by Directive 2011/65/EU. Components may not be CE marked. Additionally, the part numbers that TE has identified as EU ELV compliant have a maximum concentration of 0.1% by weight in homogenous materials for lead, hexavalent chromium, and mercury, and 0.01% for cadmium, or qualify for an exemption to these limits as defined in the Annexes of Directive 2000/53/EC (ELV). Regarding the REACH Regulation, the information TE provides on SVHC in articles for this part number is based on the latest European Chemicals Agency (ECHA) 'Guidance on requirements for substances in articles' posted at this URL: <https://echa.europa.eu/guidance-documents/guidance-on-reach>

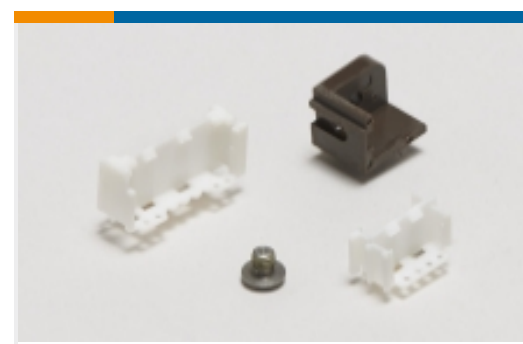
### Compatible Parts



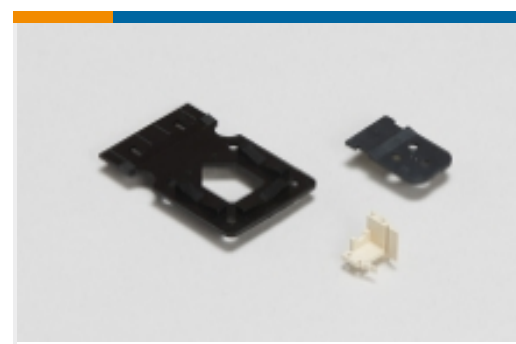
Also in the Series | [Dynamic 5000 Series](#)



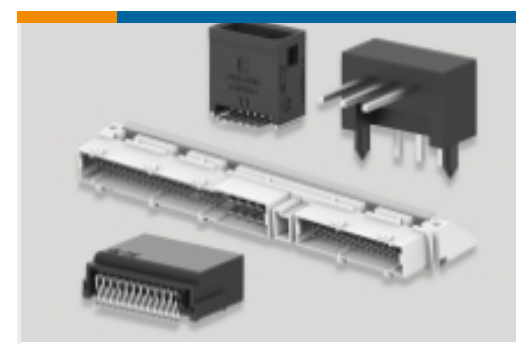
Insertion &amp; Extraction Tools(1)



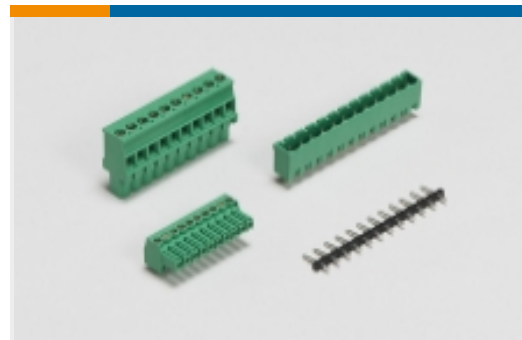
PCB Connector Mounting(3)



PCB Connector Strain Relief(2)



PCB Headers &amp; Receptacles(59)



PCB Terminal Blocks(6)

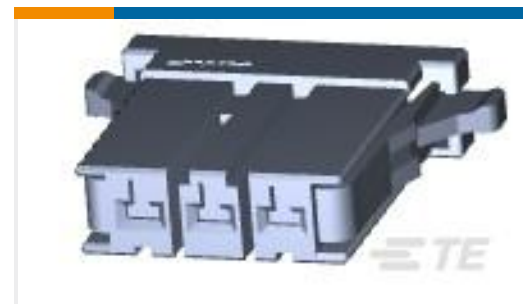
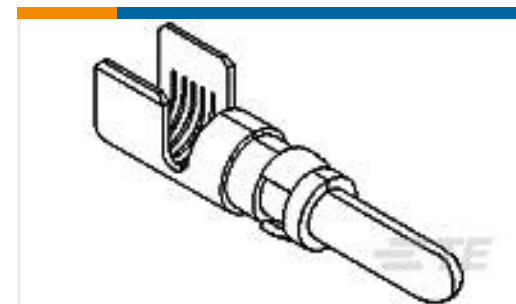


Wire-to-Board Connector Assemblies &amp; Housings(71)



Wire-to-Board Connector Contacts(43)

## Customers Also Bought

TE Part #1658651-1  
KIT,HDP-20,OVRMLD,RCPT,SIZE 4,TE Part #3-178128-3  
DYNAMIC D3200 REC HSG 3P SGL ZTE Part #208493-1  
CMC RECEPTACLE ASSY,SIZE 22TE Part #213841-8  
PWRBAND PIN CNT ASSY,8-10,L.P.TE Part #3-917809-2  
Receptacle and Tab Housing: 5.08 or  
10.16 mm pitch, 250-600VTE Part #1-175216-3  
DYNAMIC D-3 REC CONT. S AU 0.76 L  
/PTE Part #2217208-2  
SDE DIE SET

## Documents

### Product Drawings

[DYNAMIC D-5 TAB CONT "S" L/P Ag](#)

Japanese

### CAD Files

[3D PDF](#)

English

[Customer View Model](#)

[ENG\\_CVM\\_917804-6\\_O1.2d\\_dxf.zip](#)



English

**Customer View Model**

[ENG\\_CVM\\_917804-6\\_O1.3d\\_igs.zip](#)

English

**Customer View Model**

[ENG\\_CVM\\_917804-6\\_O1.3d\\_stp.zip](#)

English

By downloading the CAD file I accept and agree to the [Terms and Conditions](#) of use.

---

**Datasheets & Catalog Pages**

[1-1773732-4\\_DYNAMIC\\_SERIES\\_CATALOG\\_ENGLISH](#)

Japanese

[1-1773732-4\\_DYNAMIC\\_SERIES\\_CATALOG\\_ENGLISH](#)

English

---

**Product Specifications**

[Application Specification](#)

English

---

**Product Environmental Compliance**

[Product Compliance](#)

English

[Product Compliance](#)

English

---

**Instruction Sheets**

[Instruction Sheet \(non U.S.\)](#)

Japanese

[Instruction Sheet \(non U.S.\)](#)

English

[Extraction Tool for AMP Dynamic D-5000 Series](#)

English

---

**Agency Approvals**

[TUV Certificate](#)

English

[TUV Certificate](#)

English