

Tab Contacts

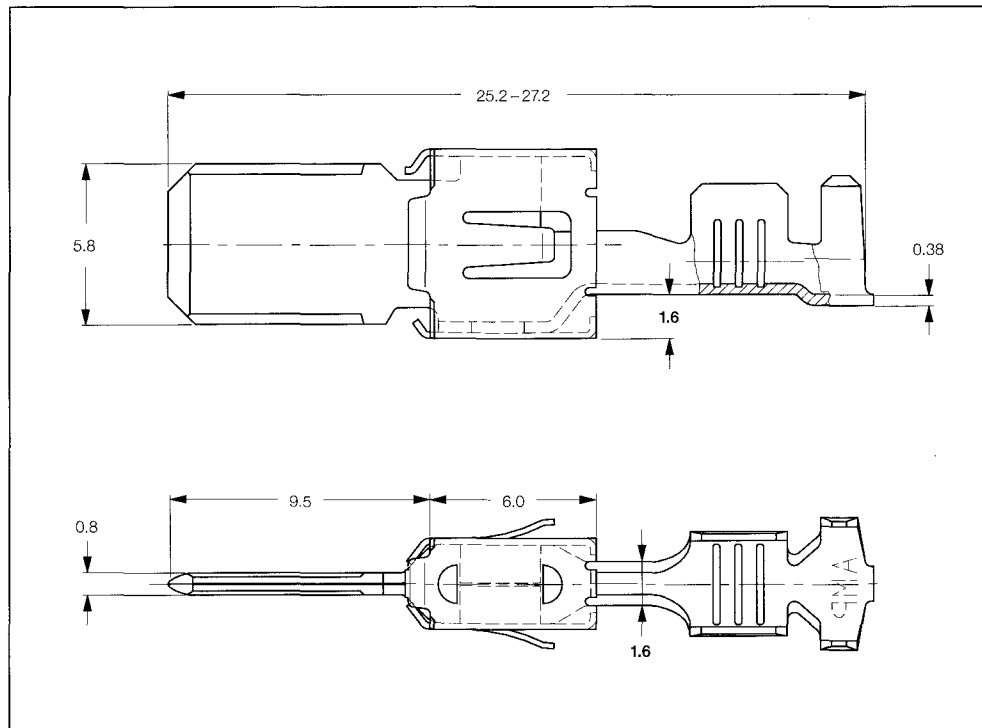
**Tabs 5.8 x 0.8 mm,
with Modified
Steel Top Spring,
Mates with
AMP MCP 6.3/4.8K
Contact System**

Extraction Tool:
Part No. 1-1579007-6

Product Group Drawing:
1394011

Product Specification:
108-18064

Application Specification:
114-18052



Standard Tab Contacts with Modified Spring (STC)

Wire Size Range (mm ²)	Insulation Diameter (mm)		Material and Finish*	Part Numbers				Hand Tool 539635-1 with Die Set	
	FLK	FLR		Strip Form	Package Quantity	Loose-Piece	Package Quantity		Applicator*
0.2-0.5	-	1.15-1.60	-1	969007	1,800	969008	500	x-878967-x	
0.5-1.0	-	1.4-2.1	-1	964304	1,800	964303	2,000	x-878955-x	539665-2
> 1.0-2.5	-	2.2-3.0	-1 / -3	964306	1,900	964305	500	x-878956-x	
> 2.5-4.0	3.3-4.5	3.3-4.5	-1	964308	1,800	964307	500	x-878957-x	

Tab Contacts Single Wire Sealing System with Modified Spring (SWS)

Wire Size Range (mm ²)	Insulation Diameter (mm)		Material and Finish*	Part Numbers				Hand Tool 539635-1 with Die Set	
	FLK	FLR		Strip Form	Package Quantity	Loose-Piece	Package Quantity		Applicator*
0.5-1.0	-	1.4-2.1	-1	964310	1,500	964309	500	x-878958-x	
> 1.0-2.5	-	2.2-3.0	-1	964312	1,400	964311	500	x-878959-x	539666-2
> 2.5-4.0	-	2.7-3.7	-1	964314	1,300	964313	500	x-878960-x	

*) **Material and Finish:**
xxx-1 = CuFe, pre-tin plated
xxx-3 = CuSn, selective gold plated

*) The pre- and suffix for the applicators depends on the applied termination equipment.