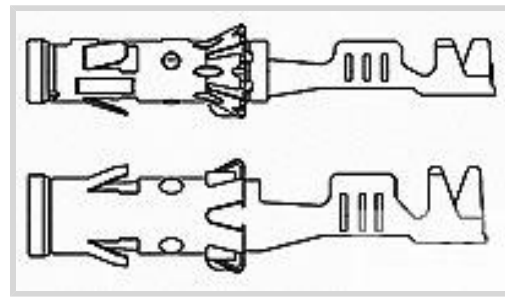




Terminals & Splices > Automotive Terminals > ROUND CONNECTOR SYSTEM, PIN AND SOCKET



Terminal Type: **Socket**

Mating Pin Diameter: 2.5 mm [.098 in]

Terminal Transmits: 25 – 40 A (Power)

Wire Size: 1 – 2.5 mm<sup>2</sup>

[All ROUND CONNECTOR SYSTEM, PIN AND SOCKET \(74\)](#)

## Features

### Product Type Features

Receptacle Style	180°
Sealable	No
Primary Locking Feature	Locking Lance

### Contact Features

Contact Size	2.5mm
Contact Fabrication	Stamped & Formed
Typical Current Rating	34 A
Crimp Type	F-Crimp
Terminal Type	Socket
Mating Pin Diameter	2.5 mm[.098 in]
Interface Plating	Tin (Sn)
Contact Termination Area Plating Material	Tin (Sn)

### Termination Features

Termination Method to Wire & Cable	Crimp
Product Terminates To	Wire

### Dimensions

Wire Size	1 – 2.5 mm <sup>2</sup>
Wire Size Search	13 AWG, 14 AWG, 15 AWG, 16 AWG, 17



AWG

Wire Insulation Diameter	1.9 – 3 mm [.074 – .118 in]
--------------------------	-----------------------------

### Usage Conditions

Insulation Option	Uninsulated
Operating Temperature (Max)	80 °C, 85 °C, 90 °C, 100 °C, 105 °C, 110 °C, 120 °C, 125 °C, 130 °C [176 °F][185 °F][194 °F][212 °F][221 °F][230 °F][248 °F][257 °F][266 °F]

Operating Temperature Range	-40 – 130 °C [-40 – 266 °F]
-----------------------------	-----------------------------

### Operation/Application

Compatible With Wire Base Material	Copper
------------------------------------	--------

### Packaging Features

Packaging Method	Reel
Packaging Quantity	3000

### Other

Terminal Transmits	25 – 40 A (Power)
--------------------	-------------------

## Product Compliance

[For compliance documentation, visit the product page on TE.com>](#)

EU RoHS Directive 2011/65/EU	Compliant
EU ELV Directive 2000/53/EC	Compliant
China RoHS 2 Directive MIIT Order No 32, 2016	No Restricted Materials Above Threshold
EU REACH Regulation (EC) No. 1907/2006	Current ECHA Candidate List: JUNE 2022 (224) Candidate List Declared Against: JUNE 2022 (224) Does not contain REACH SVHC
Halogen Content	Low Halogen - Br, Cl, F, I < 900 ppm per homogenous material. Also BFR/CFR/PVC Free
Solder Process Capability	Not applicable for solder process capability

#### Product Compliance Disclaimer

This information is provided based on reasonable inquiry of our suppliers and represents our current actual knowledge based on the information they provided. This information is subject to change. The part numbers that TE has identified as EU RoHS compliant have a maximum concentration of 0.1% by weight in homogenous materials for lead, hexavalent chromium, mercury, PBB, PBDE, DBP, BBP, DEHP, DIBP, and 0.01% for cadmium, or qualify for an exemption to these limits as defined in the Annexes of Directive 2011/65/EU (RoHS2). Finished electrical and electronic equipment products will be CE marked as required by Directive 2011/65/EU. Components may not be CE marked. Additionally, the part

numbers that TE has identified as EU ELV compliant have a maximum concentration of 0.1% by weight in homogenous materials for lead, hexavalent chromium, and mercury, and 0.01% for cadmium, or qualify for an exemption to these limits as defined in the Annexes of Directive 2000/53/EC (ELV). Regarding the REACH Regulation, the information TE provides on SVHC in articles for this part number is based on the latest European Chemicals Agency (ECHA) 'Guidance on requirements for substances in articles' posted at this URL: <https://echa.europa.eu/guidance-documents/guidance-on-reach>

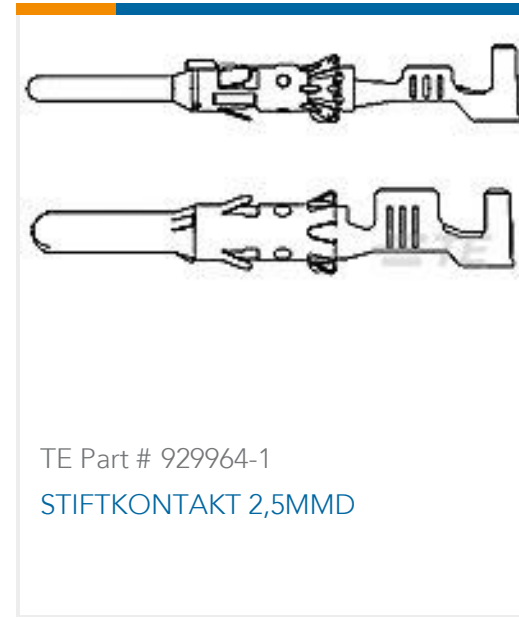
## Compatible Parts



TE Part # 1-1579007-8  
EXTRACTION TOOL



TE Part # 2305570-1  
TERMINAL CUTTER, SIDE FEED



TE Part # 929964-1  
STIFTKONTAKT 2,5MMD



TE Part # 2-2266503-1  
OCEAN\_2.0\_Applicator-S-100F1300



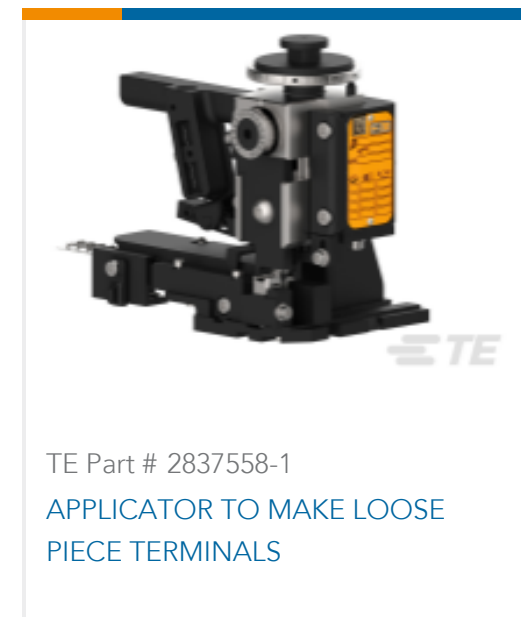
TE Part # 2-2266503-2  
OCEAN\_2.0\_Applicator-S-100F1300



TE Part # 2266503-1  
OCEAN\_2.0\_Applicator-S-100F1300



TE Part # 2266503-2  
OCEAN\_2.0\_Applicator-S-100F1300



TE Part # 2837558-1  
APPLICATOR TO MAKE LOOSE  
PIECE TERMINALS



**KIT**  
REPRESENTATION ONLY

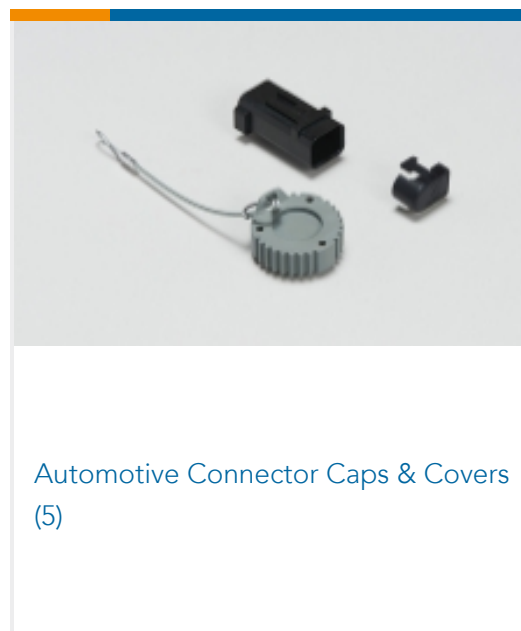
TE Part # 7-2266503-7  
OCEAN\_2.0\_SPARE\_PART\_KIT-  
100F1300



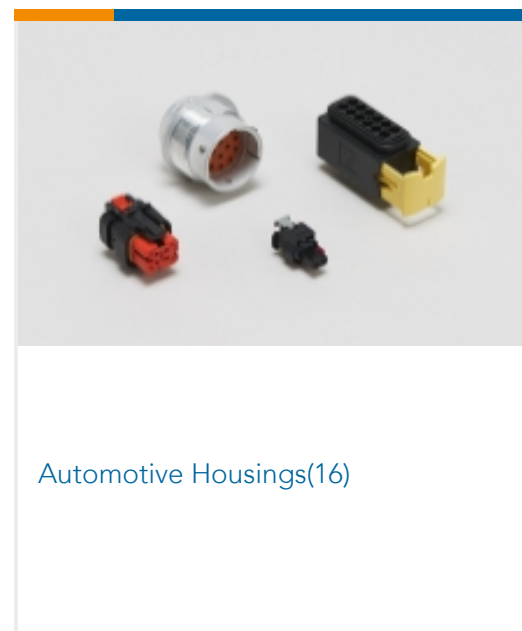
**KIT**  
REPRESENTATION ONLY

TE Part # 7-2837558-7  
TOOLING KIT TO MAKE LOOSE  
PIECE TERMINAL

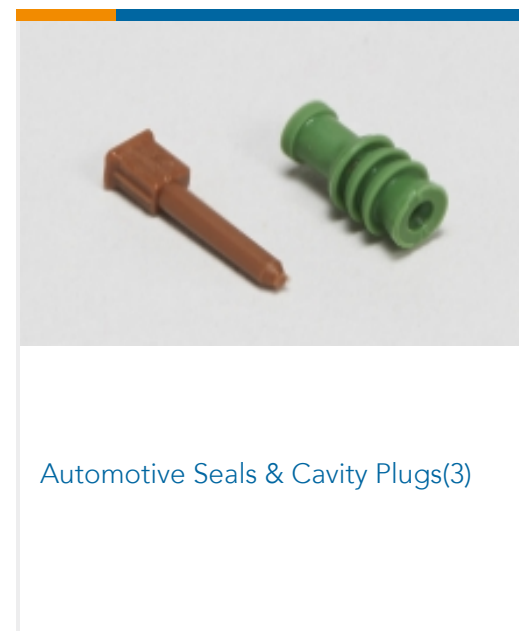
## Also in the Series | Round Connector System



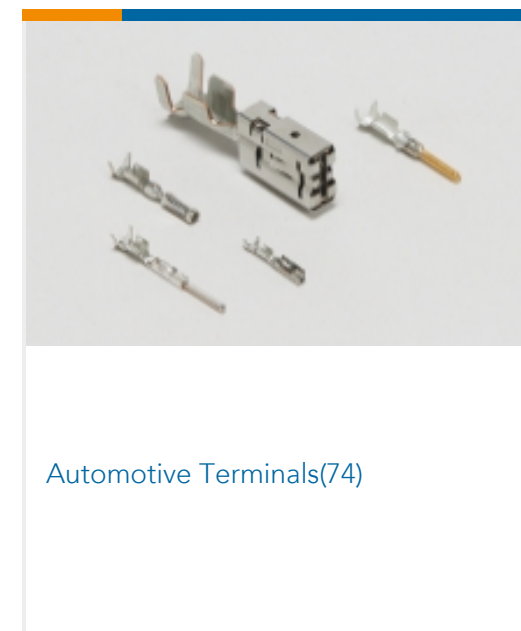
Automotive Connector Caps & Covers  
(5)



Automotive Housings(16)



Automotive Seals & Cavity Plugs(3)



Automotive Terminals(74)



Insertion &amp; Extraction Tools(8)

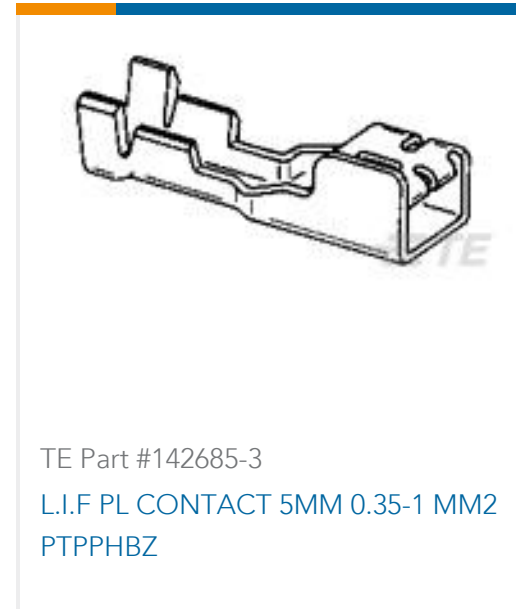
## Customers Also Bought



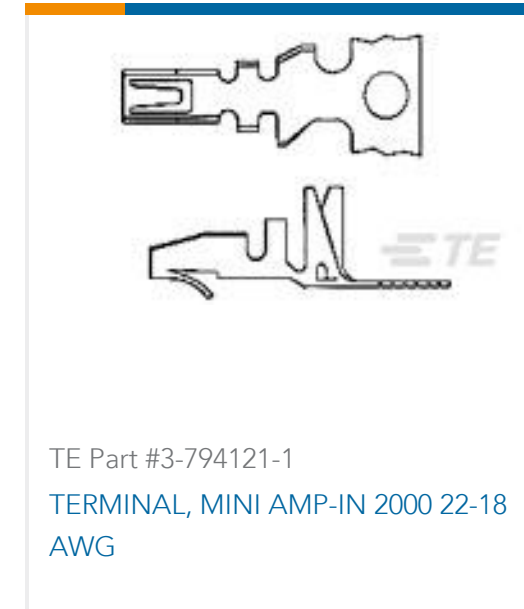
TE Part #1418917-1  
MULTI CORE CABLE ADAPTER 180  
DEGREE



TE Part #880645-6  
PL REC 1.0-2.5MM2 0.40 X 52.32 PTPBR



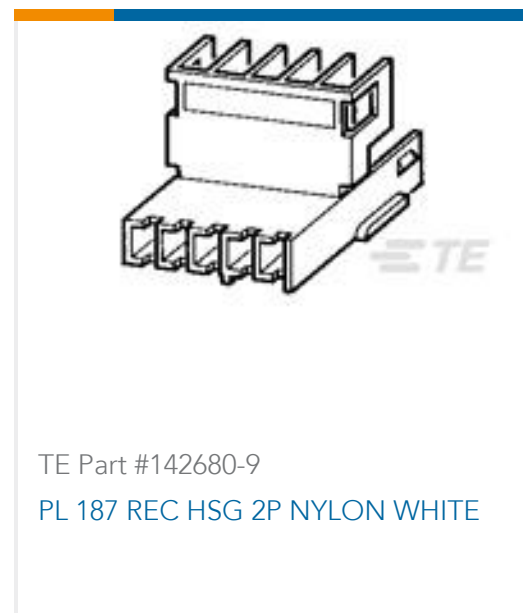
TE Part #142685-3  
L.I.F PL CONTACT 5MM 0.35-1 MM2  
PTPPHBZ



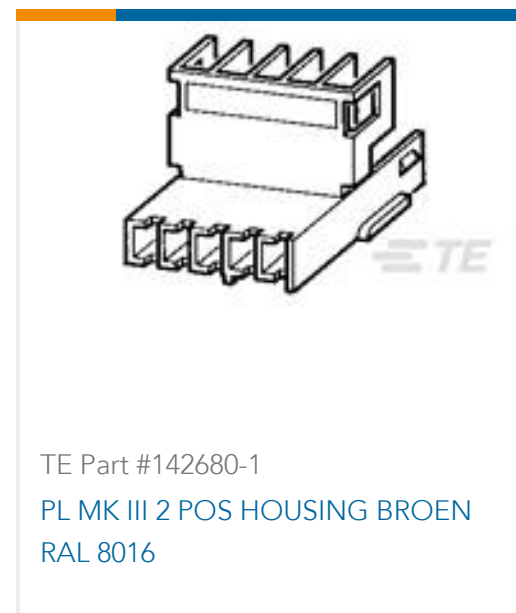
TE Part #3-794121-1  
TERMINAL, MINI AMP-IN 2000 22-18  
AWG



TE Part #175411-1  
110 PL REC. 24-20AWG PTBR



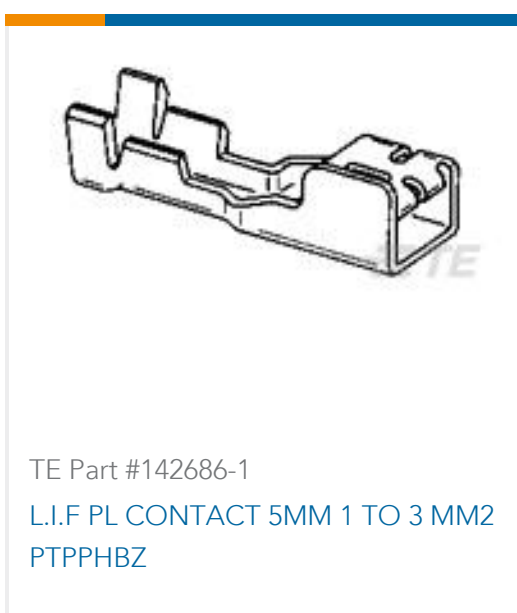
TE Part #142680-9  
PL 187 REC HSG 2P NYLON WHITE



TE Part #142680-1  
PL MK III 2 POS HOUSING BROEN  
RAL 8016



TE Part #3-521013-2  
ULTRA-FAST 250 ASY REC 16-14 AWG  
TPBR



TE Part #142686-1  
L.I.F PL CONTACT 5MM 1 TO 3 MM2  
PTPPHBZ



TE Part #1393277-6  
V23076A1001D143

## Documents

### Product Drawings

[BU-KONTAKT 2,5MMD](#)

English

[BU-KONTAKT 2,5MMD](#)

German

### CAD Files

[Customer View Model](#)

[ENG\\_CVM\\_929971-1\\_A5.3d\\_igs.zip](#)



English

Customer View Model

[ENG\\_CVM\\_929971-1\\_A5.3d\\_stp.zip](#)

English

Customer View Model

[ENG\\_CVM\\_929971-1\\_A5.2d\\_dxf.zip](#)

English

[3D PDF](#)

English

By downloading the CAD file I accept and agree to the [Terms and Conditions](#) of use.

---

## Datasheets & Catalog Pages

[Heavy Duty Connectors](#)

English

[CONNECTOR SELECTOR](#)

English

---

## Product Specifications

[Application Specification](#)

English

[Application Specification](#)

English

---

## Product Environmental Compliance

[Product Compliance](#)

English

[Product Compliance](#)

English