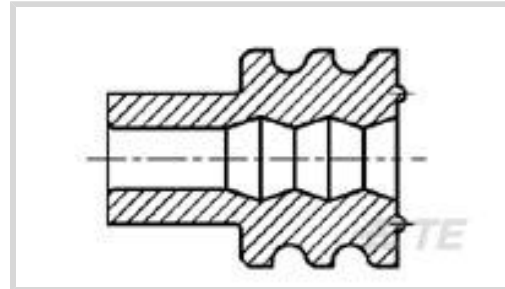




Connectors > Automotive Connectors > Seals & Cavity Plugs



Connector Seal Type: **Single Wire Seal (SWS)**

Cavity Diameter: **5.2 mm [.205 in]**

Accepts Cable Insulation Diameter Range: **2 – 2.7 mm [.079 – .106 in]**

Seal Material: **Fluorosilicone**

Resistance to Hydrocarbons: **Excellent**

Features

Product Type Features

Connector Seal Type	Single Wire Seal (SWS)
---------------------	------------------------

Body Features

Seal Material	Fluorosilicone
Primary Product Color	Brown

Dimensions

Cavity Diameter	5.2 mm [.205 in]
Accepts Cable Insulation Diameter Range	2 – 2.7 mm [.079 – .106 in]

Usage Conditions

Operating Temperature (Max)	65 °C, 70 °C, 75 °C, 80 °C, 85 °C, 90 °C, 100 °C, 105 °C, 110 °C, 120 °C, 125 °C, 130 °C [149 °F][158 °F][167 °F][176 °F][185 °F][194 °F][212 °F][221 °F][230 °F][248 °F][257 °F][266 °F]
Operating Temperature Range	-40 – 130 °C[-40 – 266 °F]

Industry Standards

UL Flammability Rating	None
------------------------	------

Other

Resistance to Hydrocarbons	Excellent
Shore A Hardness	50
Contains Lubricant	Yes

Product Compliance

[For compliance documentation, visit the product page on TE.com>](#)

EU RoHS Directive 2011/65/EU	Compliant
EU ELV Directive 2000/53/EC	Compliant
China RoHS 2 Directive MIIT Order No 32, 2016	No Restricted Materials Above Threshold
EU REACH Regulation (EC) No. 1907/2006	Current ECHA Candidate List: JUNE 2022 (224) Candidate List Declared Against: JAN 2022 (223) SVHC > Threshold: Not Yet Reviewed
Halogen Content	Low Bromine/Chlorine - Br and Cl < 900 ppm per homogenous material. Also BFR /CFR/PVC Free
Solder Process Capability	Not applicable for solder process capability

Product Compliance Disclaimer

This information is provided based on reasonable inquiry of our suppliers and represents our current actual knowledge based on the information they provided. This information is subject to change. The part numbers that TE has identified as EU RoHS compliant have a maximum concentration of 0.1% by weight in homogenous materials for lead, hexavalent chromium, mercury, PBB, PBDE, DBP, BBP, DEHP, DIBP, and 0.01% for cadmium, or qualify for an exemption to these limits as defined in the Annexes of Directive 2011/65/EU (RoHS2). Finished electrical and electronic equipment products will be CE marked as required by Directive 2011/65/EU. Components may not be CE marked. Additionally, the part numbers that TE has identified as EU ELV compliant have a maximum concentration of 0.1% by weight in homogenous materials for lead, hexavalent chromium, and mercury, and 0.01% for cadmium, or qualify for an exemption to these limits as defined in the Annexes of Directive 2000/53/EC (ELV). Regarding the REACH Regulation, the information TE provides on SVHC in articles for this part number is based on the latest European Chemicals Agency (ECHA) 'Guidance on requirements for substances in articles' posted at this URL: <https://echa.europa.eu/guidance-documents/guidance-on-reach>

Also in the Series | Junior Power Timer



Automotive Connector Caps & Covers (5)



Automotive Housings(225)



Automotive Seals & Cavity Plugs(10)



Automotive Terminals(82)



Busbars & Terminals(1)



Insertion & Extraction Tools(9)



Module Components(6)



Other Automotive Connector Accessories(1)



PCB Headers & Receptacles(1)

Customers Also Bought



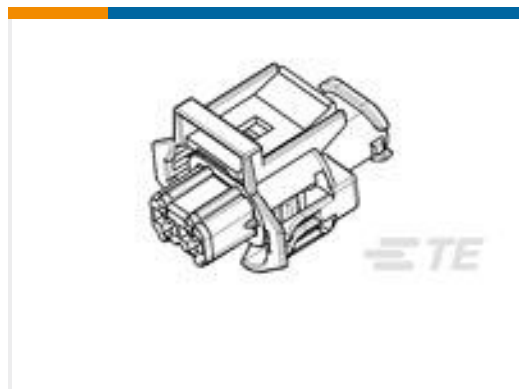
TE Part #1-1743386-2
MQS HDR 8P ASSY(V-TYPE/B)



TE Part #2109366-2
110 UNSLD 2P PLUG ASSY



TE Part #2109197-1
025/060/250 HYB LIF 41P CAP AS



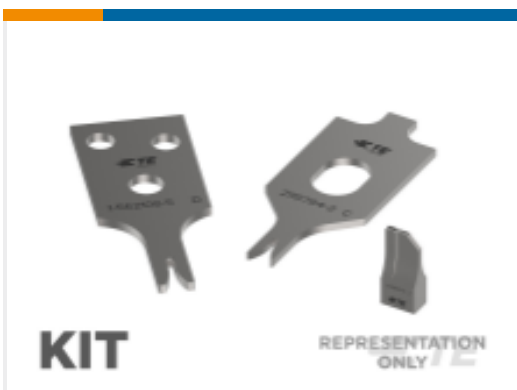
TE Part #2-936060-1
2.8MM SLD 3P PLUG ASSY



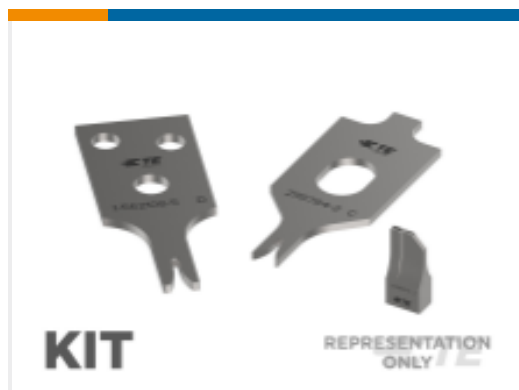
TE Part #2219215-1
HYB SLD 38P COVER ASSY



TE Part #2836810-2
OCEAN-2.0-APPLICATOR-S-059F0700A



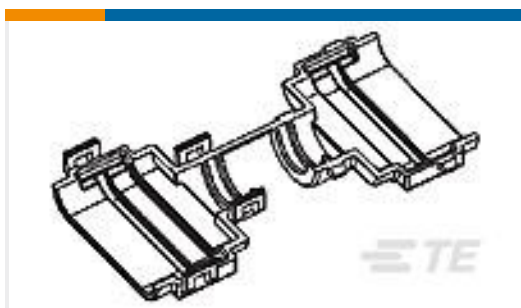
TE Part #7-2836341-7
OCEAN_2.0_SPARE_PART_KIT-080F0930V



TE Part #7-2836810-7
OCEAN_2.0_SPARE_PART_KIT-059F0700



TE Part #7501716019
RBK-ILS-125-NR4-0-100MM



TE Part #936113-1
2.8mm Sealed 5P Cover

Documents



CAD Files

3D PDF

3D

Customer View Model

[ENG_CVM_963293-2_G1.3d_igs.zip](#)

English

Customer View Model

[ENG_CVM_963293-2_G1.3d_stp.zip](#)

English

Customer View Model

[ENG_CVM_963293-2_G1.2d_dxf.zip](#)

English

3D PDF

English

By downloading the CAD file I accept and agree to the [Terms and Conditions](#) of use.

Product Specifications

[Application Specification](#)

English

Product Environmental Compliance

[TE Material Declaration](#)

English