



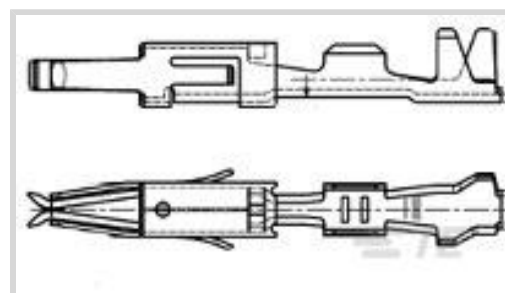
AMP | Micro Timer II

TE Internal #: 962942-2

Automotive Terminals, Receptacle, Mating Tab Width 1.6 mm [.063 in], Tab Thickness .024 in [.6 mm], 24 – 20 AWG Wire Size, Micro Timer II

[View on TE.com >](#)

Terminals & Splices > Automotive Terminals > TIMER, RECEPTACLE AND TAB



Terminal Type: **Receptacle**

Mating Tab Width: **1.6 mm [.063 in]**

Mating Tab Thickness: **.6 mm [.024 in]**

Terminal Transmits: **0 – 24 A (Low Power)**

Wire Size: **24 – 20 AWG**

[All TIMER, RECEPTACLE AND TAB \(344\)](#)

Features

Product Type Features

Sealable	No
Primary Locking Feature	Locking Lance

Contact Features

Contact Size	1.6mm
Contact Fabrication	Stamped & Formed
Typical Current Rating	10 A
Crimp Type	F-Crimp
Terminal Type	Receptacle
Mating Tab Width	1.6 mm[.063 in]
Mating Tab Thickness	.6 mm[.024 in]
Interface Plating	Tin (Sn)
Contact Termination Area Plating Material	Tin (Sn)

Termination Features

Termination Method to Wire & Cable	Crimp
Product Terminates To	Wire

Dimensions

Wire Size	.2 – .5 mm ²
-----------	-------------------------



Wire Size Search	20 AWG, 21 AWG, 22 AWG, 23 AWG, 24 AWG
------------------	--

Wire Insulation Diameter	1.15 – 1.6 mm [.045 – .063 in]
--------------------------	--------------------------------

Usage Conditions

Insulation Option	Uninsulated
-------------------	-------------

Operating Temperature (Max)	80 °C, 85 °C, 90 °C, 100 °C, 105 °C, 110 °C, 120 °C [176 °F] [185 °F] [194 °F] [212 °F] [221 °F] [230 °F] [248 °F]
-----------------------------	--

Operating Temperature Range	-40 – 120 °C [-40 – 248 °F]
-----------------------------	-----------------------------

Operation/Application

Compatible With Wire Base Material	Copper
------------------------------------	--------

Industry Standards

Agency/Standard	IEC 664/664A (DIN VDE 0110)
-----------------	-----------------------------

Packaging Features

Packaging Method	Reel
------------------	------

Packaging Quantity	7000
--------------------	------

Other

Terminal Transmits	0 – 24 A (Low Power)
--------------------	----------------------

Product Compliance

[For compliance documentation, visit the product page on TE.com>](#)

EU RoHS Directive 2011/65/EU	Compliant
------------------------------	-----------

EU ELV Directive 2000/53/EC	Compliant
-----------------------------	-----------

China RoHS 2 Directive MIIT Order No 32, 2016	No Restricted Materials Above Threshold
---	---

EU REACH Regulation (EC) No. 1907/2006	Current ECHA Candidate List: JUNE 2022 (224) Candidate List Declared Against: JAN 2022 (223) SVHC > Threshold: Not Yet Reviewed
--	--

Halogen Content	Low Halogen - Br, Cl, F, I < 900 ppm per homogenous material. Also BFR/CFR/PVC Free
-----------------	---

Solder Process Capability	Not applicable for solder process capability
---------------------------	--

Product Compliance Disclaimer

This information is provided based on reasonable inquiry of our suppliers and represents our current actual knowledge based on the information they provided. This information is subject to change. The part numbers that TE has identified as EU RoHS compliant have a maximum concentration of 0.1% by weight in homogenous materials for lead, hexavalent chromium, mercury, PBB, PBDE, DBP, BBP, DEHP, DIBP, and 0.01% for cadmium, or qualify for an exemption to these limits as defined in the Annexes of Directive 2011/65/EU (RoHS2). Finished electrical and electronic equipment products will be CE marked as required by Directive 2011/65/EU. Components may not be CE marked. Additionally, the part numbers that TE has identified as EU ELV compliant have a maximum concentration of 0.1% by weight in homogenous materials for lead, hexavalent chromium, and mercury, and 0.01% for cadmium, or qualify for an exemption to these limits as defined in the Annexes of Directive 2000/53/EC (ELV). Regarding the REACH Regulation, the information TE provides on SVHC in articles for this part number is based on the latest European Chemicals Agency (ECHA) 'Guidance on requirements for substances in articles' posted at this URL: <https://echa.europa.eu/guidance-documents/guidance-on-reach>

Compatible Parts



Also in the Series | Micro Timer II



Automotive Connector Caps & Covers (2)



Automotive Connector Locks & Position Assurance(1)



Automotive Housings(29)



Automotive Seals & Cavity Plugs(1)

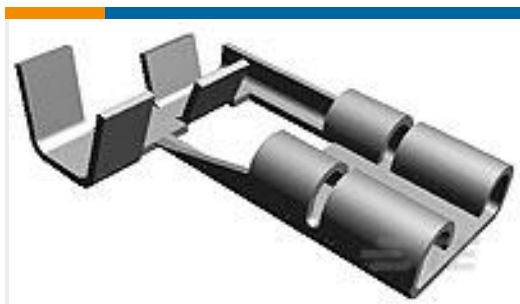


Automotive Terminals(29)

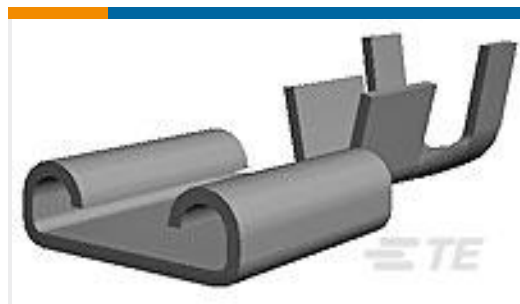


Insertion & Extraction Tools(4)

Customers Also Bought



TE Part #100645-3
250 FASTON,FLAG,REC.,14-17AWG, PHBRZ



TE Part #160916-3
250 FASTON,REC.,17-14 AWG,PB



TE Part #1241374-3
AMP MCP, RECEPTACLE AND TAB



TE Part #1670326-3
1.5MM SFC,CONTACT



TE Part #2282155-1
7POS,NANOMQS,REC HSG,CODA



TE Part #1-1801155-5
COVER FOR 2W HP CONNECTOR



TE Part #1-1801356-1
ROTATIVE COVER, RIGHT ANGLE, 2W HP CONN



TE Part #1-1801466-1
COVER, FIXED, 2 WAY HP CONNECTOR



TE Part #1-2141876-3
TAB A 2.8x0.8 CONTACT CF SWS Au

Documents



Product Drawings

MICRO TIMER 2 CONTACT

English

CAD Files

Customer View Model

[ENG_CVM_962942-2_J1.3d_igs.zip](#)

English

Customer View Model

[ENG_CVM_962942-2_J1.3d_stp.zip](#)

English

Customer View Model

[ENG_CVM_962942-2_J1.2d_dxf.zip](#)

English

3D PDF

3D

By downloading the CAD file I accept and agree to the [Terms and Conditions](#) of use.

Datasheets & Catalog Pages

Timer Interconnection System

English

Product Specifications

Application Specification

German

Application Specification

English

Application Specification

English