

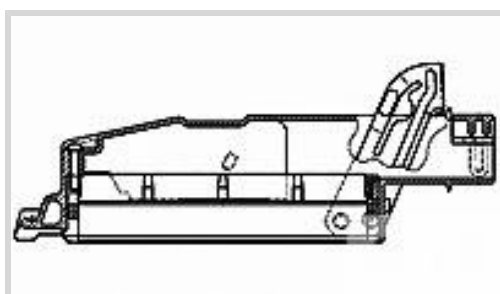


Junior Power Timer

TE Part # 963684-1

TE Internal #: 963684-1

[View on TE.com >](#)



### Product Compliance

[For compliance documentation, visit the product page on TE.com>](#)

EU RoHS Directive 2011/65/EU	Compliant
EU ELV Directive 2000/53/EC	Compliant
China RoHS 2 Directive MIIT Order No 32, 2016	No Restricted Materials Above Threshold
EU REACH Regulation (EC) No. 1907/2006	Aktuelle ECHA Kandidatenliste: JAN 2019 (197) Kandidatenliste deklariert bezüglich: JUN 2016 (169)
Halogen Content	Low Halogen - Br, Cl, F, I < 900 ppm per homogenous material. Also BFR/CFR/PVC Free
Solder Process Capability	Not applicable for solder process capability

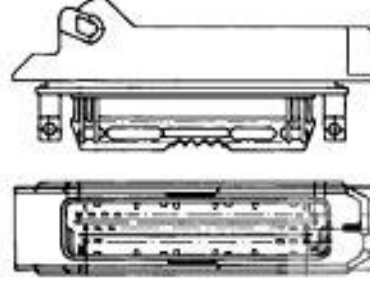
Product Compliance Disclaimer

This information is provided based on reasonable inquiry of our suppliers and represents our current actual knowledge based on the information they provided. This information is subject to change. The part numbers that TE has identified as EU RoHS compliant have a maximum concentration of 0.1% by weight in homogenous materials for lead, hexavalent chromium, mercury, PBB, PBDE, DBP, BBP, DEHP, DIBP, and 0.01% for cadmium, or qualify for an exemption to these limits as defined in the Annexes of Directive 2011/65/EU (RoHS2). Finished electrical and electronic equipment products will be CE marked as required by Directive 2011/65/EU. Components may not be CE marked. Additionally, the part numbers that TE has identified as EU ELV compliant have a maximum concentration of 0.1% by weight in homogenous materials for lead, hexavalent chromium, and mercury, and 0.01% for cadmium, or qualify for an exemption to these limits as defined in the Annexes of Directive 2000/53/EC (ELV). Regarding the REACH Regulations, TE's information on SVHC in articles for this part number is still based on the European Chemical Agency (ECHA) 'Guidance on requirements for substances in articles' (Version: 2, April 2011), applying the 0.1% weight on weight concentration threshold at the finished product level. TE is aware of the European Court of Justice ruling of September 10th, 2015 also known as O5A (Once An Article Always An Article) stating that, in case of 'complex object', the threshold for a SVHC must be applied to both the product as a whole and simultaneously to each of the articles forming part of its composition. TE has evaluated this ruling based on the new ECHA "Guidance on requirements for substances in articles" (June 2017, version 4.0) and will be updating its statements accordingly.

### Compatible Parts



TE Part # 2112132-1  
JPT REC 2.8 Contact SRC  
Blank




TE Part # 963063-1  
55P JUN-TIMER GEH



TE Part # 963063-2  
55P MESSERLEISTE


Also in the Series | Junior Power Timer




Automotive Connector  
Caps & Covers(7)




Automotive Seals & Cavity  
Plugs(11)




Automotive, Truck, Bus, &  
Off-Road Headers(4)



Automotive, Truck, Bus, &  
Off-Road Housings(279)




Automotive, Truck, Bus, &  
Off-Road Terminals(91)



Busbars & Terminals(1)

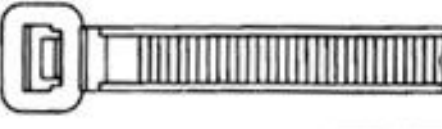


Module Component(9)



Other Automotive  
Connector Accessories(1)

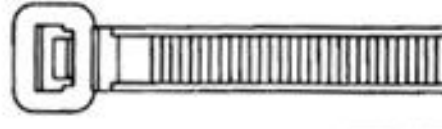
Customers Also Bought



TE Part #2-160983-2  
CABLE TY 365X7.8 BLA



TE Part #66253-2  
MALE CONTACT ASSY.  
(STRIP)



TE Part #2-160977-2  
CABLE TY 290X4.8 BLA



TE Part #926986-1  
MNL BUCHSE 3,5 MM



TE Part #3-647079-7  
07P MTA100 HDR FLRAFB  
15AU LF



TE Part #928247-6  
6PST-TIMER HOUSING



## Documents

### Product Drawings

[JPT GEH KPL-SATZ55P](#)

English

---

### CAD Files

Customer View Model

[ENG\\_CVM\\_963684-1\\_H2.3d\\_igs.zip](#)

English

Customer View Model

[ENG\\_CVM\\_963684-1\\_H2.3d\\_stp.zip](#)

English

Customer View Model

[ENG\\_CVM\\_963684-1\\_H2.2d\\_dxf.zip](#)

English

### 3D PDF

English

---

### Datasheets & Catalog Pages

[Timer Interconnection System](#)

English

---

### Product Specifications

[APPLICATION-SPECIFICATION 55 POS. JPT-CONNECTOR](#)

English

[Application Specification](#)

English

---

### Instruction Sheets

[CONNECTEUR 55 VOIES JUNIOR TIMER](#)

English

[Instruction Sheet \(non U.S.\)](#)

English

---