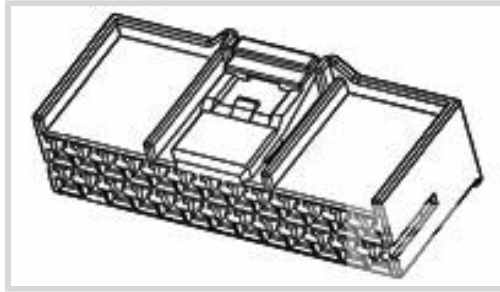


**Multilock Connector System**

TE Internal #: 936204-2

Wire-to-Wire, 18 Position, .157 in [4 mm] Centerline, Black, Signal,  
Cable Mount (Free-Hanging), Multilock Connector System[View on TE.com >](#)

Connectors &gt; Automotive Connectors &gt; Connector Housings &gt; MULTILOCK, CONNECTOR HOUSING



Mating Tab Width: 2.3 mm [ .09 in ]

Connector System: **Wire-to-Wire**

Number of Positions: 18

Centerline (Pitch): 4 mm [ .157 in ]

Sealable: No

[All MULTILOCK, CONNECTOR HOUSING \(576\)](#)**Features****Product Type Features**

Connector & Housing Shape	Rectangular
Connector System	Wire-to-Wire
Sealable	No
Hybrid Connector	No

**Configuration Features**

Number of Positions	18
Number of Rows	2

**Body Features**

Body Material	PBT
Primary Product Color	Black

**Contact Features**

Contact Size	2.3mm
Mating Tab Width	2.3 mm[.09 in]

**Mechanical Attachment**

Mounting Feature	Without
Terminal Position Assurance	No
Strain Relief	Without



Mating Alignment Type	Polarized
Mating Alignment	With
Connector Mounting Type	Cable Mount (Free-Hanging)

### Housing Features

Centerline (Pitch)	4 mm [.157 in]
--------------------	----------------

### Dimensions

Product Width	17.8 mm [.701 in]
Product Length	38.1 mm [1.499 in]
Product Height	21 mm [.827 in]
Row-to-Row Spacing	5 mm [.197 in]

### Operation/Application

Circuit Application	Signal
---------------------	--------

### Packaging Features

Packaging Quantity	300
Packaging Method	Bag

### Other

Serviceable	No
Connector Position Assurance Capable	No

## Product Compliance

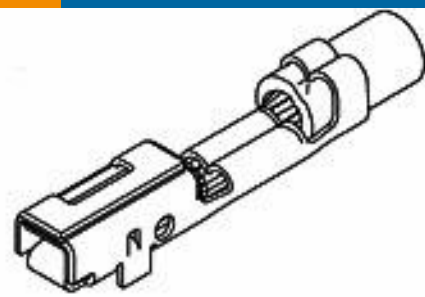
[For compliance documentation, visit the product page on TE.com>](#)

EU RoHS Directive 2011/65/EU	Compliant
EU ELV Directive 2000/53/EC	Compliant
China RoHS 2 Directive MIIT Order No 32, 2016	No Restricted Materials Above Threshold
EU REACH Regulation (EC) No. 1907/2006	Current ECHA Candidate List: JUNE 2022 (224) Candidate List Declared Against: JAN 2022 (223) SVHC > Threshold: Not Yet Reviewed
Halogen Content	Low Halogen - Br, Cl, F, I < 900 ppm per homogenous material. Also BFR/CFR/PVC Free
Solder Process Capability	Not applicable for solder process capability

Product Compliance Disclaimer

This information is provided based on reasonable inquiry of our suppliers and represents our current actual knowledge based on the information they provided. This information is subject to change. The part numbers that TE has identified as EU RoHS compliant have a maximum concentration of 0.1% by weight in homogenous materials for lead, hexavalent chromium, mercury, PBB, PBDE, DBP, BBP, DEHP, DIBP, and 0.01% for cadmium, or qualify for an exemption to these limits as defined in the Annexes of Directive 2011/65/EU (RoHS2). Finished electrical and electronic equipment products will be CE marked as required by Directive 2011/65/EU. Components may not be CE marked. Additionally, the part numbers that TE has identified as EU ELV compliant have a maximum concentration of 0.1% by weight in homogenous materials for lead, hexavalent chromium, and mercury, and 0.01% for cadmium, or qualify for an exemption to these limits as defined in the Annexes of Directive 2000/53/EC (ELV). Regarding the REACH Regulation, the information TE provides on SVHC in articles for this part number is based on the latest European Chemicals Agency (ECHA) 'Guidance on requirements for substances in articles' posted at this URL: <https://echa.europa.eu/guidance-documents/guidance-on-reach>

### Compatible Parts



TE Part # 368085-1  
090III NON SLD REC(SQ 0.3-0.5)



TE Part # CAT-M9194-CH8172  
MULTILOCK, CONNECTOR HOUSING




TE Part # 936213-5  
090III 18P CAP ASSY YELLOW

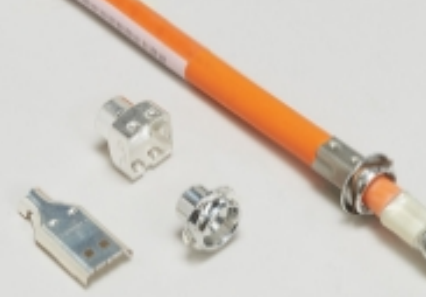


TE Part # 936213-7  
090III 18P CAP ASSY GREEN

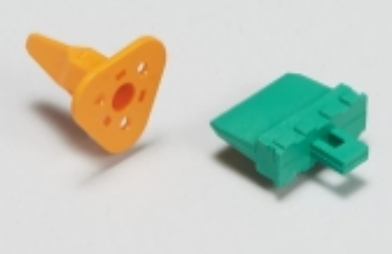
### Also in the Series | Multilock Connector System




Automotive Connector Caps & Covers  
(16)




Automotive Connector EMC Shielding  
(1)




Automotive Connector Locks & Position Assurance  
(2)




Automotive Housings(575)




Automotive Seals & Cavity Plugs(2)



Automotive Terminals(140)



Insertion & Extraction Tools(6)

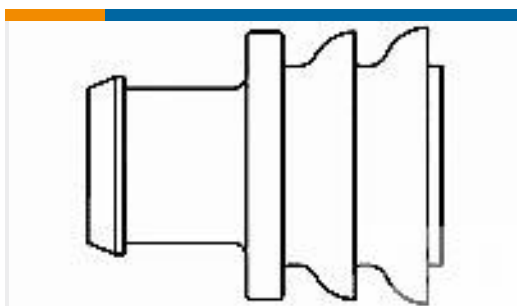


Other Automotive Connector Accessories(9)



PCB Headers &amp; Receptacles(129)

## Customers Also Bought

TE Part #DT04-2P  
DEUTSCH DT Series Housings & ConnectorsTE Part #W2S  
DEUTSCH DT WEDGELOCKSTE Part #282104-1  
AMP SUPERSEAL 1.5MM,  
CONNECTOR HOUSINGTE Part #206070-8  
CABLE CLAMP KIT #17TE Part #281934-2  
SINGLE WIRE SEALTE Part #0460-202-16141  
DEUTSCH SOLID CONTACTS

## Documents

### CAD Files

#### Customer View Model

[ENG\\_CVM\\_CVM\\_936204-2\\_A.2d\\_dxf.zip](#)

English

### 3D PDF

3D

#### Customer View Model

[ENG\\_CVM\\_CVM\\_936204-2\\_A.3d\\_igs.zip](#)

English

#### Customer View Model

[ENG\\_CVM\\_CVM\\_936204-2\\_A.3d\\_stp.zip](#)

English

By downloading the CAD file I accept and agree to the [Terms and Conditions](#) of use.

### Datasheets & Catalog Pages

[MULTILOCK Connector System](#)

English



---

**Product Specifications**

**Product Specification**

English