

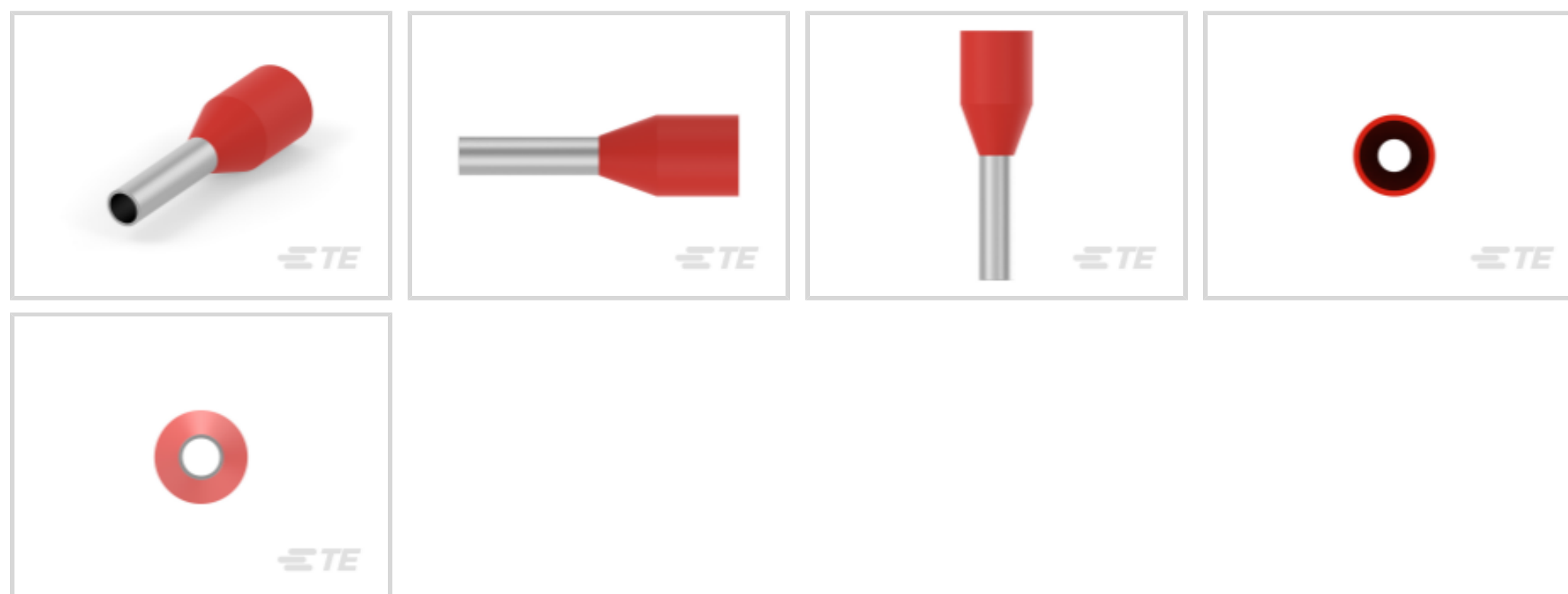
TE Internal #: 966067-8

Crimp Wire Pins, Tabs & Ferrules, Ferrule, 17 AWG Wire Size, 1 mm² Wire Size, 2050 CMA Wire Size, .117 in [3 mm] Barrel Inside Diameter, Closed

[View on TE.com >](#)



Terminals & Splices > Crimp Wire Pins, Tabs & Ferrules



Crimp Wire Pin, Tab & Ferrule Terminal Type: **Ferrule**

Accepts Wire Insulation Diameter Range: **2.9 mm [.114 in]**

Wire Size: **2050 CMA**

Features

Product Type Features

Sealable	No
Compatible With Discrete Wire Type	Stranded

Configuration Features

Compatible With Wire & Cable Type	Discrete Wire
-----------------------------------	---------------

Body Features

Double Wire	No
-------------	----

Contact Features

Terminal Length	6 mm [.234 in]
Crimp Wire Pin, Tab & Ferrule Terminal Type	Ferrule
Barrel Type	Closed
Terminal Plating Material	Tin
Terminal Orientation	Straight

Mechanical Attachment

Wire Insulation Support	Without
-------------------------	---------

Dimensions

--	--



2-Wire Size	17 AWG
Strip Length	8 mm[.315 in]
Accepts Wire Insulation Diameter Range	2.9 mm[.114 in]
Wire Size	2050 CMA
Barrel Inside Diameter	3 mm[.117 in]
Terminal Material Thickness	.15 mm[.005 in]
Overall Product Length	12 mm[.472 in]

Usage Conditions

Insulation Option	Partially Insulated
Operating Temperature Range	105 °C[221 °F]

Operation/Application

Heavy Duty	No
------------	----

Packaging Features

Packaging Quantity	500
Packaging Method	Bag

Other

Barrel Color	Red
--------------	-----

Product Compliance

[For compliance documentation, visit the product page on TE.com>](#)

EU RoHS Directive 2011/65/EU	Compliant
EU ELV Directive 2000/53/EC	Compliant
China RoHS 2 Directive MIIT Order No 32, 2016	No Restricted Materials Above Threshold
EU REACH Regulation (EC) No. 1907/2006	Current ECHA Candidate List: JUNE 2022 (224) Candidate List Declared Against: JAN 2022 (223) SVHC > Threshold: Not Yet Reviewed
Halogen Content	Low Halogen - Br, Cl, F, I < 900 ppm per homogenous material. Also BFR/CFR/PVC Free
Solder Process Capability	Not applicable for solder process capability

Product Compliance Disclaimer




This information is provided based on reasonable inquiry of our suppliers and represents our current actual knowledge based on the information they provided. This information is subject to change. The part numbers that TE has identified as EU RoHS compliant have a maximum concentration of 0.1% by weight in homogenous materials for lead, hexavalent chromium, mercury, PBB, PBDE, DBP, BBP, DEHP, DIBP, and 0.01% for cadmium, or qualify for an exemption to these limits as defined in the Annexes of Directive 2011/65/EU (RoHS2). Finished electrical and electronic equipment products will be CE marked as required by Directive 2011/65/EU. Components may not be CE marked. Additionally, the part numbers that TE has identified as EU ELV compliant have a maximum concentration of 0.1% by weight in homogenous materials for lead, hexavalent chromium, and mercury, and 0.01% for cadmium, or qualify for an exemption to these limits as defined in the Annexes of Directive 2000/53/EC (ELV). Regarding the REACH Regulation, the information TE provides on SVHC in articles for this part number is based on the latest European Chemicals Agency (ECHA) 'Guidance on requirements for substances in articles' posted at this URL: <https://echa.europa.eu/guidance-documents/guidance-on-reach>

Compatible Parts



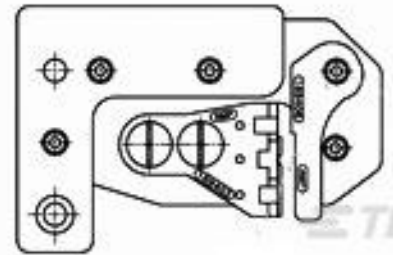
TE Part # 539660-1
ADERENDHUELSEN (Ferrule) Crimp Tool



TE Part # 7-1579014-0
HT FOR CABLE-END SLEEVES 0,08-10



TE Part # 1SET191003R0000
FER-SE-HT



TE Part # 2-1579001-3
CSE10-AE22 CRIMP HEAD

Customers Also Bought



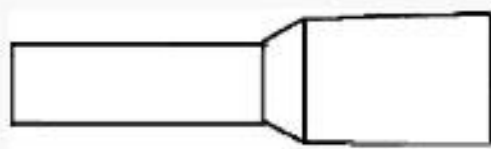
TE Part #1-1625971-4
HSA25 1K0 5%



TE Part #T2400001100-000
CSM-10



TE Part #160136
TERM, RING, PLASTI-GRIP, 16-14, M10



TE Part #966067-4
ADERENDHUELSE K GR



TE Part #42506-2
250 FASTON TAB TPBR



TE Part #2176343-3
CRGCQ 1206 15R 1%



TE Part #2176343-4
CRGCQ 1206 18R 1%



TE Part #160001
TERM,SOLIS R 2/0 M10



Documents

Product Drawings

[ADERENDHUELSE K RT](#)

English

CAD Files

[3D PDF](#)

English

[Customer View Model](#)

[ENG_CVM_966067-8_B1.2d_dxf.zip](#)

English

[Customer View Model](#)

[ENG_CVM_966067-8_B1.3d_igs.zip](#)

English

[Customer View Model](#)

[ENG_CVM_966067-8_B1.3d_stp.zip](#)

English

By downloading the CAD file I accept and agree to the [Terms and Conditions](#) of use.

Datasheets & Catalog Pages

[Wire Ferrules](#)

English

[WIRE END FERRULES](#)

English

Agency Approvals

[CSA Certificate](#)

English