

962189-1 ✓ ACTIVE

AMP | Junior Timer

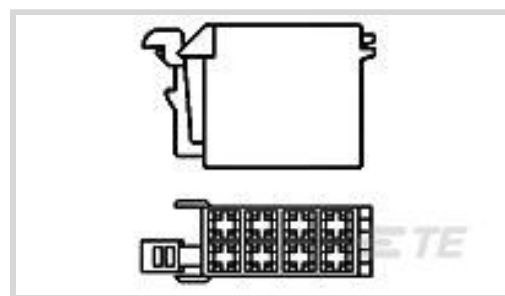
TE Internal #: 962189-1

Housing for Female Terminals, Wire-to-Board / Wire-to-Device, 8 Position, .197 in [5 mm] Centerline, Gray, Signal, Junior Timer

[View on TE.com >](#)



Connectors > Automotive Connectors > Connector Housings > TIMER, CONNECTOR HOUSING



Connector & Housing Type: **Housing for Female Terminals**

Mating Tab Width: 1.6 mm [.063 in]

Connector System: **Wire-to-Board, Wire-to-Device**

Number of Positions: 8

Centerline (Pitch): 5 mm [.197 in]

[All TIMER, CONNECTOR HOUSING \(543\)](#)

Features

Product Type Features

Connector & Housing Shape	Rectangular
Connector & Housing Type	Housing for Female Terminals
Connector System	Wire-to-Board, Wire-to-Device
Sealable	No
Hybrid Connector	No
Primary Locking Feature	On the Terminal

Configuration Features

Number of Positions	8
Number of Rows	2

Body Features

Cable Exit Angle	180°
Body Material	PA
Primary Product Color	Gray

Contact Features

Contact Size	2.8mm
Contact Type	Receptacle
Mating Tab Width	1.6 mm[.063 in]



Mechanical Attachment

Mounting Feature	Without
Terminal Position Assurance	No
Strain Relief	Without
Mating Alignment Type	Polarized
Mating Alignment	With
Connector Mounting Type	Cable Mount (Free-Hanging)

Housing Features

Centerline (Pitch)	5 mm [.197 in]
--------------------	----------------

Dimensions

Product Width	23 mm [.906 in]
Product Length	32 mm [1.26 in]
Product Height	12.6 mm [.496 in]
Row-to-Row Spacing	5 mm [.197 in]

Operation/Application

Circuit Application	Signal
---------------------	--------

Industry Standards

UL Flammability Rating	UL 94HB
------------------------	---------

Packaging Features

Packaging Method	Bag
------------------	-----

Other

Serviceable	No
Connector Position Assurance Capable	No

Product Compliance

[For compliance documentation, visit the product page on TE.com>](#)

EU RoHS Directive 2011/65/EU	Compliant
EU ELV Directive 2000/53/EC	Compliant
China RoHS 2 Directive MIIT Order No 32, 2016	No Restricted Materials Above Threshold
EU REACH Regulation (EC) No. 1907/2006	Current ECHA Candidate List: JUNE 2022 (224) Candidate List Declared Against: JUNE 2022 (224)



Does not contain REACH SVHC

Halogen Content

Low Halogen - Br, Cl, F, I < 900 ppm per homogenous material. Also BFR/CFR/PVC Free

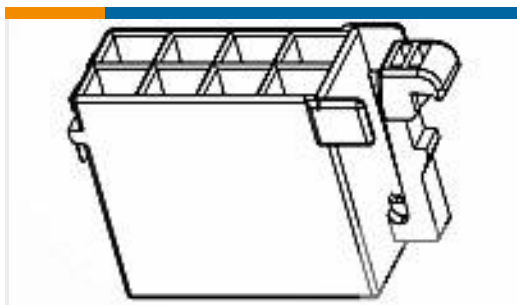
Solder Process Capability

Not applicable for solder process capability

Product Compliance Disclaimer

This information is provided based on reasonable inquiry of our suppliers and represents our current actual knowledge based on the information they provided. This information is subject to change. The part numbers that TE has identified as EU RoHS compliant have a maximum concentration of 0.1% by weight in homogenous materials for lead, hexavalent chromium, mercury, PBB, PBDE, DBP, BBP, DEHP, DIBP, and 0.01% for cadmium, or qualify for an exemption to these limits as defined in the Annexes of Directive 2011/65/EU (RoHS2). Finished electrical and electronic equipment products will be CE marked as required by Directive 2011/65/EU. Components may not be CE marked. Additionally, the part numbers that TE has identified as EU ELV compliant have a maximum concentration of 0.1% by weight in homogenous materials for lead, hexavalent chromium, and mercury, and 0.01% for cadmium, or qualify for an exemption to these limits as defined in the Annexes of Directive 2000/53/EC (ELV). Regarding the REACH Regulation, the information TE provides on SVHC in articles for this part number is based on the latest European Chemicals Agency (ECHA) 'Guidance on requirements for substances in articles' posted at this URL: <https://echa.europa.eu/guidance-documents/guidance-on-reach>

Compatible Parts



TE Part # 963120-1
8P JUNIOR TIMER HOUSING

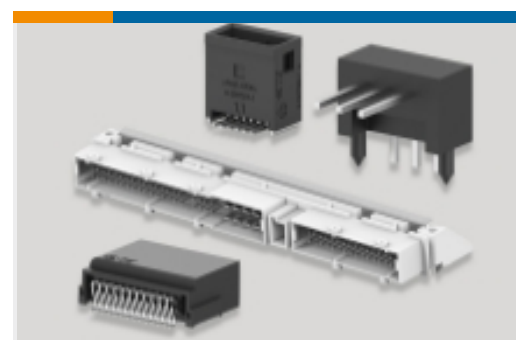
Also in the Series | Junior Timer



Automotive Housings(65)



Automotive Terminals(12)



PCB Headers & Receptacles(3)

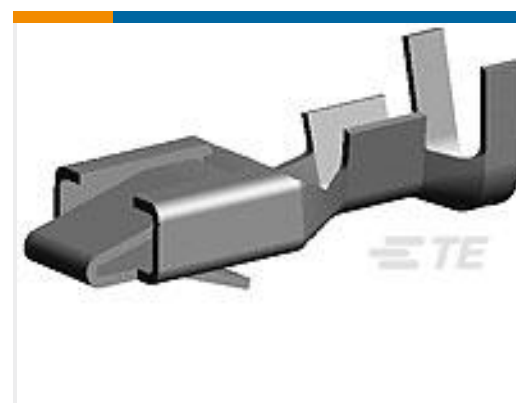
Customers Also Bought



TE Part #827249-2
TIMER, CONNECTOR HOUSING



TE Part #284159-1
12 POS. 070 RCPT.HSG. & SEC.LO



TE Part #640418-1
BLADE REC 250 18-14AWG BR



TE Part #1-1452920-1
COVER ASSY FOR 30 POS EPB CONN



TE Part #1991207-1
CLIP FOR 1WAY HF PLUG HSG



TE Part #YHC5933000000000000
BATTERY LEAD CONNECTOR.35MM.-
VE.M6 THRD.



TE Part #6-967587-3
6POS MQS TAB SEALED COD B



TE Part #5-1437710-8
NP1TA-0AR2XX=CONN. 2W MALE
NOW



TE Part #5039276092
DR-25-1/4-0-100MM

Documents

Product Drawings

8P JUNIOR-TIMER GH

English

CAD Files

Customer View Model

[ENG_CVM_962189-1_B1.3d_igs.zip](#)

English

Customer View Model

[ENG_CVM_962189-1_B1.3d_stp.zip](#)

English

Customer View Model

[ENG_CVM_962189-1_B1.2d_dxf.zip](#)

English

3D PDF

English

By downloading the CAD file I accept and agree to the [Terms and Conditions](#) of use.

Datasheets & Catalog Pages



Timer Interconnection System

English

Product Environmental Compliance

Product Compliance

English

Product Compliance

English