



SPLICE

TE Internal #: 928782-2

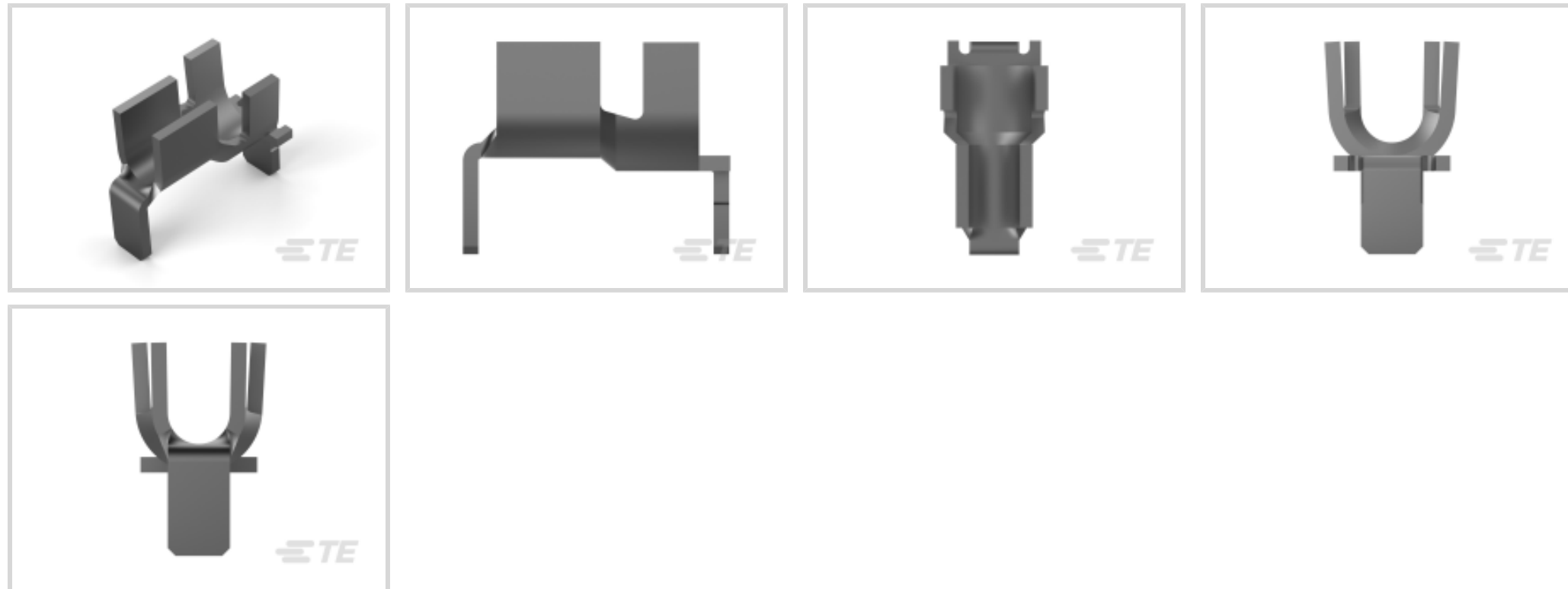
Crimp Wire Pins, Tabs & Ferrules, Tab, Tab Width 2.4 mm [.094 in],

Tab Thickness .023 in [.6 mm], 17 – 13 AWG Wire Size, 1 – 2.5 mm²

Wire Size, SPLICE

[View on TE.com >](#)

Terminals & Splices > Crimp Wire Pins, Tabs & Ferrules



Crimp Wire Pin, Tab & Ferrule Terminal Type: **Tab**

Tab Width: **2.4 mm [.094 in]**

Tab Thickness: **.6 mm [.023 in]**

Accepts Wire Insulation Diameter Range: **3.1 mm [.122 in]**

Wire Size: **17 – 13 AWG**

Features

Product Type Features

Compatible With Discrete Wire Type	Solid, Stranded
------------------------------------	-----------------

Configuration Features

Compatible With Wire & Cable Type	Discrete Wire
-----------------------------------	---------------

Contact Features

Crimp Wire Pin, Tab & Ferrule Terminal Type	Tab
Tab Thickness	.6 mm [.023 in]
Barrel Type	Open
Terminal Plating Material	Tin
Terminal Orientation	Straight

Mechanical Attachment

Wire Insulation Support	With
-------------------------	------

Dimensions

Tab Width	2.4 mm [.094 in]
-----------	------------------



Accepts Wire Insulation Diameter Range	3.1 mm[.122 in]
Wire Size	2000 – 5200 CMA
Barrel Inside Diameter	1.8 mm, 2.45 mm[.07 in][.096 in]
Terminal Material Thickness	.6 mm[.023 in]
Overall Product Length	10.76 mm[.423 in]

Usage Conditions

Insulation Option	Uninsulated
-------------------	-------------

Operation/Application

Heavy Duty	No
------------	----

Packaging Features

Packaging Method	Reel
------------------	------

Product Compliance

[For compliance documentation, visit the product page on TE.com>](#)

EU RoHS Directive 2011/65/EU	Compliant
EU ELV Directive 2000/53/EC	Compliant
China RoHS 2 Directive MIIT Order No 32, 2016	No Restricted Materials Above Threshold
EU REACH Regulation (EC) No. 1907/2006	Current ECHA Candidate List: JUNE 2022 (224) Candidate List Declared Against: JUL 2021 (219) SVHC > Threshold: Not Yet Reviewed
Halogen Content	Low Halogen - Br, Cl, F, I < 900 ppm per homogenous material. Also BFR/CFR/PVC Free
Solder Process Capability	Wave solder capable to 265°C

Product Compliance Disclaimer

This information is provided based on reasonable inquiry of our suppliers and represents our current actual knowledge based on the information they provided. This information is subject to change. The part numbers that TE has identified as EU RoHS compliant have a maximum concentration of 0.1% by weight in homogenous materials for lead, hexavalent chromium, mercury, PBB, PBDE, DBP, BBP, DEHP, DIBP, and 0.01% for cadmium, or qualify for an exemption to these limits as defined in the Annexes of Directive 2011/65/EU (RoHS2). Finished electrical and electronic equipment products will be CE marked as required by Directive 2011/65/EU. Components may not be CE marked. Additionally, the part numbers that TE has identified as EU ELV compliant have a maximum concentration of 0.1% by weight in homogenous materials for lead, hexavalent chromium, and mercury, and 0.01% for cadmium, or qualify for an exemption to these limits as defined in the Annexes of Directive 2000/53/EC (ELV). Regarding the REACH Regulation, the information TE provides on SVHC in articles for this part number is based on the latest European Chemicals Agency (ECHA) 'Guidance on requirements for substances in articles' posted at this URL: <https://echa.europa.eu/guidance-documents/guidance-on-reach>

Compatible Parts



TE Part # 2-2266355-2
OCEAN-2.0-APPLICATOR-S-130F180FA



TE Part # 2266355-2
OCEAN-2.0-APPLICATOR-S-130F180FA



TE Part # 7-2266355-2
OCEAN-2.0-APPLICATOR-S-130F180FA



KIT REPRESENTATION ONLY

TE Part # 7-2266355-7
OCEAN_2.0_SPARE_PART_KIT-130F180F

Also in the Series | SPLICE



Crimp Wire Pins, Tabs & Ferrules(1)



Splices(65)

Customers Also Bought



TE Part #343445-2
AMP-IN MINI (SPECIAL) 18.5-14 AWG



TE Part #2-1703498-1
2POS, MCON 1.2 LL TAB SEALED COD B



TE Part #1718762-3
MCON 1.2 LL TAB SWS AG



TE Part #154740-2
PIN .175 DIA REC 20-16AWG PB



TE Part #1633838-1
FLOATING SHEAR



TE Part #5-1333201-0
ANVIL, COMBINATION .055



TE Part #6-456408-2
CRIMPER,WIRE .110 F PREMIUM



CRIMPER REPRESENTATION ONLY

TE Part #7-1633860-4
CRIMPER, WIRE F



Documents

Product Drawings

SOLDER CONTACT 17-13 0.6MM TPBR

English

CAD Files

3D PDF

3D

Customer View Model

[ENG_CVM_CVM_928782-2_H.2d_dxf.zip](#)

English

Customer View Model

[ENG_CVM_CVM_928782-2_H.3d_igs.zip](#)

English

Customer View Model

[ENG_CVM_CVM_928782-2_H.3d_stp.zip](#)

English

By downloading the CAD file I accept and agree to the [Terms and Conditions](#) of use.

Product Specifications

Application Specification

English

Product Environmental Compliance

Product Compliance

English

Product Compliance

English