

SPECIFICATIONS

MXM Socket

Mechanical

Contact Retention Force: 0.10kg min.
Durability : 25 Cycles

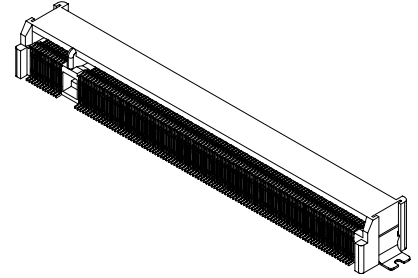
Electrical

Voltage Rating: 50V
Current Rating: 0.5A
Contact Resistance: 40mΩ max.
Dielectric Withstanding Voltage: 500V AC/1 min.
Insulation Resistance: 250MΩ

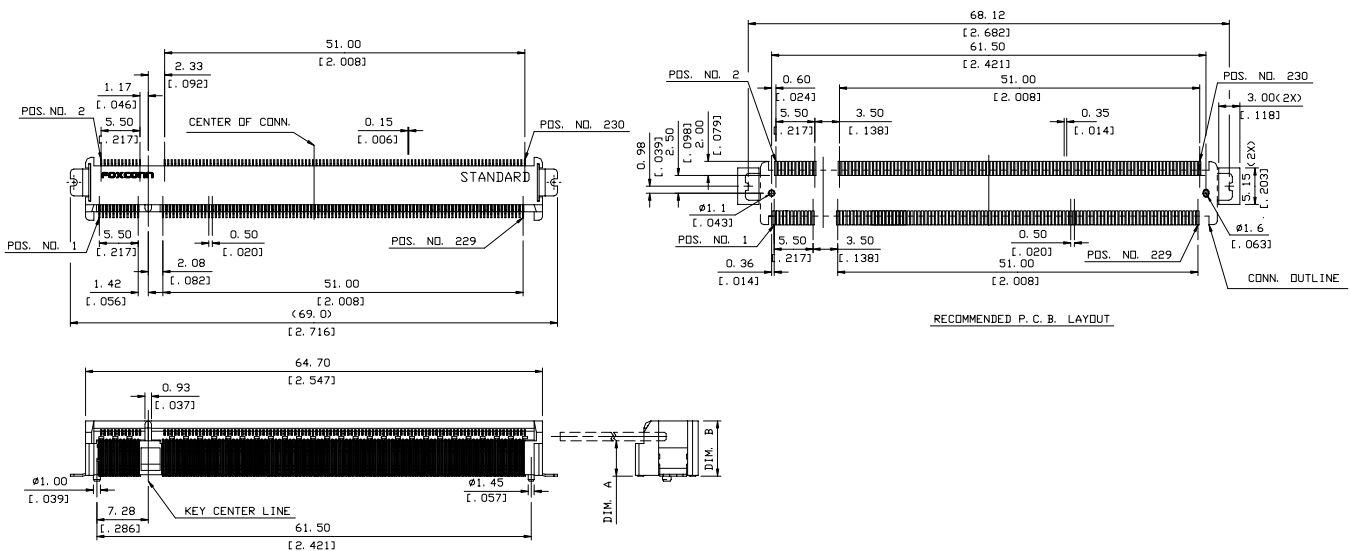
Physical

Housing: Thermoplastic, UL 94V-0 rated in Ivory Color
Contact: Copper alloy
Plating: See "ORDERING INFORMATION"
Metal Tab: Copper alloy
Operating Temperature: -40 to +85

AS0B3 Series
SMT Type
0.50mm [.020"] Pitch
230 Pos.



DRAWING



ORDERING INFORMATION

PRODUCT NO: AS0B326-S**N-7F

Single Row _____ Lead Free
 Position No. _____ Package
 B3=230Pos. _____ 7=Tape & Reel
 SMT Type _____ Height
 Contact Plating _____ 78= 7.8mm Height
 6=10u" min. Glod _____ 55= 5.5mm Height
 _____ 43= 4.3mm Height
 _____ Standard Type

P/N	DIM.A	DIM.B
AS0B326-S78N-7F	5.0 [.197]	7.8 [.307]
AS0B326-S55N-7F	2.7 [.106]	5.5 [.217]
AS0B326-S43N-7F	1.5 [.059]	4.3 [.169]